

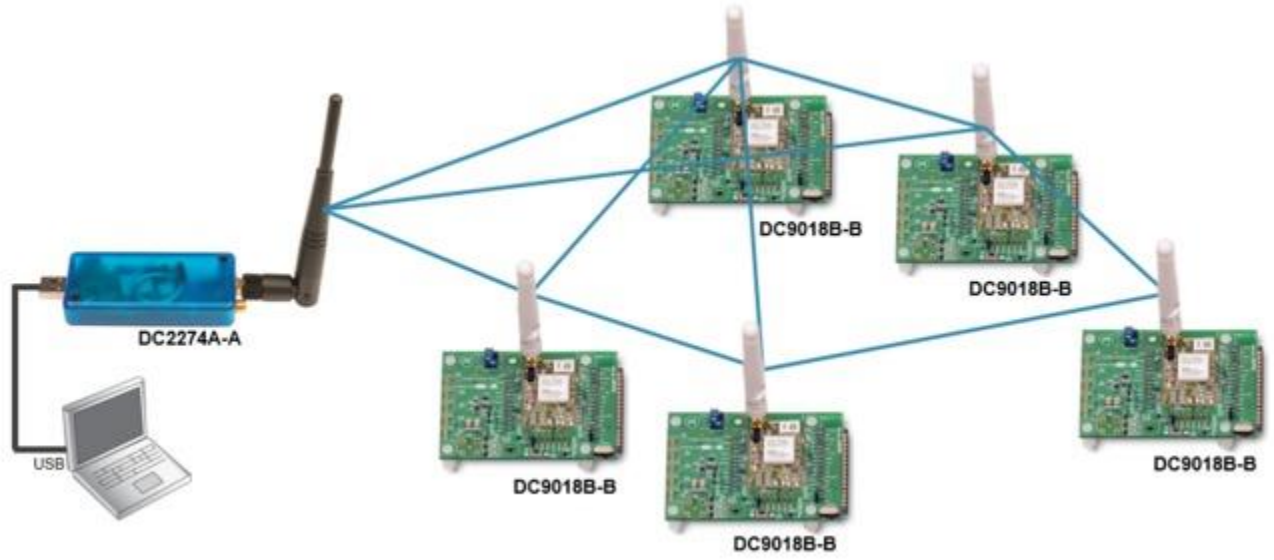


## DC2274A-A - SmartMesh IP USB Network Manager, 100 mote capacity



DC2274A-A SmartMesh IP USB Network Manager

The DC2274A-A USB demo board serves as a network manager for a [SmartMesh IP™ wireless sensor network](#). With its compact USB dongle form factor, the DC2274A-A, along with SmartMesh IP wireless nodes, makes it easy to rapidly deploy a wireless mesh network for field trials and to accelerate sensor product development. DC2274A-A SmartMesh IP USB Manager incorporates the LTP5902-IPM SmartMesh IP Module, running EManager firmware with 100 mote network capacity, and provides a USB connection for both power and software access to the manager API UART and CLI UART ports. The DC2274A-A USB Network Manager is available individually or as part of the [DC9021B SmartMesh IP Starter Kit](#), which includes five wireless mesh nodes. With a SmartMesh IP Starter Kit, a user can setup a wireless mesh network in minutes and quickly evaluate the network performance in their own application environment.



*DC2274A-A Network Manager in the DC9021B Starter Kit*

