



DC2274A-B - SmartMesh IP USB Access Point Mote

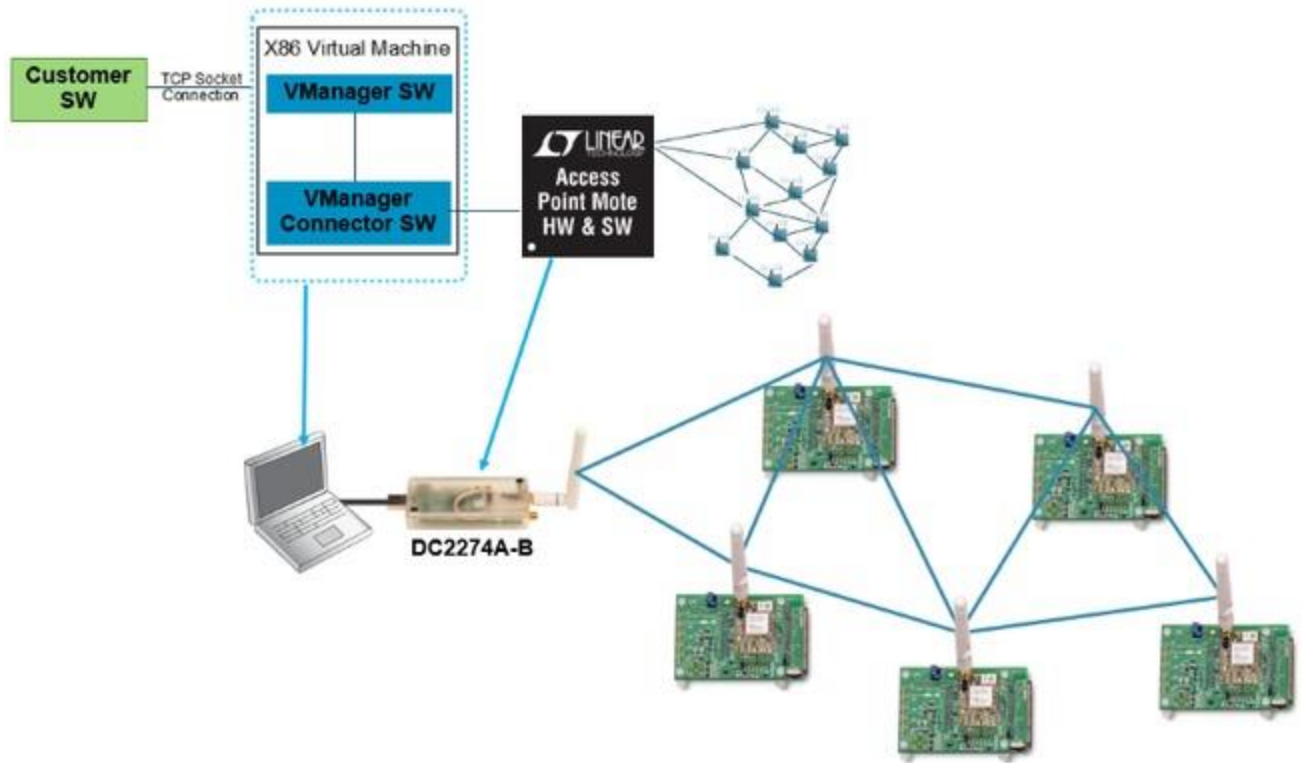


DC2274A-B SmartMesh IP USB Access Point Mote

The DC2274A-B USB dongle demo board which serves as an Access Point Mote, connecting a SmartMesh IP™ wireless sensor network with a VManager network manager. VManager is a software-based manager that enables:

- Large Networks – thousands of nodes
- Increased Bandwidth through Multiple Access Points
- Hot Failover Gateway Redundancy

The DC2274A-B SmartMesh IP USB Manager incorporates the LTP5902-IPM SmartMesh IP Module, pre-programmed with SmartMesh IP Access Point Mote software. It provides a USB connection for both power and software access to the Access Point Mote API UART and CLI UART ports. The DC2274A-B is available individually or as part of the [DC9021B SmartMesh IP Starter Kit](#), which includes five wireless mesh nodes. With a SmartMesh IP Starter Kit, a user can setup a wireless mesh network in minutes and quickly evaluate the network performance in their own application environment.



Typical VManager Setup with DC9021B