

Alligator Clip w/4mm Female Banana Jack



**RoHS
Compliant**



Applications

To grasp conductive parts safely to measure voltages.
General purpose electric and electronic testing, controlling and measuring.

Characteristics

Electrical Safety

: According to EN / IEC 61010-031:2008. 1000V CAT II / 1000V CAT III / 600V CAT IV, reinforced insulation, 6A (at +40°C).

These specifications come from the creepage distances, clearances, accessible parts, and solid insulation of the clip. And the considered specifications of the environment are:

Pollution degree, 1 or 2 ; Relative humidity, 80% maximum for temperatures up to 31°C decreasing linearly to 50% relative humidity at +40°C

Temperature range, +5°C to +40°C, Indoor use ; Altitude, 2000 m maximum.

Barriers. Keep behind these barriers to operate safely the lead while connecting to hazardous live voltages (more than 33V AC and 70V DC).



Operating Temperature

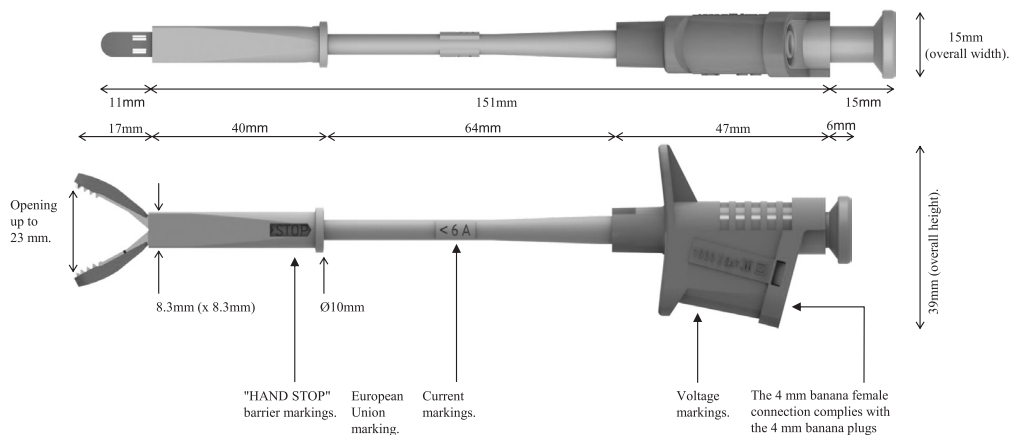
: -20°C to +80°C

Materials

: Conductors: Nickel-coated steel, and brass.

Colour

: Blue



Part Number Table

| Description | Colour | Part Number |
|---|--------|-------------|
| Alligator Clip w/4mm female Banana Jack (socket), flexible shaft. | Blue | 76-1572 |

Important Notice : This data sheet and its contents (the "Information") belong to the members of the Premier Farnell group of companies (the "Group") or are licensed to it. No licence is granted for the use of it other than for information purposes in connection with the products to which it relates. No licence of any intellectual property rights is granted. The Information is subject to change without notice and replaces all data sheets previously supplied. The Information supplied is believed to be accurate but the Group assumes no responsibility for its accuracy or completeness, any error in or omission from it or for any use made of it. Users of this data sheet should check for themselves the Information and the suitability of the products for their purpose and not make any assumptions based on information included or omitted. Liability for loss or damage resulting from any reliance on the Information or use of it (including liability resulting from negligence or where the Group was aware of the possibility of such loss or damage arising) is excluded. This will not operate to limit or restrict the Group's liability for death or personal injury resulting from its negligence. Tenma is the registered trademark of the Group. © Premier Farnell Limited 2016.

