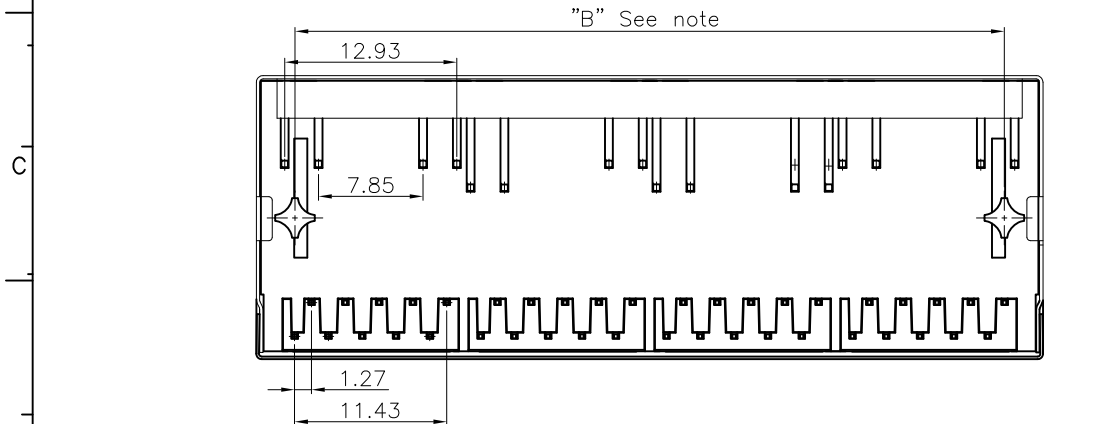
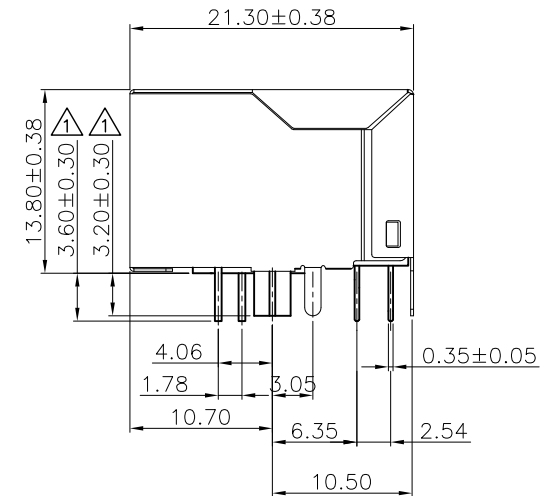
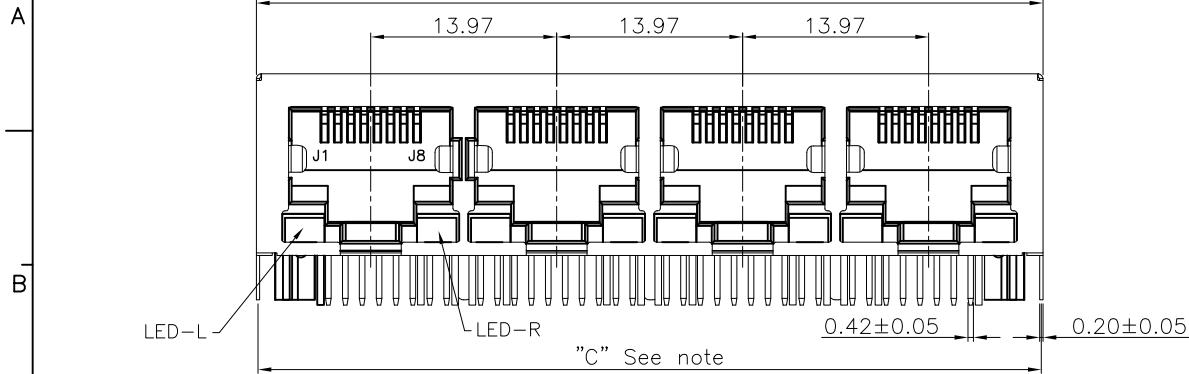


RoHS compliant

REV.	ZONE	LTR	DESCRIPTION	DATE	REVISER	APPD.
0.1	/	△	NEW DESIGN	1/10-17	Geneli	Corey
0.2	/	△	TERMINAL SOLDER LENGTH CHANGE	3/15-17	Geneli	Corey

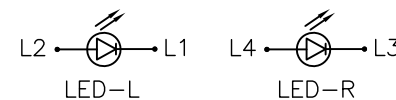


NOTE:

PORTS	A	B	C
2 Ports	31.1±0.38	25.4	29.9
4 Ports	59.0±0.38	53.3	58.8

MATERIAL AND FINISH:

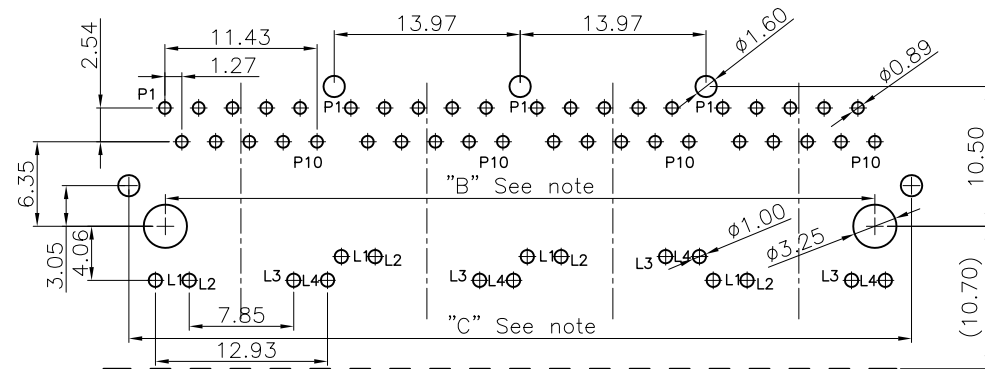
- 1.HOUSING:THERMOPLASTIC PLASTIC,BLACK,UL94 V-0
- 2.CASE:HIGH-TEMPERATURE PLASTIC,BLACK,UL94 V-0
- 3.INPUT CONTACT:COPPER ALLOY,T=0.35MM,SOLDER AREA:SN 80U"MIN.
- 4.OUTPUT CONTACT:COPPER ALLOY,T=0.35MM,CONTACT AREA:G/F



PART NO. 26LM1W-3C401-000

MATERIAL: 	TOLERANCE UNLESS SPECIFIED: .000 ± 0.15 .00 ± 0.25 .0 ± 0.35 ± 0.50 ANGLE ± 2.0°	SCALE: 1:1 UNIT: mm	
	FINISH: 		DRAWN: Geneli 3/15-17 DESIGNER: Geneli CHECKED: Geneli APPROVED: Corey

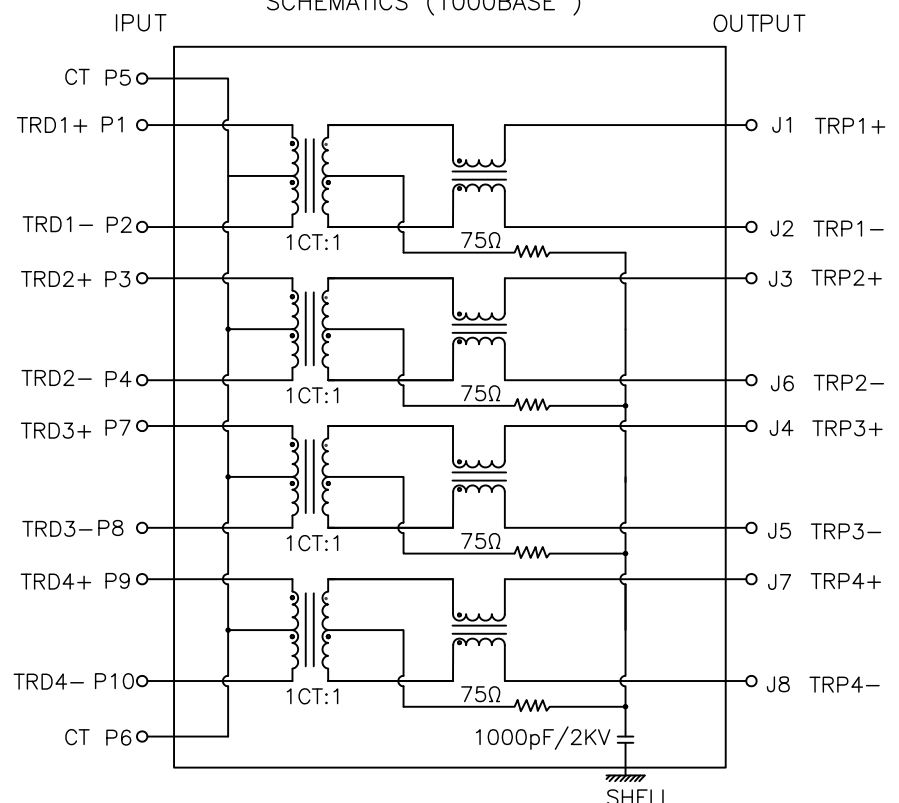
Recommended PCB Layout
(T=1.60mm,Tol:±0.05,)



RoHS compliant

REV.	ZONE	LTR	DESCRIPTION	DATE	REVISER	APPD.
0.1	/	/	NEW DESIGN	1/10-17	Geneli	Corey
0.2	/	△	TERMINAL SOLDER LENGTH CHANGE	3/15-17	Geneli	Corey

SCHEMATICS (1000BASE)



SPECIFICATIONS:

1. MEETS IEEE 802.3 & ANSI X 3.263 STANDARDS;
WAVE SOLDER TEMPERATURE CAPABLE 245±5°C;
OPERATING TEMPERATURE: 0°C TO +75°C;
STORAGE TEMPERATURE: -40°C TO +85°C;
2. DURABILITY: 750 CYCLES;
3. ELECTRICAL CHARACTERISTICS (Test Temperature 25±5°C)
CONTACT RESISTANCE: 30MΩ; INSULATION RESISTANCE: 500MΩ;
4. TRANSMITTER FILTER & RECEIVER FILTER
 - 4.1 TYPE: BALANCE LOW PASS 100Ω IMPEDANCE;
 - 4.2 INSERTION LOSS: 1MHz~100MHz -1.0dB MAX.;
 - 4.3 RETURN LOSS: 1MHz~30MHz -18dB MIN. LOAD 100Ω;
30MHz~60MHz -16dB MIN. LOAD 100Ω;
60MHz~80MHz -12dB MIN. LOAD 100Ω;
 - 4.4 CROSS TALK: 1MHz~100MHz -30dB MIN.;
 - 4.5 COMMON MODE REJECTION: 1MHz~100MHz -30dB MIN.;
 - 4.6 INDUCTANCE@100KHz, 100mV, 8mA, Dc Bias 350uH MIN.;

4.7 HIPOT TEST:
INPUT TO OUTPUT: 1500V AC OR 2250V DC @60S;

ORDERING INFORMATION:

26 L M 1 W - 3 C 4 0 1 - 000
(1)(2)(3)(4) (5) (6) (7) (8) (9)(10) (11)

1. SERIES NUMBER
26:RJ JACK TYPE CONN
2. PCB MOUNTED TYPE
L:RIGHT ANGLE TAB DOWN DIP TYPE
3. BODY STRUCTURE CODE
M:WITH SHELL TYPE
4. CONTACT TYPE CODE
1:10P-8C
5. FILTER CODE
W:1000BASE-TX
6. COLOR CODE
3:BLACK
7. CONTACT FINISH
C:GOLD/FLASH PLATING OVER NICKEL
8. NUMBER PORT CODE
4: 4 PORTS
9. GROUND TYPE CODE
0. WITHOUT TOP&SIDE GROUND T
10. LED TYPE CODE
1:WITH LED, LIFT GREEN RIGHT YELLOW
11. SUFFIX NO.1
000:WITHOUT LOGO AND D/C

PART NO. 26LM1W-3C401-000

MATERIAL: 	TOLERANCE UNLESS SPECIFIED:		 SCALE: 1:1 UNIT: mm 	SHEET: 2/2	
	.000 ± 0.15	DRAWN: Geneli 3/15-17			
	.00 ± 0.25				DESIGNER: Geneli
	.0 ± 0.35				
ANGLE ± 2.0°	APPROVED: Corey	NAME: RJ45 Receptacle R/A Tabdown W/F 10/100/1000M Shielded With LED	REV.: 0.2		