

Data sheet

Connection line M12-jack - RJ45-plug 8-pole X-coded 2.0 m

Page 1/6

P/N

142M2X25020

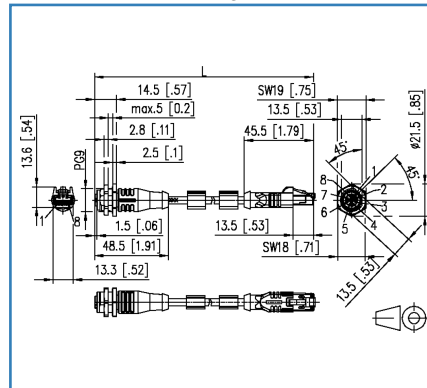
EAN 4251122182969

2017-30-03

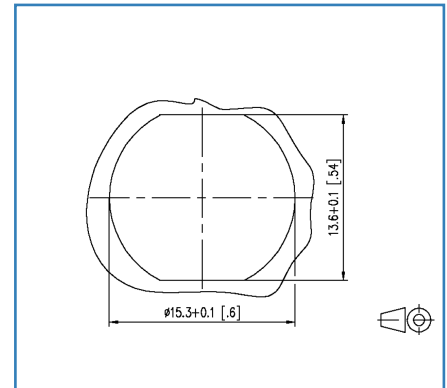
Illustrations



Dimensional drawing



Cut-out



See enlarged drawings at the end of document

Product specification

- shielded M12-jack to RJ45-plug connection line
- Cat.6, 8-pole
- M12-jack X-coded to RJ45-connector
- connectors over molded
- stranded wires 4x2xAWG26/7 PiMF
- overall shield tinned copper braid
- pin assignment per T568B
- green cable, PUR
- standard variants: 1.0 m, 2.0 m, 5.0 m, 10.0 m
- other cable lengths on request

Data sheet

Page 2/6

Connection line M12-jack - RJ45-plug 8-pole X-coded 2.0 m

P/N

142M2X25020

EAN 4251122182969

2017-30-03

Technical Data

General Data

Fields of application	Industrial Ethernet
Design	Ethernet-Connection line
Shielding	shielded
Transmission technology	Copper
Cable Type	S/FTP
Number of twisting elements	4
Twisting element	Pair
Wiring	T568B
Color	green
Dimensions	
Dimension - Interface 1 (L x W x H)	45.50 x 13.30 x 13.60 mm
Dimension - Interface 1 (L x W x H)	1.791 x 0.524 x 0.535 in.
Dimension - Interface 2 (L x W x H)	48.50 x 19.05 x 21.50 mm
Dimension - Interface 2 (L x W x H)	1.909 x 0.75 x 0.846 in.
Cable length (m)	2.00 m
Cable length (ft)	6.56 ft
Labeling option	identification label carrier

Transmission characteristics

Category (ISO)	6
Transmission rate up to 1 GBit (Fast Ethernet)	IEEE 802.3ab

Connections/interfaces

Connector technology interface 1	RJ45 plug
Connector technology interface 2	M12-jack
Coding interface 2	X-coded
Number of positions/contacts interface 1	8P/8C
Number of positions/contacts interface 2	8
Termination data, stranded wire (min. - max.)	
Conductor cross section, stranded wire	AWG 26/7
Conductor cross section, stranded wire	0.141 mm ²
Conductor diameter, stranded wire (bare copper)	0.483 mm
Conductor diameter, stranded wire (bare copper)	0.019 in.



Data sheet

Page 3/6

Connection line M12-jack - RJ45-plug 8-pole X-coded 2.0 m

P/N

142M2X25020

EAN 4251122182969

2017-30-03

Technical Data

Electrical characteristics

Through resistance	max. 5 mOhm
Insulation resistance	min. 10 ⁸ MOhm

Materials and material properties

Material - Conductor	Cu (copper)
Material - Cable jacket	PUR
Material - Plug housing interface 1	PVC (polyvinyl chloride)
Material - Body interface 2	Plastics
Material - Contact interface 1	CuSn (tin bronze)
Material - Contact interface 2	CuZn (brass)
Material - Contact finish interface 2	Au (gold)
Material - Contact carriers interface 2	Plastics
Material - Union nut interface 2	CuZn (brass)
Material - Union nut finish interface 2	Ni (nickel)
Material - Shield interface 1	CuSn (tin bronze)
Material - Main shield	Cu (copper) braid
Material - Main shield finish	Sn (tin)
Flame retardancy	yes

Environmental conditions

Temperature (min. - max.)	
Temperature - Storage °C	-20 - 75 °C
Temperature - Storage °F	-4 - 167 °F
Temperature - Operating °C	-20 - 75 °C
Temperature - Operating °F	-4 - 167 °F
Temperature - Installation °C	-20 - 60 °C
Temperature - Installation °F	-4 - 140 °F
Particulate ingress interface 1	IP2X
Liquid ingress/immersion interface 1	IPX0
Particulate ingress interface 2	IP6X when plugged in
Liquid ingress/immersion interface 2	IPX7 when plugged in
Pollution degree interface 1	1
Pollution degree interface 2	3

Data sheet

Page 4/6

Connection line M12-jack - RJ45-plug 8-pole X-coded 2.0 m

P/N

142M2X25020

EAN 4251122182969

2017-30-03

Technical Data

Approvals

RoHS compliant

The product meets the following standards

Generic cabling systems

General requirements ISO/IEC 11801-1 | DIN EN 50173-1

Multi-element metallic cables used in analogue and digital communication and control DIN EN 50288-4-1

Prüfung der vertikalen Flammenausbreitung an einer Ader, einer isolierten Leitung oder einem Kabel DIN EN 60332-1-2

Measurement of smoke density of cables burning DIN EN 61034

Classifications

ETIM 6.0 EC002599

Packing details

Type of packaging 1 pc(s) / plastic bag



Data sheet

Page 5/6

Connection line M12-jack - RJ45-plug 8-pole X-coded 2.0 m

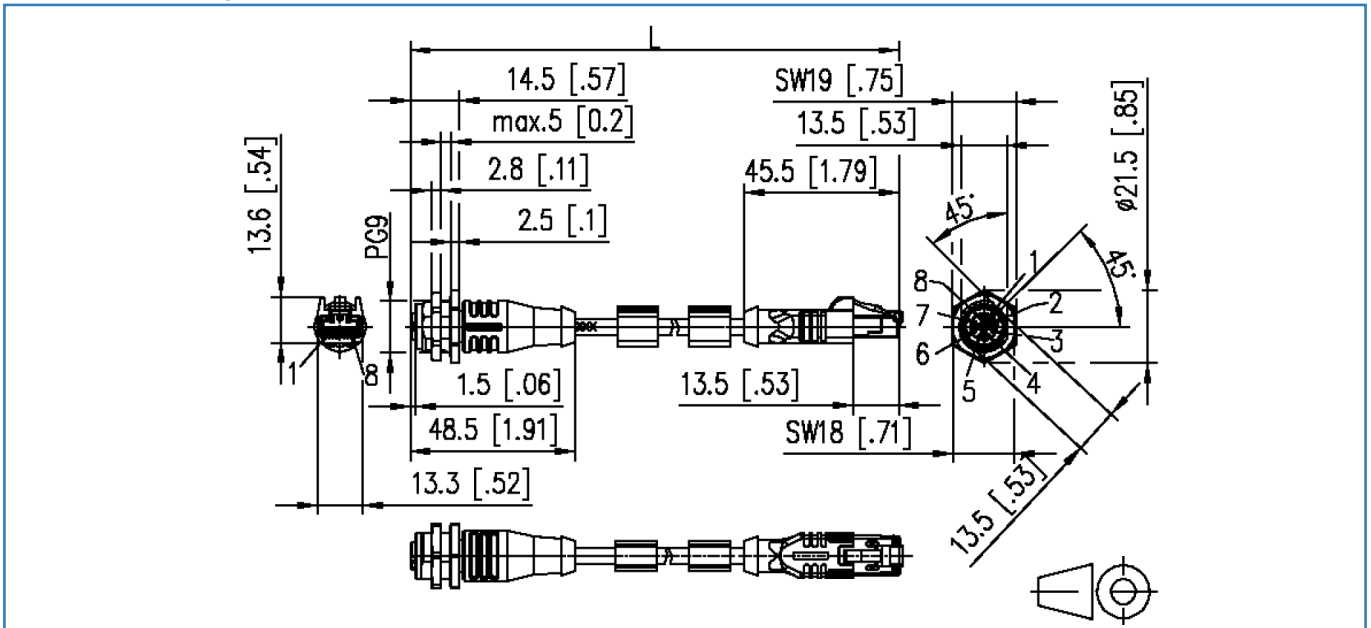
P/N
142M2X25020

EAN 4251122182969

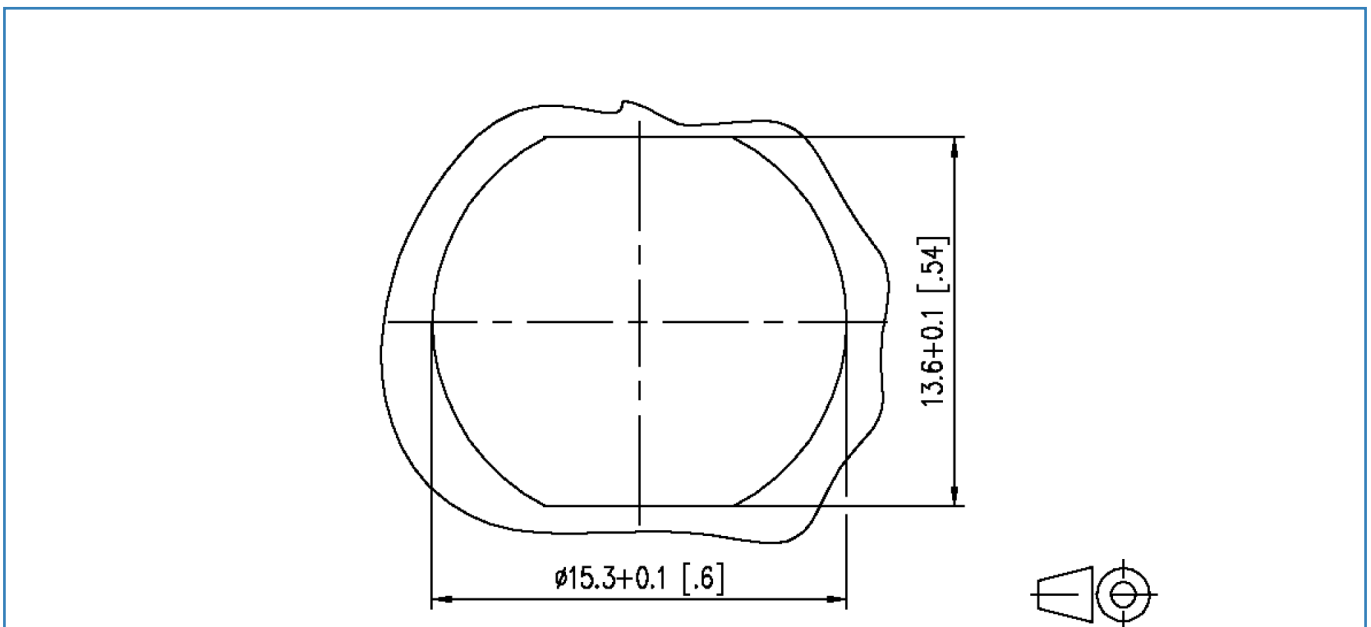
2017-30-03

Illustrations

Dimensional drawing



Cut-out



Data sheet

Page 6/6

Connection line M12-jack - RJ45-plug 8-pole X-coded 2.0 m

P/N

142M2X25020

EAN 4251122182969

2017-30-03

Illustrations

Wiring

