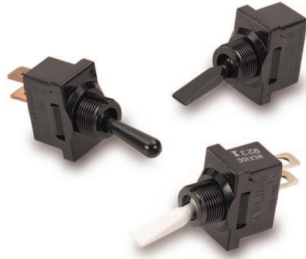


D-Series Single Pole Toggle Switches



The D-Series single pole compact high current toggle switches are ideal for applications with back panel size constraints. These switches feature self-cleaning contacts and ratings up to 20A 125VAC, 10A 250VAC, 1 1/2 HP 125-250VAC. With an economical double insulated all-nylon construction, these switches figure prominently in the Environmental Controls, Marine, Food Service, Vacuum Cleaner and various other general purpose markets with stringent current carrying requirements.

Dielectric Strength

UL/CSA: 1000V - live to dead metal parts & opposite polarity
TUV: 4000V - live to dead metal parts; 750V - across open contacts

Electrical Life

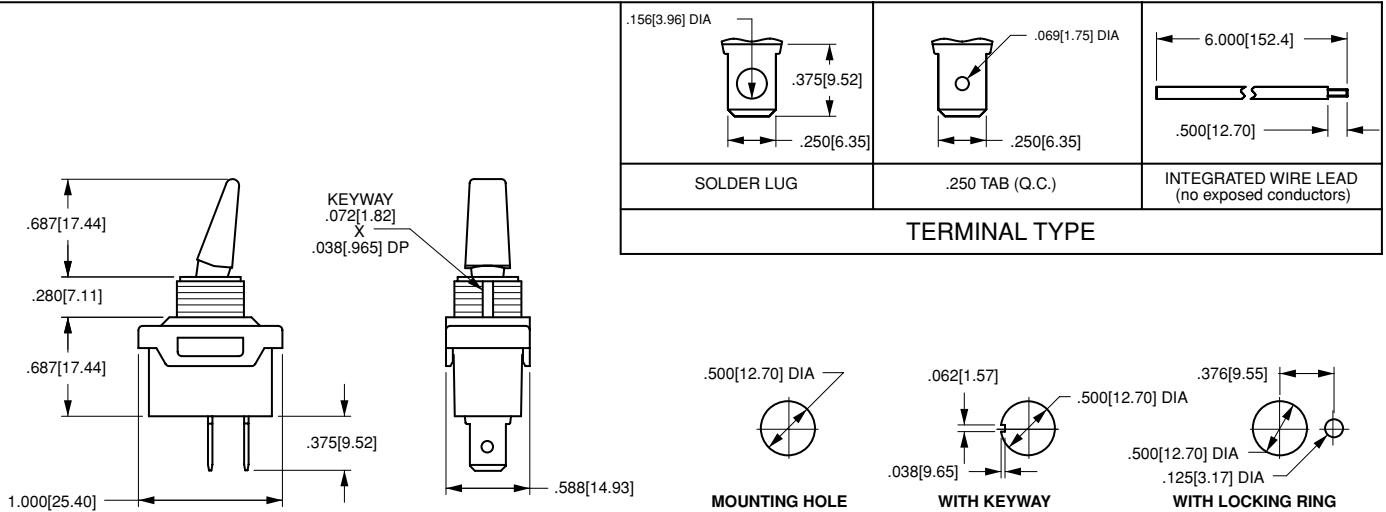
50,000 cycles

Mechanical Life

100,000 cycles

Operating Temperature

32°F to 185°F (0°C to 85°C)



DA221 - P - B - B

1 Base Part Number

2 Actuator Style

3 Actuator Color

4 Bushing Color

1 BASE PART NUMBER: SERIES/CIRCUITRY/RATING/TERMINATION

10A 250VAC, 20A 125VAC, 1 1/2 HP 125-250VAC

	solder lug	.250 tab	wire leads
OFF-NONE-ON	DA220	DA221	DA225
ON-NONE-ON	DB220	DB221	DB225
ON-OFF-ON	DC220	DC221	DC225

5A 250VAC, 10A 125VAC, 1/2 HP 125-250VAC, 4(4) 250VAC_U TUV approved

ON-NONE-OFF	wire leads
	DA945 ¹

2 ACTUATOR STYLE

B	bat	P	paddle
---	-----	---	--------

3 ACTUATOR COLOR²

B	black	W	white
---	-------	---	-------

4 BUSHING COLOR²

B	black	W	white
---	-------	---	-------

NOTES

- Available with wire leads and ON-OFF circuit only.
- Additional colors available. Please consult factory.