

PLEASE CHECK WWW.MOLEX.COM FOR LATEST PART INFORMATION

Part Number: [0351800400](#)
Status: **Active**
Description: 1.78mm Tab Multiple Wire-to-Wire Male Housing with Ear, 4 Circuits, Vertical, Polyester UL94V-0, Natural

Documents:

[3D Model](#) [Packaging Specification PK-35180-001-001 \(PDF\)](#)
[Drawing \(PDF\)](#) [RoHS Certificate of Compliance \(PDF\)](#)
[Product Specification PS-35180-002 \(PDF\)](#)

Agency Certification

CSA LR19980
 UL E29179

General

Product Family Crimp Housings
 Series [35180](#)
 Application Power, Wire-to-Wire
 Comments Polarized to Mating Part
 Product Name N/A
 UPC 800754249805

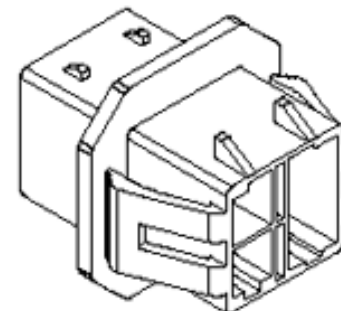
Physical

Breakaway No
 Circuits (maximum) 4
 Color - Resin Natural
 Flammability 94V-0
 Gender Male
 Glow-Wire Compliant No
 Keying to Mating Part None
 Lock to Mating Part Yes
 Material - Resin Polyester
 Net Weight 5.866/g
 Number of Rows 2
 Packaging Type Bag
 Panel Mount Yes
 Pitch - Mating Interface 8.00mm, 8.70mm
 Stackable No
 Temperature Range - Operating -40°C to +120°C

Material Info

Reference - Drawing Numbers

Packaging Specification PK-35180-001-001
 Product Specification PS-35180-002
 Sales Drawing SD-35180-040*



Series image - Reference only

EU ELV

Not Relevant

EU RoHS

Compliant

REACH SVHC

Not Contained Per
 -ED/01/2017 (12
 January 2017)

Halogen-Free

Status

Not Low-Halogen

Need more information on product environmental compliance?

Email productcompliance@molex.com
 Please visit the [Contact Us](#) section for any non-product compliance questions.

China ROHS	Green Image
ELV	Not Relevant
RoHS Phthalates	Not Contained

Search Parts in this Series

[35180](#) Series

Mates With

[35181](#) Wire-to-Wire Female Housing

Use With

[35745](#) Crimp Terminal, [35746](#) Crimp Terminal, [35747](#) Crimp Terminal, [35748](#) Crimp Terminal