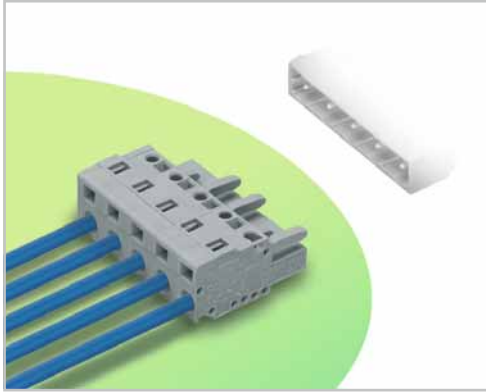


Female Connectors

Pin Spacing: 7.5 mm, 7.62 mm

MCS MIDI Classic



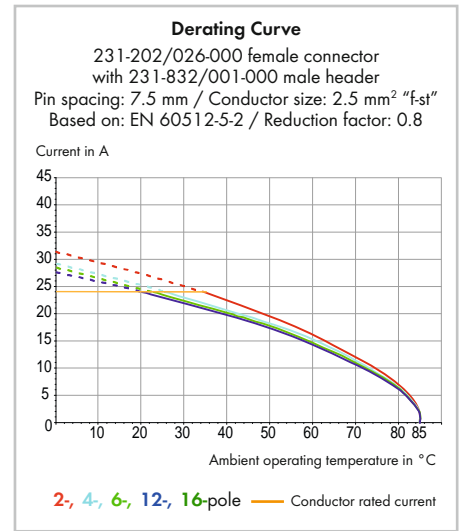
- Universal connection for all conductor types
- Easy cable pre-assembly and on-unit wiring via vertical and horizontal CAGE CLAMP® actuation
- With coding fingers
- Integrated test ports

Technical data:	Straight female connectors:			Angled female connectors:		
	7.5 mm/7.62 mm 0.295 in./0.3 in.			7.5 mm/7.62 mm 0.295 in./0.3 in.		
Ratings per	IEC/EN 60664-1			IEC/EN 60664-1		
Overtoltage category	III	III	II	III	III	II
Pollution degree	3	2	2	3	2	2
Rated voltage	500 V	630 V	1000 V	500 V	630 V	1000 V
Rated surge voltage	6 kV	6 kV	6 kV	6 kV	6 kV	6 kV
Nominal current	16 A	16 A	16 A	14 A	14 A	14 A
Approvals per	UL/CSA			UL/CSA		
Use group UL 1059	B	C	D	B	C	D
Rated voltage	300 V	-	300 V	300 V	-	300 V
Nominal current UL	15 A	-	10 A	15 A	-	10 A
Nominal current CSA	15 A	-	10 A	15 A	-	10 A

The MCS MIDI connection system is UL 1977 approved and capable of up to 600 V for factory wiring.

Conductor data:	
Connection technology	CAGE CLAMP®
Conductor size: solid	0.08 ... 2.5 mm ²
Conductor size: fine-stranded	0.08 ... 2.5 mm ²
Conductor size: fine-stranded	0.25 ... 1.5 mm ² (with insulated ferrule)
Conductor size: fine-stranded	0.25 ... 2.5 mm ² (with uninsulated ferrule)
AWG	28 ... 12 12: THHN, THWN
Strip length	8 ... 9 mm / 0.31 ... 0.35 in.

Material data:	
Material group	I
Insulating material	Polyamide 66 (PA 66)
Flammability class per UL 94	V0
Lower/Upper limit temperature	-60 °C / +85 °C
Clamping spring material	Chrome nickel spring steel (CrNi)
Contact material	Copper alloy
Contact plating	tin-plated
MCS connectors are also available upon request with gold-plated or partially gold-plated contact surfaces.	
Depending on the version requested, "item no. suffix ... /010-000" is added to the "basic item no."	

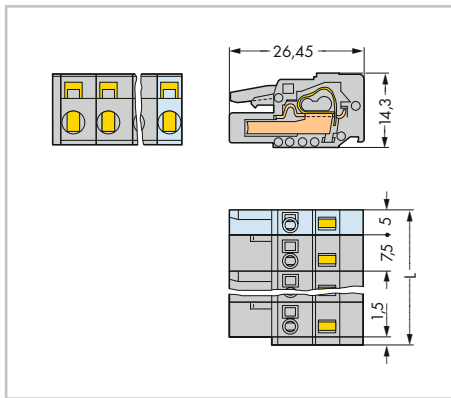
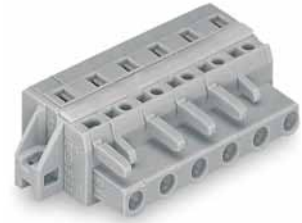


MCS MIDI accessories:	Page:
Marking accessories	570
Operating tools	470
Direct marking	362
Insulation stop	473
Test plug adapter	478
Test plug	568
Screws	576
Strain relief housings	476
Strain relief plates	474

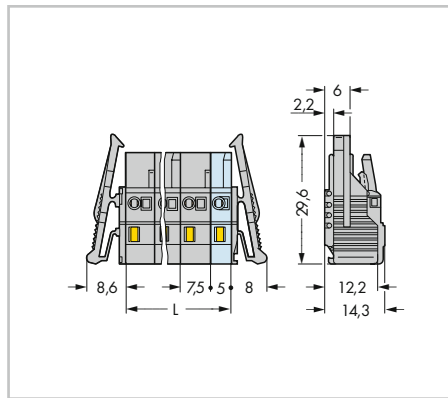
MCS - MULTI CONNECTION SYSTEM includes connectors without breaking capacity in accordance with DIN EN 61984.
When used as intended, these connectors shall not be connected/disconnected when live or under load. The circuit design should ensure header pins, which can be touched, are not live when unmated.

Female Connectors MCS MIDI Classic

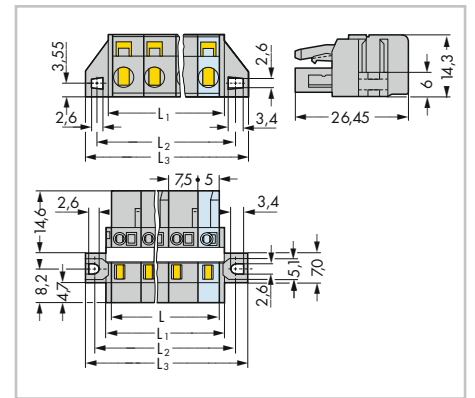
Pin spacing: 7.5 mm / 0.295 in.		With locking levers Pin spacing: 7.5 mm / 0.295 in.		With fixing flanges, for racks and through-panel mounting Pin spacing: 7.5 mm / 0.295 in.	
0.08 ... 2.5 mm ²	28 ... 12 AWG	0.08 ... 2.5 mm ²	28 ... 12 AWG	0.08 ... 2.5 mm ²	28 ... 12 AWG
630 V/6 kV/2 16 A	300 V/15 A	630 V/6 kV/2 16 A	300 V/15 A	630 V/6 kV/2 16 A	300 V/15 A



$$L = (\text{pole no.} - 1) \times \text{pin spacing} + 5 \text{ mm} + 1.5 \text{ mm}$$



$$L = (\text{pole no.} - 1) \times \text{pin spacing} + 5 \text{ mm}$$



$$L = (\text{pole no.} - 1) \times \text{pin spacing} + 5 \text{ mm}$$

$$L_1 = L + 3 \text{ mm}$$

$$L_2 = L + 8.8 \text{ mm}$$

$$L_3 = L + 14.8 \text{ mm}$$

Pole No.	Item No.	Pack. Unit	Pole No.	Item No.	Pack. Unit	Pole No.	Item No.	Pack. Unit
Female connector, gray			Female connector with locking levers, gray			Female connector with fixing flanges, for racks and through-panel mounting, with reinforcing strips, gray		
2	231-202/026-000	100	2	231-202/037-000	50	2	231-202/031-000	50
3	231-203/026-000	100	3	231-203/037-000	50	3	231-203/031-000	50
4	231-204/026-000	50	4	231-204/037-000	50	4	231-204/031-000	50
5	231-205/026-000	50	5	231-205/037-000	50	5	231-205/031-000	50
6	231-206/026-000	50	6	231-206/037-000	25	6	231-206/027-000	25
7	231-207/026-000	50	7	231-207/037-000	25	7	231-207/027-000	25
8	231-208/026-000	25	8	231-208/037-000	25	8	231-208/027-000	25
9	231-209/026-000	25	9	231-209/037-000	25	9	231-209/027-000	25
10	231-210/026-000	25	10	231-210/037-000	25	10	231-210/027-000	25
11	231-211/026-000	25	11	231-211/037-000	10	11	231-211/027-000	10
12	231-212/026-000	25	12	231-212/037-000	10	12	231-212/027-000	10
13	231-213/026-000	10	13	231-213/037-000	10	13	231-213/027-000	10
16	231-216/026-000	10	16	231-216/037-000	10	16	231-216/027-000	10
2-to 3-pole female connectors - one latch only						Item no. for 2- to 5-pole female connectors are identical to item nos. for Panel Mounting.		
						For cutout dimensions, see page 488, Table 1.		