

C2 Emergency Stop Switch

**RoHS
Compliant**



Specifications

| | |
|--------------------------|----------------------------|
| Mechanical Life | : >0.25 million operations |
| Electrical Life | : >0.1 million operations |
| Rated Insulation Voltage | : 300V |
| Rated Thermal Current | : 5A |
| Insulation Resistance | : 100MΩ |
| Dielectric Strength | : 2,000V AC, 1 minute |
| Panel Thickness | : 0.8mm to 12mm |
| Degree of protection | : IP65 |
| Storage Temperature | : -45°C to +85°C |
| Operating Temperature | : -25°C to +55°C |

Contact Ratings (B300/R300)

| | | | | | |
|--------------------------|------------------------|------|-----|-------|-------|
| Rated Insulation Voltage | | 300V | | | |
| Rated Thermal Current | | 5A | | | |
| Operating Voltage | | 12V | 30V | 125V | 250V |
| AC | Resistive Load (AC-12) | 5A | 5A | 4A | 2A |
| 50/60 Hz | Inductive Load (AC-15) | 5A | 5A | 3A | 1.5A |
| DC | Resistive Load (DC-12) | 1A | 1A | 0.32A | 0.16A |
| | Inductive Load (DC-13) | 1A | 1A | 0.22A | 0.11A |

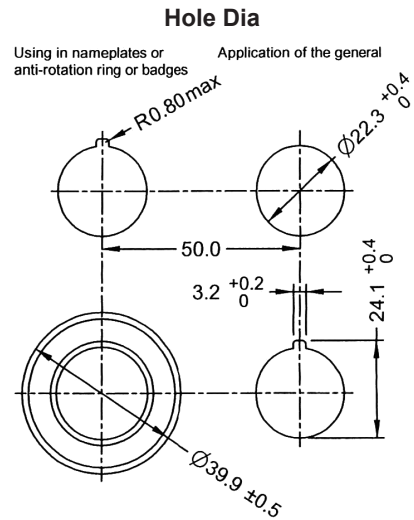
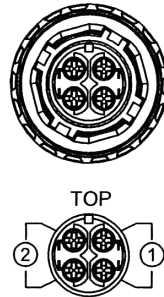
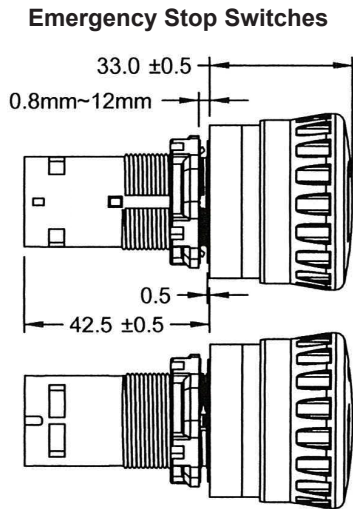
Contact Block Mounting Position

| Configuration | Contact | | Operator Position | |
|---------------|----------|----------|-------------------|------|
| | Mounting | Position | Free | Push |
| 10 | 1 | NO | | • |
| | 2 | - | | |
| 20 | 1 | NO | | • |
| | 2 | NO | | • |
| 01 | 1 | NC | • | |
| | 2 | - | | |
| 02 | 1 | NC | • | |
| | 2 | NC | • | |
| 11 | 1 | NO | | • |
| | 2 | NC | • | |

Note

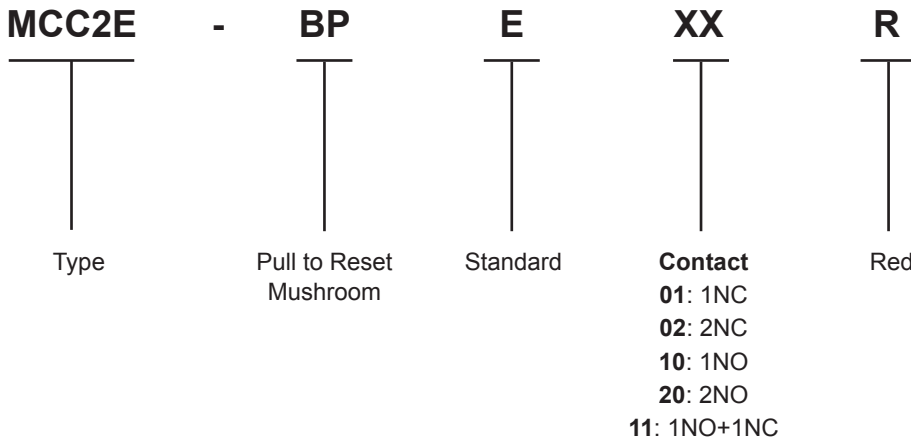
1. There are no → function for 1NO(10) & 2NO(20)

C2 Emergency Stop Switch



Dimensions : Millimetres

Part Number Explanation



Part Number Table

| Description | Part Number |
|---|--------------|
| Non-Illuminated Emergency Stop Switch, 40mm, 1NO, Red | MCC2E-BPE10R |
| Non-Illuminated Emergency Stop Switch, 40mm, 1NC, Red | MCC2E-BPE01R |
| Non-Illuminated Emergency Stop Switch, 40mm, 2NO, Red | MCC2E-BPE20R |
| Non-Illuminated Emergency Stop Switch, 40mm, 2NC, Red | MCC2E-BPE02R |
| Non-Illuminated Emergency Stop Switch, 40mm, 1NO+1NC, Red | MCC2E-BPE11R |

Important Notice : This data sheet and its contents (the "Information") belong to the members of the Premier Farnell group of companies (the "Group") or are licensed to it. No licence is granted for the use of it other than for information purposes in connection with the products to which it relates. No licence of any intellectual property rights is granted. The Information is subject to change without notice and replaces all data sheets previously supplied. The Information supplied is believed to be accurate but the Group assumes no responsibility for its accuracy or completeness, any error in or omission from it or for any use made of it. Users of this data sheet should check for themselves the Information and the suitability of the products for their purpose and not make any assumptions based on information included or omitted. Liability for loss or damage resulting from any reliance on the Information or use of it (including liability resulting from negligence or where the Group was aware of the possibility of such loss or damage arising) is excluded. This will not operate to limit or restrict the Group's liability for death or personal injury resulting from its negligence. Multicomp is the registered trademark of the Group. © Premier Farnell Limited 2016.