

# C2 Emergency Stop Switch

**RoHS  
Compliant**



## Specifications

Mechanical Life	: >0.25 million operations
Electrical Life	: >0.1 million operations
Rated Insulation Voltage	: 300V
Rated Thermal Current	: 5A
Insulation Resistance	: 100MΩ
Dielectric Strength	: 2,000V AC, 1 minute
Panel Thickness	: 0.8mm to 12mm
Degree of protection	: IP65
Storage Temperature	: -45°C to +85°C
Operating Temperature	: -25°C to +55°C

## Contact Ratings (B300/R300)

Rated Insulation Voltage		300V			
Rated Thermal Current		5A			
Operating Voltage		12V	30V	125V	250V
AC	Resistive Load (AC-12)	5A	5A	4A	2A
	Inductive Load (AC-15)	5A	5A	3A	1.5A
DC	Resistive Load (DC-12)	1A	1A	0.32A	0.16A
	Inductive Load (DC-13)	1A	1A	0.22A	0.11A

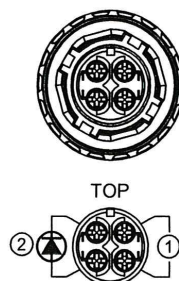
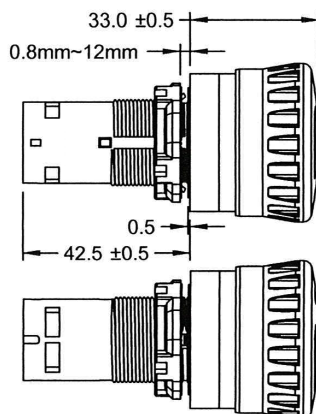
## Contact Block Mounting Position

Contact			Operator Position	
Configuration	Mounting	Position	Free	Push
10	1	NO		•
	2	LED		
01	1	NC	•	
	2	LED		

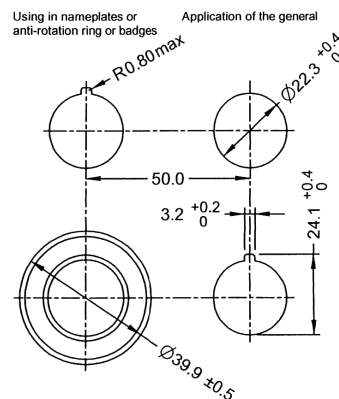
Note

- There are no → function for 1NO(10) & 2NO(20)

## Emergency Stop Switches



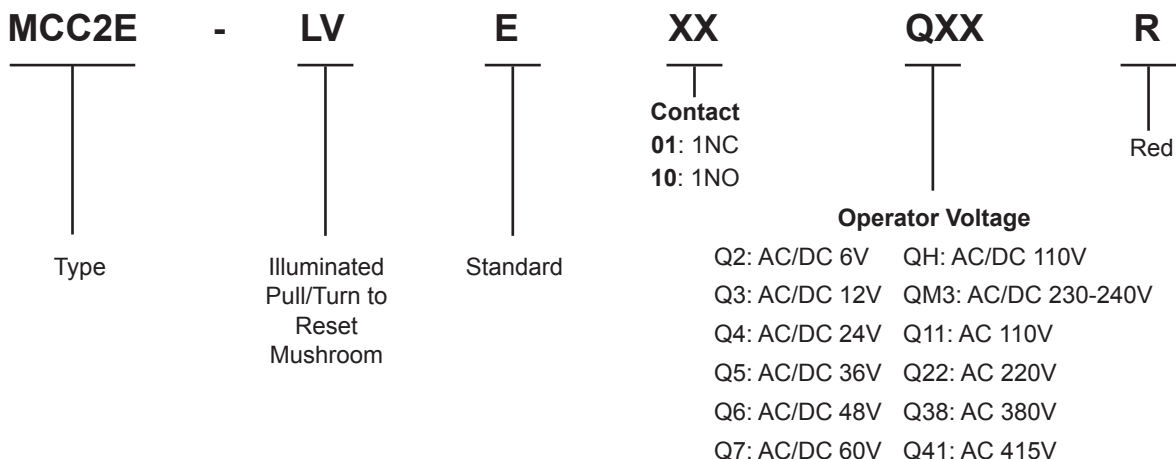
## Hole Dia



Dimensions : Millimetres

# C2 Emergency Stop Switch

## Part Number Explanation



## Part Number Table

Description	Part Number
Illuminated Emergency Stop Switch, 40mm, 1NO, Red	MCC2E-LVE10QM3R
Illuminated Emergency Stop Switch, 40mm, 1NC, Red	MCC2E-LVE01QM3R

**Important Notice :** This data sheet and its contents (the "Information") belong to the members of the Premier Farnell group of companies (the "Group") or are licensed to it. No licence is granted for the use of it other than for information purposes in connection with the products to which it relates. No licence of any intellectual property rights is granted. The Information is subject to change without notice and replaces all data sheets previously supplied. The Information supplied is believed to be accurate but the Group assumes no responsibility for its accuracy or completeness, any error in or omission from it or for any use made of it. Users of this data sheet should check for themselves the Information and the suitability of the products for their purpose and not make any assumptions based on information included or omitted. Liability for loss or damage resulting from any reliance on the Information or use of it (including liability resulting from negligence or where the Group was aware of the possibility of such loss or damage arising) is excluded. This will not operate to limit or restrict the Group's liability for death or personal injury resulting from its negligence. Multicomp is the registered trademark of the Group. © Premier Farnell Limited 2016.