

## Features

- Designed for 10,000 mating cycles thanks to HMC surface in mating area
- Shielding bus separate from housing potential
- Ideal for the transmission of sensitive signals
- Suitable for Gigabit Ethernet Cat. 6A

## Technical characteristics

Specifications	DIN EN 60 664-1 DIN EN 61 984
----------------	----------------------------------

### Han® module adapter

Number of contacts	8
Insulation resistance	≥ 10 <sup>10</sup> Ω
Material	Polycarbonate
Limiting temperatures	-40 °C ... +85 °C
Flammability acc. to UL 94	V 0
Mechanical working life	≥ 10,000 mating cycles

### Han® GigaBit HMC insert

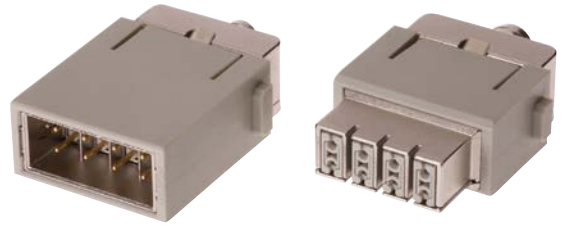
Number of contacts	8 + shielding
Electrical data acc. to DIN EN 61 984	<b>5 A 50 V 0.8 kV 3</b>
Rated current	5 A
Rated voltage	50 V
Rated impulse voltage	0.8 kV
Pollution degree	3
Rated voltage acc. to UL	< 30 V
Material	
- Insulator	Polycarbonate
- Outer conductor	Zinc alloy HMC
Contact resistance	≤ 4 mΩ
Limiting temperatures	-40 °C ... +85 °C
Mechanical working life	≥ 10,000 mating cycles
Flammability acc. to UL 94	V 0
Outer surface finish	Nickel
Cable diameter	5 ... 12 mm

### Han® D-Sub HMC crimp contacts

Crimp terminal	
- mm <sup>2</sup>	0.08 ... 0.52 mm <sup>2</sup>
- AWG	28 ... 20

Number of contacts

# 8



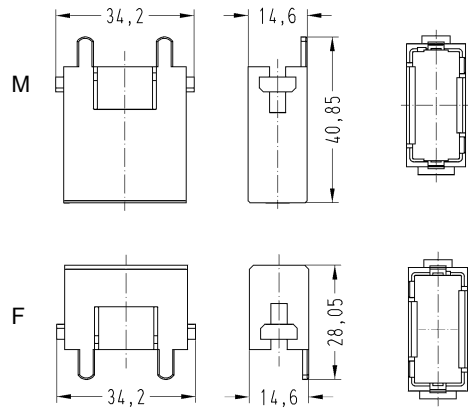
Identification	Part number		Drawing	Dimensions in mm
	Male insert (M)	Female insert (F)		

Han® module adapter



09 14 001 3011

09 14 001 3111



Identification	Wire gauge mm <sup>2</sup>	Part number		Drawing	Dimensions in mm
		Male contact	Female contact		

Han® GigaBit HMC module insert

20 + shield crimp contacts order separately



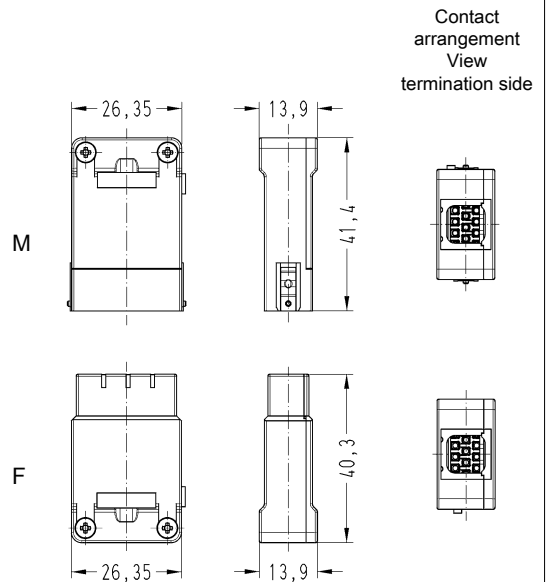
With additional shield connection to the hinged frame crimp contacts order separately

09 14 208 3011

09 14 208 3111

09 14 208 3012

09 14 208 3112



Han® D-Sub HMC crimp contacts

gold plated HMC



0,08-0,21  
0,13-0,33  
0,33-0,52

09 67 000 7570  
09 67 000 5570  
09 67 000 8570

09 67 000 7470  
09 67 000 5470  
09 67 000 8470

Wire gauge	∅	Stripping length of stranded wire
0.08 - 0.21 mm <sup>2</sup>	AWG 28-24	4 mm
0.13 - 0.33 mm <sup>2</sup>	AWG 26-22	4 mm
0.33 - 0.52 mm <sup>2</sup>	AWG 22-20	4 mm

Identification	Part number	Drawing	Dimensions in mm																																																					
<p><b>Crimp flange</b></p> <table border="1"> <thead> <tr> <th>D1</th> <th>D2</th> </tr> </thead> <tbody> <tr><td>3.0</td><td>4.0</td></tr> <tr><td>3.5</td><td>4.5</td></tr> <tr><td>4.0</td><td>5.0</td></tr> <tr><td>4.5</td><td>5.5</td></tr> <tr><td>5.0</td><td>6.0</td></tr> <tr><td>5.5</td><td>6.5</td></tr> <tr><td>6.0</td><td>7.0</td></tr> <tr><td>6.5</td><td>7.5</td></tr> <tr><td>7.0</td><td>8.0</td></tr> <tr><td>7.5</td><td>8.5</td></tr> <tr><td>8.0</td><td>9.0</td></tr> <tr><td>8.5</td><td>9.5</td></tr> <tr><td>9.0</td><td>10.0</td></tr> </tbody> </table>	D1	D2	3.0	4.0	3.5	4.5	4.0	5.0	4.5	5.5	5.0	6.0	5.5	6.5	6.0	7.0	6.5	7.5	7.0	8.0	7.5	8.5	8.0	9.0	8.5	9.5	9.0	10.0	<table border="1"> <tbody> <tr><td>61 03 000 0062</td></tr> <tr><td>61 03 000 0063</td></tr> <tr><td>61 03 000 0064</td></tr> <tr><td>61 03 000 0065</td></tr> <tr><td>61 03 000 0066</td></tr> <tr><td>61 03 000 0166</td></tr> <tr><td>61 03 000 0067</td></tr> <tr><td>61 03 000 0068</td></tr> <tr><td>61 03 000 0069</td></tr> <tr><td>61 03 000 0070</td></tr> <tr><td>61 03 000 0071</td></tr> <tr><td>61 03 000 0165</td></tr> <tr><td>61 03 000 0072</td></tr> </tbody> </table>	61 03 000 0062	61 03 000 0063	61 03 000 0064	61 03 000 0065	61 03 000 0066	61 03 000 0166	61 03 000 0067	61 03 000 0068	61 03 000 0069	61 03 000 0070	61 03 000 0071	61 03 000 0165	61 03 000 0072														
D1	D2																																																							
3.0	4.0																																																							
3.5	4.5																																																							
4.0	5.0																																																							
4.5	5.5																																																							
5.0	6.0																																																							
5.5	6.5																																																							
6.0	7.0																																																							
6.5	7.5																																																							
7.0	8.0																																																							
7.5	8.5																																																							
8.0	9.0																																																							
8.5	9.5																																																							
9.0	10.0																																																							
61 03 000 0062																																																								
61 03 000 0063																																																								
61 03 000 0064																																																								
61 03 000 0065																																																								
61 03 000 0066																																																								
61 03 000 0166																																																								
61 03 000 0067																																																								
61 03 000 0068																																																								
61 03 000 0069																																																								
61 03 000 0070																																																								
61 03 000 0071																																																								
61 03 000 0165																																																								
61 03 000 0072																																																								
<p><b>Crimp ferrule</b></p> <table border="1"> <thead> <tr> <th>D3</th> <th>D4</th> </tr> </thead> <tbody> <tr><td>5.0</td><td>6.0</td></tr> <tr><td>5.5</td><td>6.5</td></tr> <tr><td>6.0</td><td>7.0</td></tr> <tr><td>6.5</td><td>7.5</td></tr> <tr><td>7.0</td><td>8.0</td></tr> <tr><td>7.5</td><td>8.5</td></tr> <tr><td>8.0</td><td>9.0</td></tr> <tr><td>8.5</td><td>9.5</td></tr> <tr><td>9.0</td><td>10.0</td></tr> <tr><td>9.5</td><td>10.5</td></tr> <tr><td>10.0</td><td>11.0</td></tr> <tr><td>10.5</td><td>11.5</td></tr> <tr><td>11.0</td><td>12.0</td></tr> <tr><td>11.5</td><td>12.5</td></tr> <tr><td>12.0</td><td>13.0</td></tr> <tr><td>12.5</td><td>13.5</td></tr> <tr><td>13.0</td><td>14.0</td></tr> </tbody> </table>	D3	D4	5.0	6.0	5.5	6.5	6.0	7.0	6.5	7.5	7.0	8.0	7.5	8.5	8.0	9.0	8.5	9.5	9.0	10.0	9.5	10.5	10.0	11.0	10.5	11.5	11.0	12.0	11.5	12.5	12.0	13.0	12.5	13.5	13.0	14.0	<table border="1"> <tbody> <tr><td>61 03 000 0045</td></tr> <tr><td>61 03 000 0046</td></tr> <tr><td>61 03 000 0047</td></tr> <tr><td>61 03 000 0048</td></tr> <tr><td>61 03 000 0049</td></tr> <tr><td>61 03 000 0050</td></tr> <tr><td>61 03 000 0051</td></tr> <tr><td>61 03 000 0052</td></tr> <tr><td>61 03 000 0053</td></tr> <tr><td>61 03 000 0054</td></tr> <tr><td>61 03 000 0055</td></tr> <tr><td>61 03 000 0056</td></tr> <tr><td>61 03 000 0057</td></tr> <tr><td>61 03 000 0058</td></tr> <tr><td>61 03 000 0142</td></tr> <tr><td>61 03 000 0059</td></tr> <tr><td>61 03 000 0127</td></tr> </tbody> </table>	61 03 000 0045	61 03 000 0046	61 03 000 0047	61 03 000 0048	61 03 000 0049	61 03 000 0050	61 03 000 0051	61 03 000 0052	61 03 000 0053	61 03 000 0054	61 03 000 0055	61 03 000 0056	61 03 000 0057	61 03 000 0058	61 03 000 0142	61 03 000 0059	61 03 000 0127		
D3	D4																																																							
5.0	6.0																																																							
5.5	6.5																																																							
6.0	7.0																																																							
6.5	7.5																																																							
7.0	8.0																																																							
7.5	8.5																																																							
8.0	9.0																																																							
8.5	9.5																																																							
9.0	10.0																																																							
9.5	10.5																																																							
10.0	11.0																																																							
10.5	11.5																																																							
11.0	12.0																																																							
11.5	12.5																																																							
12.0	13.0																																																							
12.5	13.5																																																							
13.0	14.0																																																							
61 03 000 0045																																																								
61 03 000 0046																																																								
61 03 000 0047																																																								
61 03 000 0048																																																								
61 03 000 0049																																																								
61 03 000 0050																																																								
61 03 000 0051																																																								
61 03 000 0052																																																								
61 03 000 0053																																																								
61 03 000 0054																																																								
61 03 000 0055																																																								
61 03 000 0056																																																								
61 03 000 0057																																																								
61 03 000 0058																																																								
61 03 000 0142																																																								
61 03 000 0059																																																								
61 03 000 0127																																																								
<p><b>Cable clamp</b></p> <p>cable diameter approx. 5 ... 7 mm  cable diameter approx. 7 ... 10 mm  cable diameter approx. 10 ... 12 mm</p>	<table border="1"> <tbody> <tr><td>61 03 000 0141</td></tr> <tr><td>61 03 000 0044</td></tr> <tr><td>61 03 000 0143</td></tr> </tbody> </table>	61 03 000 0141	61 03 000 0044	61 03 000 0143																																																				
61 03 000 0141																																																								
61 03 000 0044																																																								
61 03 000 0143																																																								