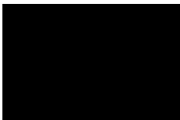


Base module;quick-mounting;400 mm aluminum tube

Part no. **SL4-FMS-400**
Article no. **171310**
Catalog No. **SL4-FMS-400**



Delivery program

Product range		SL signal towers
Basic function		Base module
Connection technique		Screw terminals
Mounting type		for horizontal mounting
Fitted with		Base with base adapter for slipping onto place (rapid mounting and wiring system) including cover
Tube length		400 mm
Number of modules		max. 5 modules
Colour		black Aluminum color tube
		
For use with		SL4-L-... SL4-BL-... SL4-FL-... SL4-AP-...
Connection to SmartWire-DT		no

Technical data

General

Standards		IEC/EN 60947-5-1
Climatic proofing		Damp heat, constant, to IEC 60068-2-78 Damp heat, cyclic, to IEC 60069-2-30
Mounting position		for horizontal mounting
Mechanical shock resistance	g	> 15 according to IEC 60068-2-27 Shock duration 11 ms Sinusoidal
IEC degree of protection		IP66

Protection type UL			IEC/EN 60529
Cap colour			Type 4, 4X, 13
Ambient temperature		°C	black Aluminum color tube
Number of signal elements			-30 - +60
Terminal capacity			Max. 5 with standard base Max. 10 with base for mounting on both sides
Solid or flexible conductor		mm ²	0.2 - 1.5
Solid or flexible conductor, with ferrule		mm ²	0,25 - 1,5
Flexible with ferrule with plastic collar		mm ²	0.25 - 0.75
			AWG 24 - AWG 16

Contacts

Rated impulse withstand voltage	U _{imp}	V AC	4000
Rated insulation voltage	U _i	V	250
Overvoltage category/pollution degree			III/3

modules

Voltage levels			24 V AC/DC ± 10 % 110/120 V AC ± 10 % 230/240 V AC ± 10 %
----------------	--	--	---

Design verification as per IEC/EN 61439

Technical data for design verification			
Operating ambient temperature min.		°C	-30
Operating ambient temperature max.		°C	60

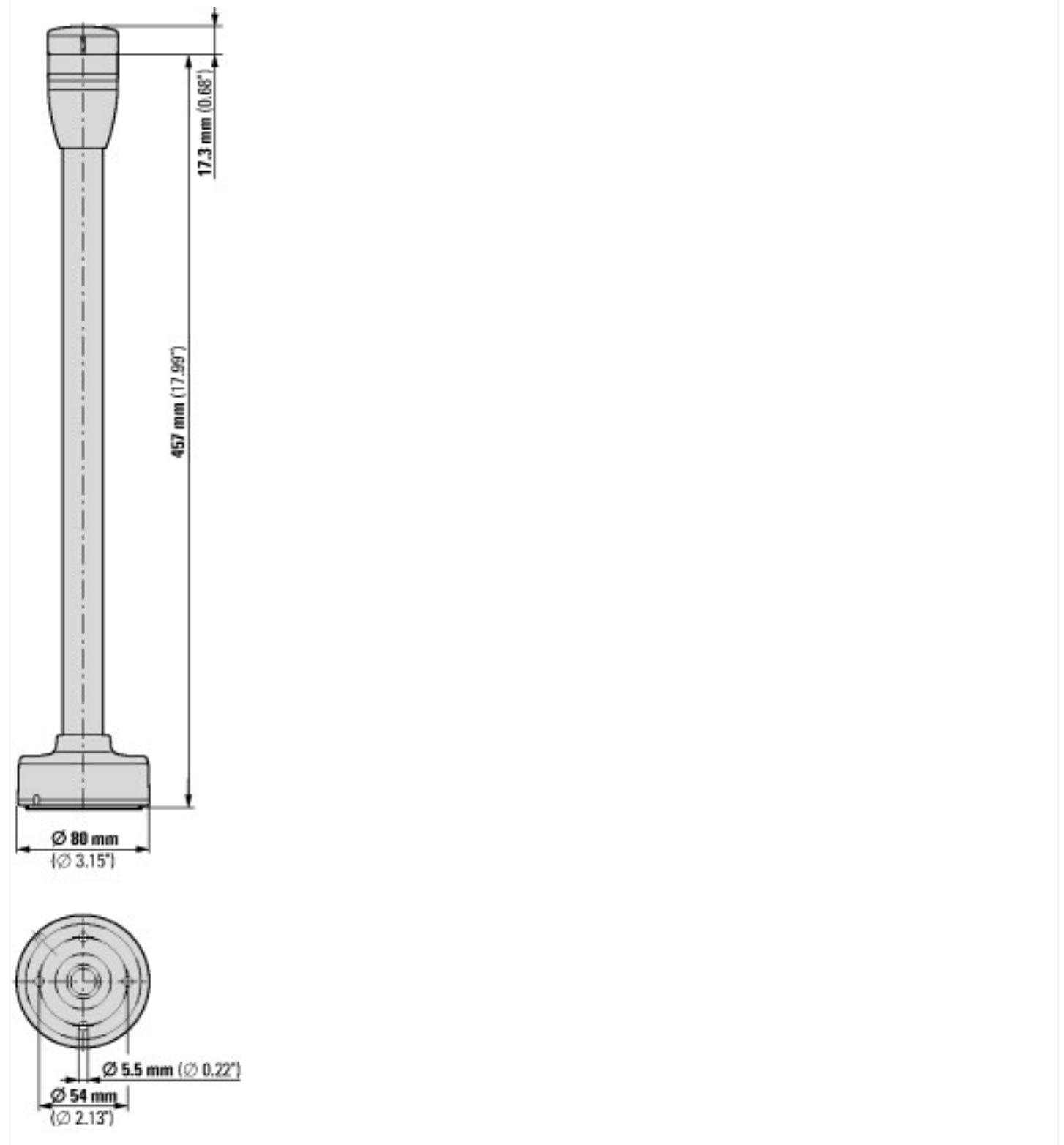
Technical data ETIM 6.0

Low-voltage industrial components (EG000017) / Connection module for signal tower (EC001152)			
Electric engineering, automation, process control engineering / Low-voltage switch technology / Command and alarm device / Signal column element, connection module (ecl@ss8.1-27-37-12-32 [AKF050011])			
Connection type auxiliary circuit			Screw connection
Tube mounting possible			No
Bracket mounting possible			Yes
Floor mounting possible			Yes
Colour			-
Suitable for AS interface			No

Approvals

Product Standards			IEC/EN 60947-5-1; UL 508; CSA-C22.2 No. 14-10; CSA-C22.2 No. 94-91; CE marking
UL File No.			E29184
UL Category Control No.			NKCR
CSA File No.			UL report applies to both US and Canada
CSA Class No.			NKCR7
North America Certification			UL listed, certified by UL for use in Canada
Degree of Protection			UL Type 4, 4X, 13

Dimensions



Additional product information (links)

IL047007ZU Signal Towers SL4/7: Quick mount base

IL047007ZU Signal Towers SL4/7: Quick mount base ftp://ftp.moeller.net/DOCUMENTATION/AWA_INSTRUCTIONS/IL047007ZU2015_03.pdf

IL047002ZU Signal Towers SL4: Drill pattern

IL047002ZU Signal Towers SL4: Drill pattern ftp://ftp.moeller.net/DOCUMENTATION/AWA_INSTRUCTIONS/IL047002ZU2013_02.pdf