
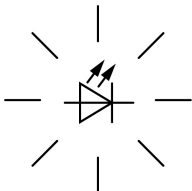




Continuous light module; yellow; LED;120 V

Part no. SL7-L120-Y
Article no. 171471
Catalog No. SL7-L120-Y

Delivery program

Product range			SL signal towers
Basic function			Continuous light module
Degree of Protection			IP66
Rated operational voltage	U_e	V	110/120 V AC
Type of light			Continuous light
Light elements			LED
Colour			
			yellow
			
Function			
Connection to SmartWire-DT			no

Technical data

General

Standards			IEC/EN 60947-5-1
Climatic proofing			Damp heat, constant, to IEC 60068-2-78 Damp heat, cyclic, to IEC 60069-2-30
Mounting position			As required
Mechanical shock resistance		g	> 15 according to IEC 60068-2-27 Shock duration 11 ms Sinusoidal
IEC degree of protection			IP66 IEC/EN 60529
Protection type UL			Type 4, 4X, 13
Material			Enclosure: Polycarbonate (PC), black Cap: Polycarbonate (PC)
Cap colour			yellow
Ambient temperature		°C	-30 - +60
Number of signal elements			Max. 5 with standard base Max. 10 with base for mounting on both sides
Weight		g	80

Contacts

Rated impulse withstand voltage	U_{imp}	V AC	4000
Rated insulation voltage	U_i	V	250
Overvoltage category/pollution degree			III/3

modules

Type of light			Continuous light
Light elements			LED
Leakage current		A	< 0.003
lifespan		h	> 100000
Transmission angle			360°

Current-/power consumption		
110 /120 V AC	A	0.028 - 0.031
Voltage levels		110/120 V AC \pm 10 %

Design verification as per IEC/EN 61439

Technical data for design verification		
Operating ambient temperature min.	°C	-30
Operating ambient temperature max.	°C	60

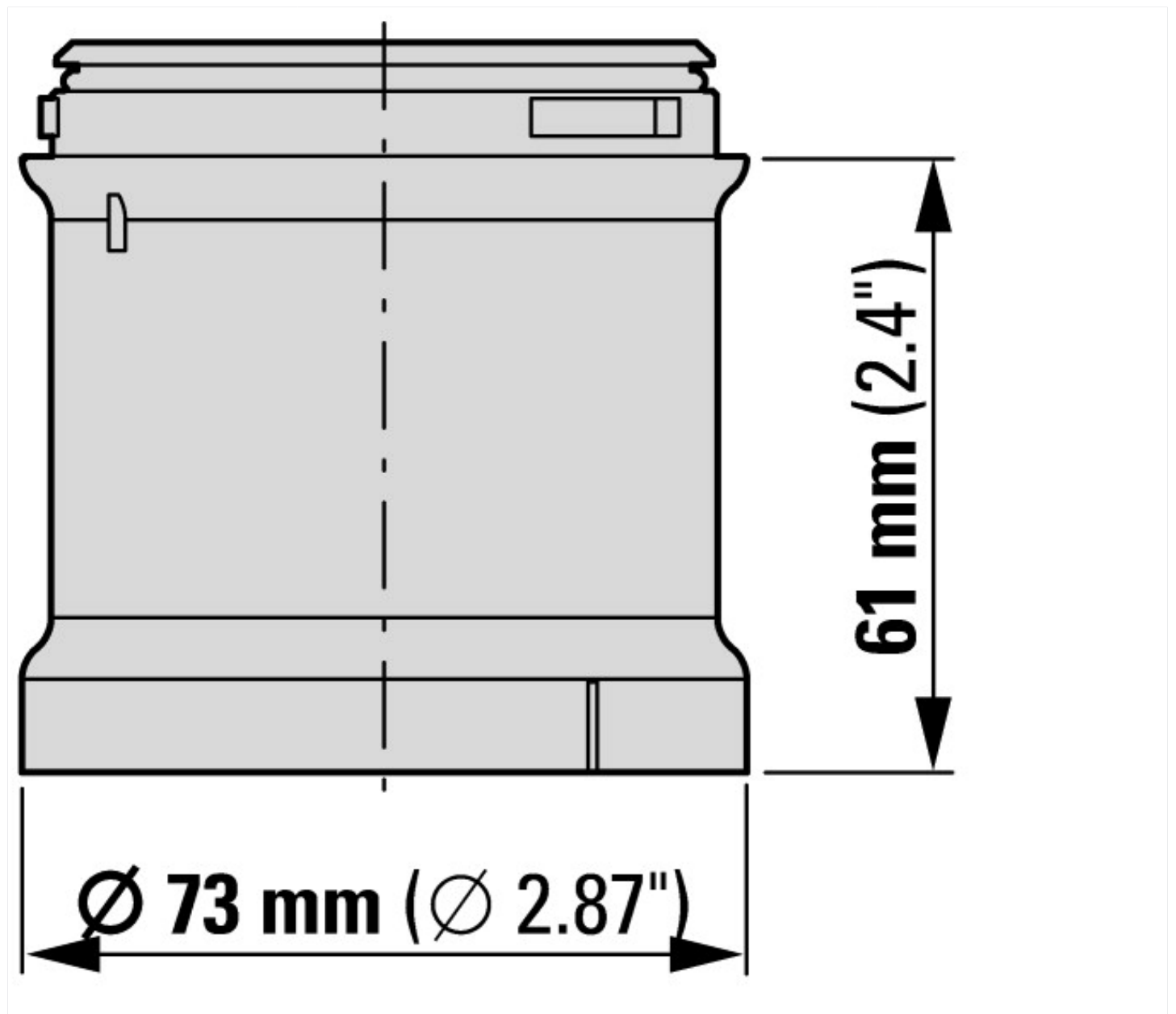
Technical data ETIM 6.0

Low-voltage industrial components (EG000017) / Optical module for signal tower (EC000232)		
Electric engineering, automation, process control engineering / Low-voltage switch technology / Command and alarm device / Optical module for signal tower (ecl@ss8.1-27-37-12-20 [AKF038011])		
Function		Continuous light
Colour		Yellow
Outer diameter	mm	73
Degree of protection (IP)		IP66
Operating voltage at AC 50 Hz	V	110 - 120
Operating voltage at AC 60 Hz	V	110 - 120
Operating voltage at DC	V	0 - 0
Voltage type		AC
Type of lamp		LED
Colour housing		Black

Approvals

Product Standards		IEC/EN 60947-5-1; UL 508; CSA-C22.2 No. 14-10; CSA-C22.2 No. 94-91; CE marking
UL File No.		E29184
UL Category Control No.		NKCR
CSA File No.		UL report applies to both US and Canada
CSA Class No.		NKCR7
North America Certification		UL listed, certified by UL for use in Canada
Degree of Protection		UL Type 4, 4X, 13

Dimensions



Additional product information (links)

IL047004ZU SL7 Light Modules, Tone Modules

IL047004ZU SL7 Light Modules, Tone Modules ftp://ftp.moeller.net/DOCUMENTATION/AWA_INSTRUCTIONS/IL047004ZU2013_02.pdf

IL047004ZU SL7, modules lumineux, modules sonores ftp://ftp.moeller.net/DOCUMENTATION/AWA_INSTRUCTIONS/IL047004ZU2013_02.pdf