

PLEASE CHECK WWW.MOLEX.COM FOR LATEST PART INFORMATION

Part Number: **0022035025**
Status: **Active**
Overview: SPOX™ Wire-to-Board Connectors
Description: 2.50mm Pitch SPOX™ Wire-to-Board Header, Vertical, Shrouded, 2 Circuits, Tin (Sn) Plating

Documents:

[3D Model](#) [Packaging Specification SPK-5267-001-001 \(PDF\)](#)
[Drawing \(PDF\)](#) [RoHS Certificate of Compliance \(PDF\)](#)
[Product Specification PS-5264-001-001 \(PDF\)](#)

Agency Certification

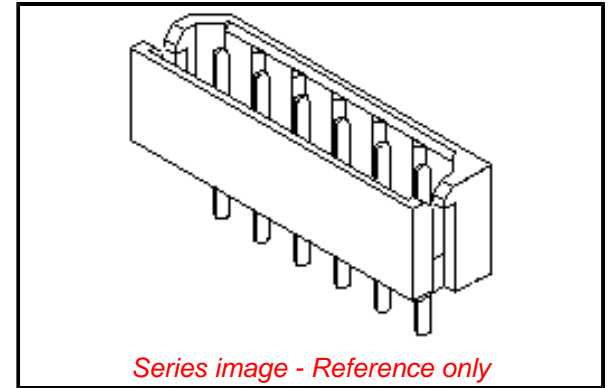
CSA LR19980
 UL E29179

General

Product Family PCB Headers
 Series [5267](#)
 Application Signal, Wire-to-Board
 MolexKits Yes
 Overview [SPOX™ Wire-to-Board Connectors](#)
 Product Name SPOX™
 UPC 800753591493

Physical

Breakaway No
 Circuits (Loaded) 2
 Circuits (maximum) 2
 Color - Resin Natural
 Durability (mating cycles max) 30
 First Mate / Last Break No
 Flammability 94V-0
 Glow-Wire Compliant No
 Guide to Mating Part No
 Keying to Mating Part None
 Lock to Mating Part Yes
 Material - Plating Mating Tin
 Material - Plating Termination Tin
 Material - Resin Nylon
 Net Weight 213.400/mg
 Number of Rows 1
 Orientation Vertical
 PC Tail Length 3.50mm
 PCB Locator No
 PCB Retention Yes
 PCB Thickness - Recommended 1.60mm
 Packaging Type Bag
 Pitch - Mating Interface 2.50mm
 Plating min - Mating 4.064µm
 Plating min - Termination 4.064µm
 Polarized to Mating Part Yes
 Polarized to PCB No
 Shrouded Fully
 Stackable No
 Surface Mount Compatible (SMC) No
 Temperature Range - Operating -40°C to +105°C
 Termination Interface: Style Through Hole



EU ELV

Not Relevant

EU RoHS

Compliant

REACH SVHC

Not Contained Per
 -ED/01/2017 (12
 January 2017)

Halogen-Free

Status

Not Low-Halogen

Need more information on product environmental compliance?

Email productcompliance@molex.com
 Please visit the [Contact Us](#) section for any non-product compliance questions.

China ROHS	Green Image
ELV	Not Relevant
RoHS Phthalates	Not Contained

Search Parts in this Series

[5267 Series](#)

Mates With

[5264 SPOX™ Wire-to-Board Crimp Housing](#), [42219 SPOX™ IDT Receptacle Housing](#)

Electrical

Current - Maximum per Contact
Voltage - Maximum

3.0A
250V

Material Info

Engineering Number

5267-02A

Reference - Drawing Numbers

Packaging Specification
Product Specification
Sales Drawing

SPK-5267-001-001
PS-5264-001-001
SD-5267-NA

This document was generated on 03/15/2017

PLEASE CHECK WWW.MOLEX.COM FOR LATEST PART INFORMATION