

PLEASE CHECK WWW.MOLEX.COM FOR LATEST PART INFORMATION

Part Number: [0511151601](#)
Status: **Active**
Description: 4.00mm Pitch, OBD-II Wire-to-Wire Receptacle Housing, Panel Mount, 16 Circuits

Documents:

[3D Model](#) [Application Specification AS-51115-001-001 \(PDF\)](#)
[Drawing \(PDF\)](#) [RoHS Certificate of Compliance \(PDF\)](#)
[Product Specification PS-51115-001 \(PDF\)](#)

General

Product Family Crimp Housings
 Series [51115](#)
 Application Power, Wire-to-Wire
 Product Name OBD-II
 UPC 800754367707

Physical

Circuits (maximum) 16
 Color - Resin Black
 Gender Female
 Glow-Wire Compliant No
 Keying to Mating Part None
 Lock to Mating Part Yes
 Material - Resin Polyester
 Net Weight 10330.000/mg
 Number of Rows 2
 Packaging Type Tray
 Panel Mount Yes
 Pitch - Mating Interface 4.00mm
 Stackable No
 Temperature Range - Operating -40°C to +85°C

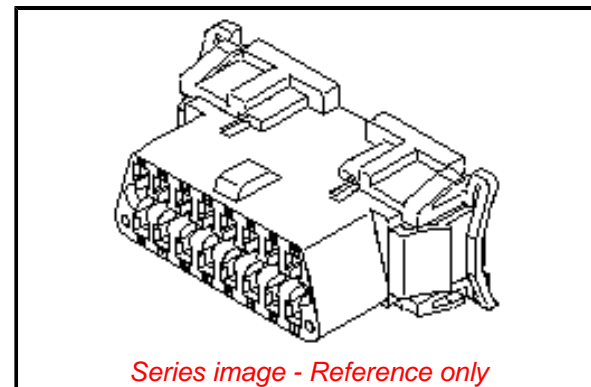
Solder Process Data

Lead-freeProcess Capability N/A

Material Info

Reference - Drawing Numbers

Application Specification [AS-51115-001-001](#)
 Product Specification [PS-51115-001](#)
 Sales Drawing [SD-51115-**0*](#)



EU ELV

Compliant

EU RoHS

Compliant

REACH SVHC

Not Contained Per
 -ED/01/2017 (12
 January 2017)

Halogen-Free

Status

Not Low-Halogen

Need more information on product environmental compliance?

Email productcompliance@molex.com
 Please visit the [Contact Us](#) section for any non-product compliance questions.

China ROHS

ELV

RoHS Phthalates

Green Image

Compliant

Not Contained

Search Parts in this Series

[51115 Series](#)

Mates With

OBD-II Male Housing [68503-1602](#)

Use With

[50420 Terminal](#) . [51117 Retainer](#)