

PLEASE CHECK WWW.MOLEX.COM FOR LATEST PART INFORMATION

Part Number: **0743232033**
Status: **Active**
Overview: MicroCross™ DVI Connectors and Cable Assemblies
Description: MicroCross™ DVI Digital/Analog Dual Link Component, Gold (Au) Flash, High Volume Plug Connector Sub-assembly, Vertical, 29 Circuits, Lead-Free

Documents:

[Drawing \(PDF\)](#) [RoHS Certificate of Compliance \(PDF\)](#)

Agency Certification

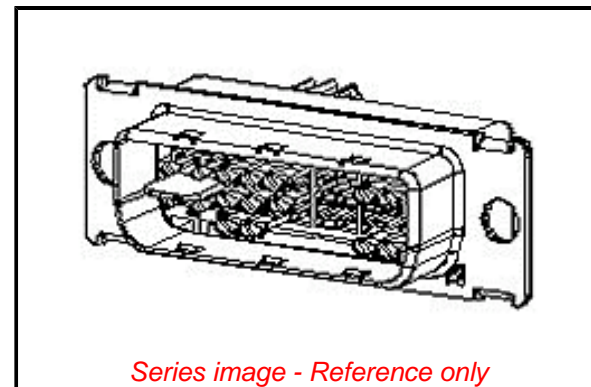
CSA LR19980
 UL E29179

General

Product Family I/O Connectors
 Series [74323](#)
 Application Wire-to-Board
 Comments DDWG (Digital Display Working Group) Standard
 Component Type I/O Plug Connector Subassembly
 Electrical Model Yes
 Overview [MicroCross™ DVI Connectors and Cable Assemblies](#)
 Product Name MicroCross™DVI
 Type N/A
 UPC 800753025868

Physical

Boot Color N/A
 Circuits (Loaded) 29
 Circuits (maximum) 29
 Circuits Detail Circuits 1-24; C1-C5 are loaded
 Color - Resin Black
 Durability (mating cycles max) 100
 Flammability 94V-0
 Keying to Mating Part Yes
 Lock to Mating Part Yes
 Material - Metal Copper Alloy
 Material - Plating Mating Gold
 Material - Plating Termination Tin
 Material - Resin High Temperature Thermoplastic
 Net Weight 8.341/g
 Number of Rows 3
 Orientation Vertical
 PCB Retention None
 Packaging Type Tray
 Panel Mount N/A
 Pitch - Mating Interface 1.90mm, 2.54mm
 Pitch - Termination Interface 1.90mm, 2.54mm
 Plating min - Mating 0.254µm
 Plating min - Termination 3.810µm
 Polarized to Mating Part Yes
 Polarized to PCB Yes
 Ports 1
 Temperature Range - Operating -20°C to +85°C
 Termination Interface: Style Solder or Weld
 Waterproof / Dustproof No
 Wire Size AWG N/A



Series image - Reference only

EU ELV

Compliant

EU RoHS

Compliant

REACH SVHC

Not Contained Per
 -ED/01/2017 (12
 January 2017)

Halogen-Free

Status

Not Low-Halogen

Need more information on product environmental compliance?

Email productcompliance@molex.com
 Please visit the [Contact Us](#) section for any non-product compliance questions.

China ROHS	Green Image
ELV	Compliant
RoHS Phthalates	Not Contained

Search Parts in this Series

[74323 Series](#)

Mates With

Other Receptacle components, [74320 DVI Receptacle](#), [67351 DVI Receptacle](#)

Application Tooling | FAQ

Tooling specifications and manuals are found by selecting the products below. Crimp Height Specifications are then contained in the Application Tooling Specification document.

Global

Description	Product #
Soldering Fixture	0621003700

Electrical

Current - Maximum per Contact	3.0A
Grounding to Panel	Yes
Shield Type	Full Shield
Shielded	Yes
Voltage - Maximum	40V AC (RMS)

Material Info**Reference - Drawing Numbers**

Electrical Model Document	EE-74320-002
S-Parameter Model	SP-74320-002
Sales Drawing	SD-74323-003

This document was generated on 03/20/2017

PLEASE CHECK WWW.MOLEX.COM FOR LATEST PART INFORMATION