

PLEASE CHECK WWW.MOLEX.COM FOR LATEST PART INFORMATION

Part Number: [0874390400](#)
Status: **Active**
Overview: Pico-SPOX™ Wire-to-Board Connector System
Description: 1.50mm Pitch Pico-SPOX™ Wire-to-Board Housing, 4 Circuits, Off-White Housing

Documents:

| | |
|--|---|
| 3D Model | Packaging Specification SPK-87439-001-001 (PDF) |
| Drawing (PDF) | RoHS Certificate of Compliance (PDF) |
| Product Specification PS-87437-001-001 (PDF) | Product Literature (PDF) |

Agency Certification

| | |
|-----|---------|
| CSA | LR19980 |
| UL | E29179 |

General

| | |
|-----------------------------|---|
| Product Family | Crimp Housings |
| Series | 87439 |
| Application | Signal, Wire-to-Board |
| MolexKits | Yes |
| Overview | Pico-SPOX™ Wire-to-Board Connector System |
| Product Literature Order No | USA-235 |
| Product Name | Pico-SPOX™ |
| UPC | 800753537224 |

Physical

| | |
|-------------------------------|-----------------|
| Circuits (maximum) | 4 |
| Color - Resin | Natural |
| Flammability | 94V-0 |
| Gender | Female |
| Glow-Wire Compliant | No |
| Lock to Mating Part | Yes |
| Material - Resin | Nylon |
| Net Weight | 55.000/mg |
| Number of Rows | 1 |
| Packaging Type | Bag |
| Panel Mount | No |
| Pitch - Mating Interface | 1.50mm |
| Polarized to Mating Part | Yes |
| Stackable | No |
| Temperature Range - Operating | -55°C to +105°C |

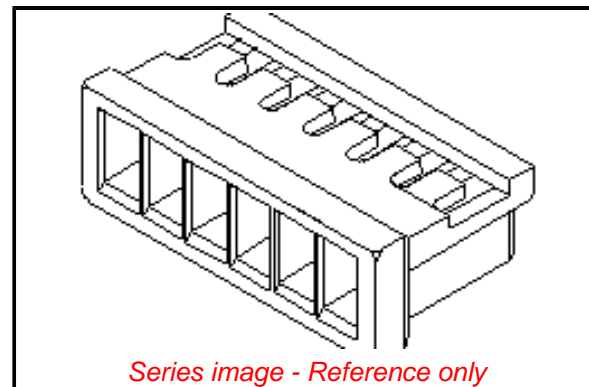
Electrical

| | |
|-------------------------------|------|
| Current - Maximum per Contact | 2.5A |
|-------------------------------|------|

Material Info

Reference - Drawing Numbers

| | |
|-------------------------|-------------------|
| Packaging Specification | SPK-87439-001-001 |
| Product Specification | PS-87437-001-001 |
| Sales Drawing | SD-87439-**00 |



EU ELV

Not Reviewed

EU RoHS

Compliant

REACH SVHC

Not Contained Per
-ED/01/2017 (12
January 2017)

Halogen-Free

Status

Low-Halogen

Need more information on product environmental compliance?

Email productcompliance@molex.com
Please visit the [Contact Us](#) section for any non-product compliance questions.

| | |
|-----------------|---------------|
| China ROHS | Green Image |
| ELV | Not Reviewed |
| RoHS Phthalates | Not Contained |

Search Parts in this Series

[87439](#) Series

Mates With

Pico-SPOX™ Wire-to-Board Header [87437](#) , [87438](#)

Use With

[87421](#) Pico-SPOX™ Crimp Terminal