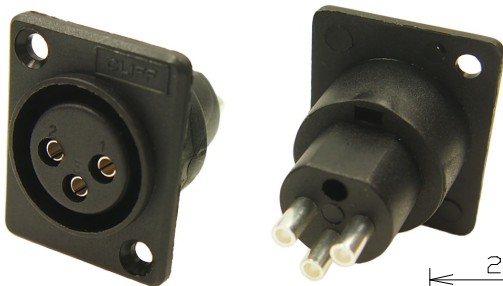
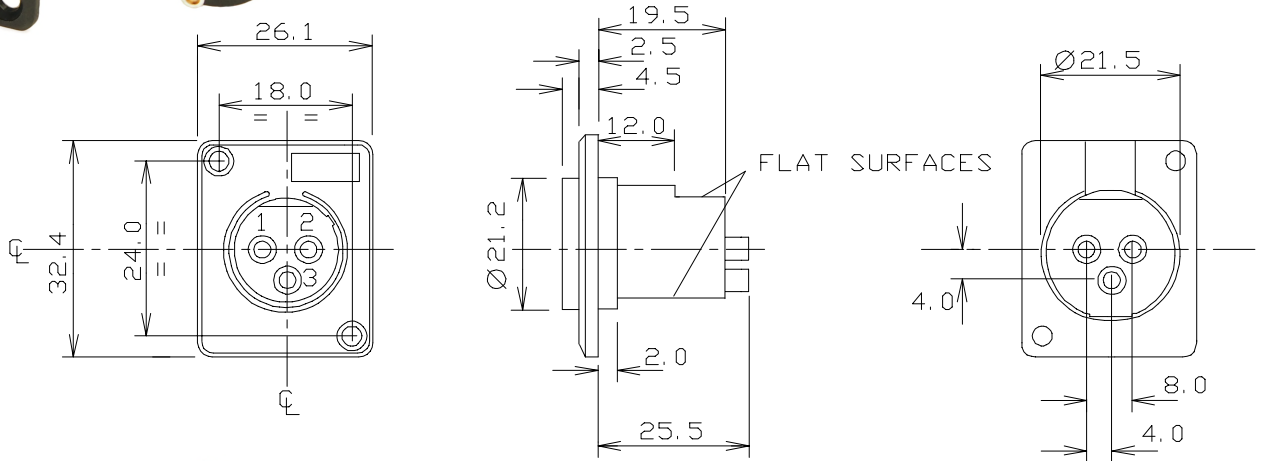


CLIFF

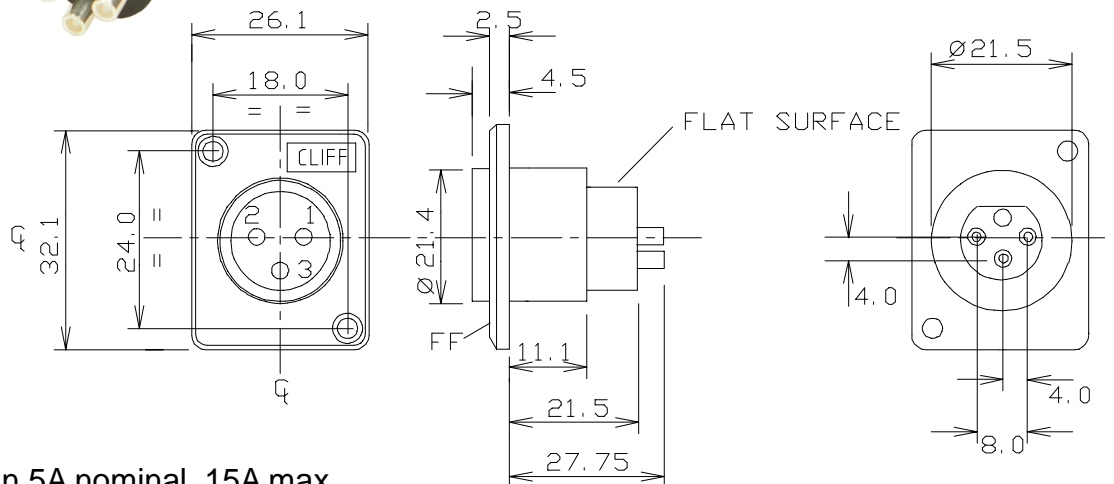
XLR CONNECTORS



Cliff P/No. CP3000 - ACM Farnell P/No. 149324



Cliff P/No. CP3001 - ACF Farnell P/No. 149325



SPECIFICATION

Rated Current: 3 pin 5A nominal, 15A max.

Rated Voltage; 250 VAC max.

Contact Resistance (new): <10mΩ

Contact Resistance (after 1000 insertions): 15mΩ max.

Dielectric Withstand: 1600VAC between all contacts.

For further information, contact sales@cliffuk.co.uk

Cliff Electronic Components Limited,
76 Holmethorpe Avenue, Holmethorpe Ind. Estate,
Redhill, Surrey RH1 2PF U.K.
Tel: +44 (0)1737 771375 Fax: +44 (0)1737 766012



Visit us online at:
www.cliffuk.co.uk