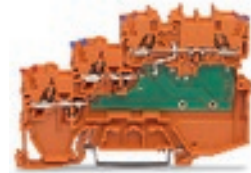




3-conductor sensor supply terminal block; internally commoned

Item No.: 2000-5372



3-conductor sensor supply terminal block; internally commoned

Marking

RoHS ✓
Compliant

Business data

Supplier	WAGO
Item no.	2000-5372
GTIN / EAN	4055143480291
Content	1
Order amount	15
Customer item number	

Notes

Item description: 3.5 mm spacing per signal (2 x 3.5 mm = 7 mm) The double spacing per pole of this terminal block series maximizes connectivity. For example, ten sensors may be connected using only five sensor terminal blocks plus a power supply terminal block.

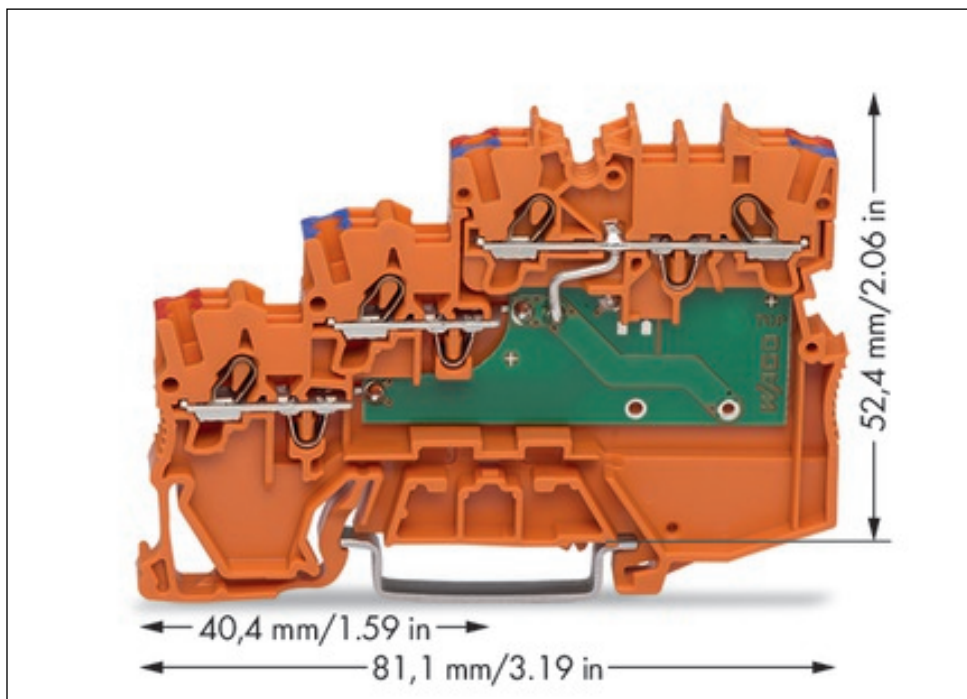
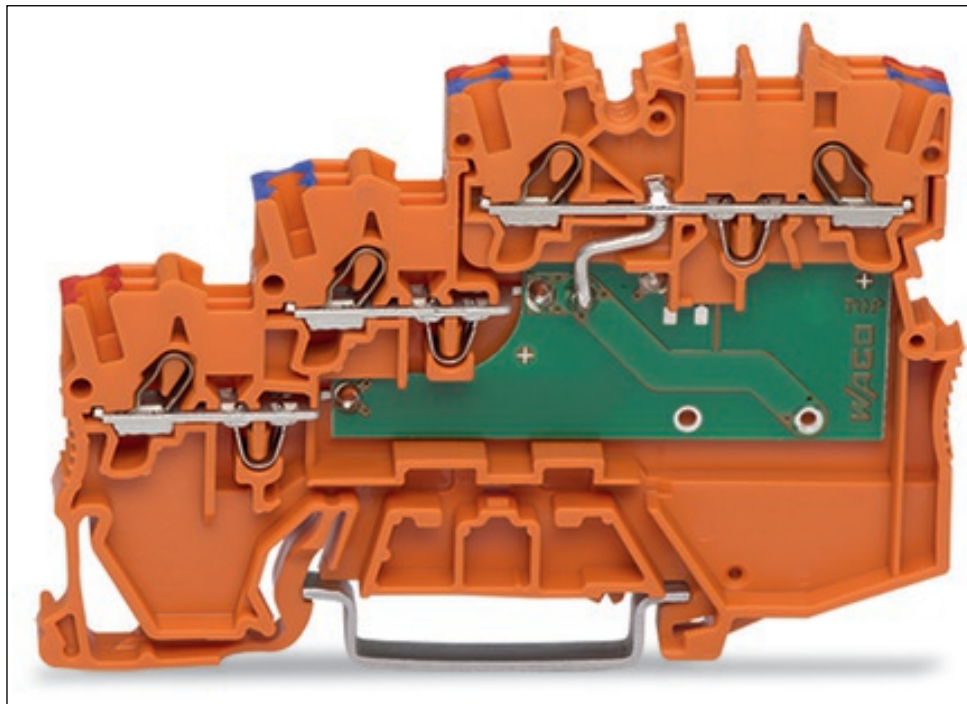
Technical data

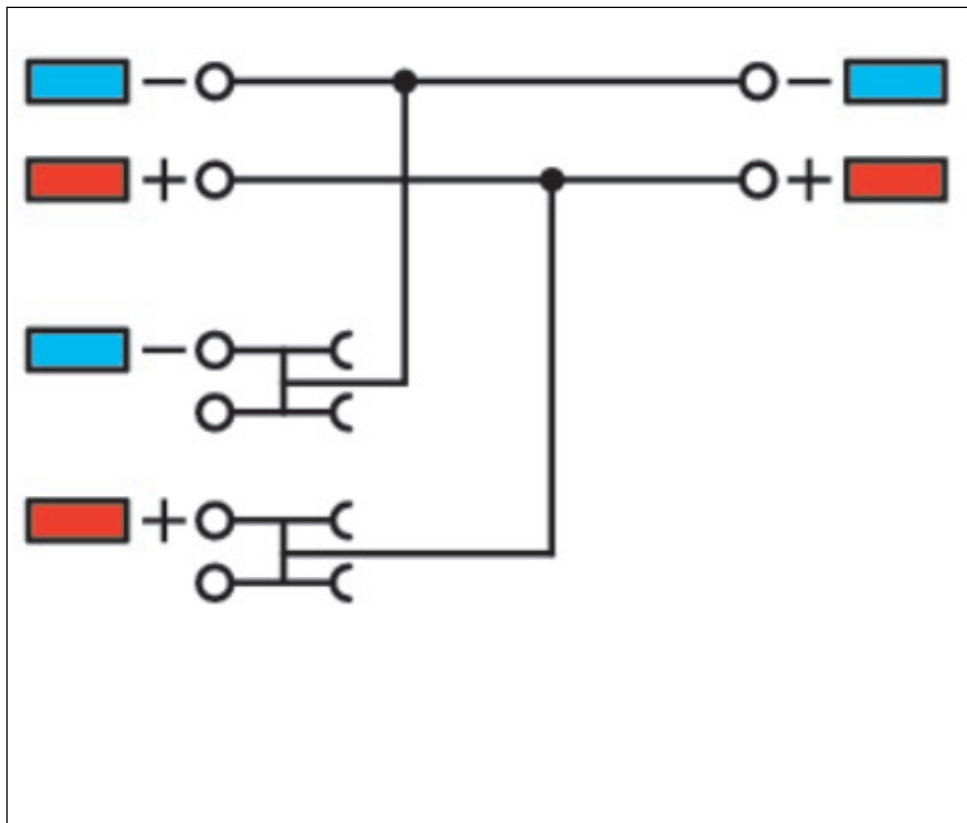
Miscellaneous

Total number of connection points	8
Total number of potentials	4
Color	orange
Ratings per	IEC/EN 60947-7-1

Technical data	
<i>Rated voltage (III / 3) [V]</i>	<i>250 [V]</i>
<i>Rated current [A]</i>	<i>13.5 [A]</i>
<i>Connection technology</i>	<i>Push-in CAGE CLAMP®</i>
<i>Number of connection points connector</i>	<i>8</i>
<i>Actuation type</i>	<i>Operating tool</i>
<i>Connectable conductor materials</i>	<i>Copper</i>
<i>Nominal cross section</i>	<i>1 mm²</i>
<i>Solid conductor</i>	<i>0.14 ... 1.5 mm² / 24 ... 16 AWG</i>
<i>Solid conductor, push-in termination</i>	<i>0.5 ... 1.5 mm² / 20 ... 16 AWG</i>
<i>Fine-stranded conductor</i>	<i>0.14 ... 1.5 mm² / 24 ... 16 AWG</i>
<i>Fine-stranded conductor with ferrule, push-in termination fr</i>	<i>0.5 mm² / 20 AWG</i>
<i>Strip length</i>	<i>9 ... 11 mm / 0.35 ... 0.43 Inch</i>
<i>Type of wiring</i>	<i>Front-entry wiring</i>
<i>Design</i>	<i>horizontal</i>
<i>Marking level</i>	<i>Center/side marking</i>
<i>Insulating material</i>	<i>Polyamide 66 (PA 66)</i>
<i>Fire load [MJ]</i>	<i>2.555 [MJ]</i>
<i>Weight [g]</i>	<i>15.918 [g]</i>
<i>Width</i>	<i>7 mm / 0.276 Inch</i>
<i>Height from upper-edge of DIN-35 rail</i>	<i>52.4 mm / 2.063 Inch</i>
<i>Type of mounting</i>	<i>DIN-35 x 15 carrier rail</i>

Images & drawings





Address

WAGO Kontakttechnik GmbH & Co. KG

Hansastr. 27

32423 Minden

Telefon: 0571/887-0

Fax: 0571/887-169

<http://www.wago.com>

© WAGO Kontakttechnik GmbH & Co. KG

Technische Änderungen und Irrtümer vorbehalten.