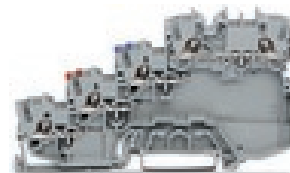




## 4-conductor sensor terminal block; with ground connection via push-in type jumper bars

Item No.: 2000-5410



4-conductor sensor terminal block; with ground connection via push-in type jumper bars

### Marking

RoHS ✓  
Compliant

### Business data

|                      |               |
|----------------------|---------------|
| Supplier             | WAGO          |
| Item no.             | 2000-5410     |
| GTIN / EAN           | 4055143442244 |
| Content              | 1             |
| Order amount         | 50            |
| Customer item number |               |

### Notes

*Item description:* 3.5 mm spacing per signal (2 x 3.5 mm = 7 mm) The double spacing per pole of this terminal block series maximizes connectivity. For example, ten sensors may be connected using only five sensor terminal blocks plus a power supply terminal block. *Safety information 1:* Ground connection via commoning to terminal blocks with ground foot

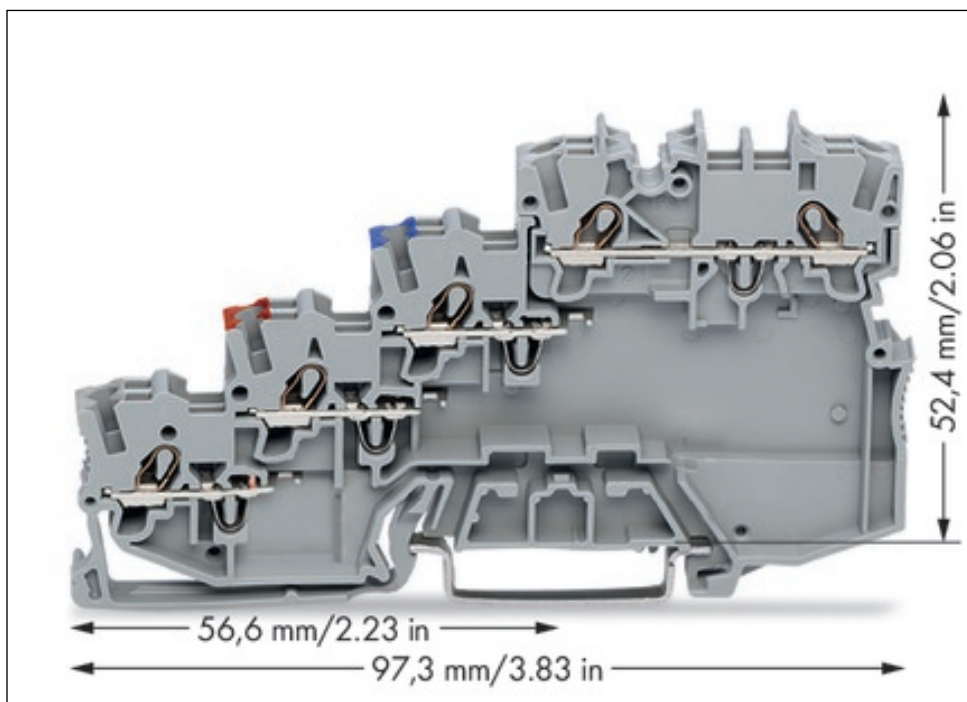
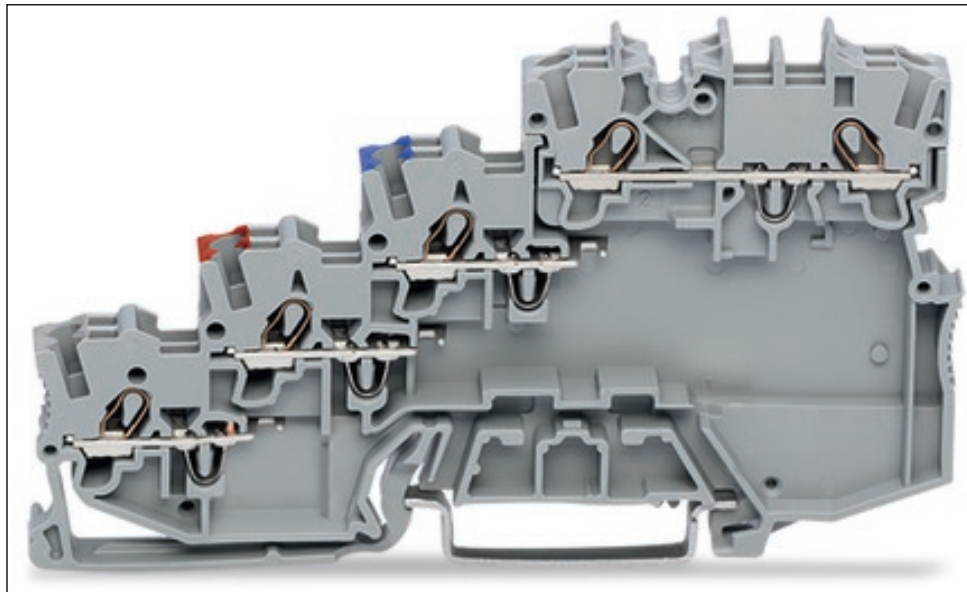
### Technical data

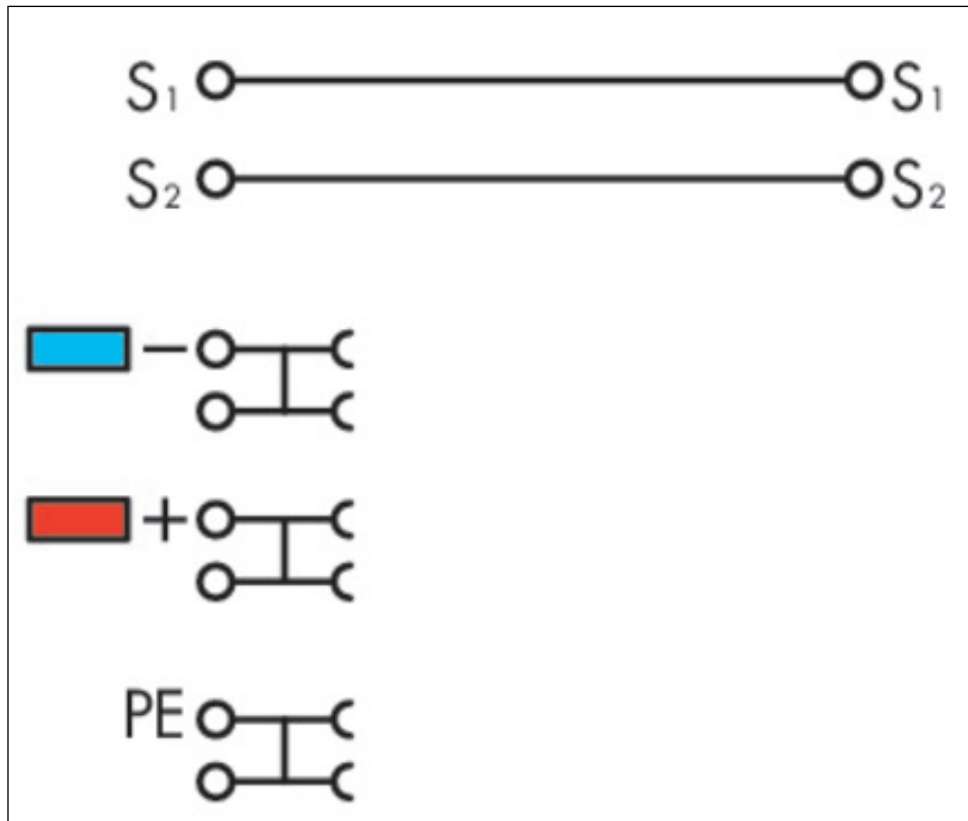
#### Miscellaneous

|                                   |    |
|-----------------------------------|----|
| Total number of connection points | 10 |
| Total number of potentials        | 5  |

| <b>Technical data</b>   |  |
|---|--|
| <i>Color</i>  | <i>gray</i>  |
| <i>Ratings per</i>  | <i>IEC/EN 60947-7-1</i>                            |
| <i>Rated voltage (III / 3) [V]</i>                                  | <i>250 [V]</i>                                     |
| <i>Rated impulse voltage (III / 3) [kV]</i>                         | <i>4 [kV]</i>                                      |
| <i>Rated current [A]</i>  | <i>13.5 [A]</i>                                    |
| <i>Connection technology</i>  | <i>Push-in CAGE CLAMP®</i>                         |
| <i>Number of connection points connector</i>                        | <i>10</i>  |
| <i>Actuation type</i>   | <i>Operating tool</i>                              |
| <i>Connectable conductor materials</i>                              | <i>Copper</i>                                      |
| <i>Nominal cross section</i>  | <i>1 mm<sup>2</sup></i>                            |
| <i>Solid conductor</i>  | <i>0.14 ... 1.5 mm<sup>2</sup> / 24 ... 16 AWG</i> |
| <i>Solid conductor, push-in termination</i>                         | <i>0.5 ... 1.5 mm<sup>2</sup> / 20 ... 16 AWG</i>  |
| <i>Fine-stranded conductor</i>                                      | <i>0.14 ... 1.5 mm<sup>2</sup> / 24 ... 16 AWG</i> |
| <i>Fine-stranded conductor with ferrule, push-in termination fr</i> | <i>0.5 mm<sup>2</sup> / 20 AWG</i>                 |
| <i>Strip length</i>   | <i>9 ... 11 mm / 0.35 ... 0.43 Inch</i>            |
| <i>Type of wiring</i>   | <i>Front-entry wiring</i>                          |
| <i>Design</i>   | <i>horizontal</i>                                  |
| <i>Marking level</i>  | <i>Center/side marking</i>                         |
| <i>Insulating material</i>  | <i>Polyamide 66 (PA 66)</i>                        |
| <i>Fire load [MJ]</i>   | <i>0.358 [MJ]</i>                                  |
| <i>Weight [g]</i>   | <i>17.53 [g]</i>                                   |
| <i>Width</i>  | <i>7 mm / 0.276 Inch</i>                           |
| <i>Height from upper-edge of DIN-35 rail</i>                        | <i>52.4 mm / 2.063 Inch</i>                        |
| <i>Type of mounting</i>   | <i>DIN-35 x 15 carrier rail</i>                    |

Images & drawings





#### Address

WAGO Kontakttechnik GmbH & Co. KG

Hansastr. 27

32423 Minden

Telefon: 0571/887-0

Fax: 0571/887-169

<http://www.wago.com>

© WAGO Kontakttechnik GmbH & Co. KG

Technische Änderungen und Irrtümer vorbehalten.