



PCB terminal block; operating lever; 4 mm²; Pin spacing 11.5 mm; 5-pole; Push-in CAGE CLAMP®

Item No.: 2604-3505



PCB terminal block; operating lever; 4 mm²; Pin spacing 11.5 mm; 5-pole; Push-in CAGE CLAMP®

Marking

RoHS ✓
Compliant

Business data

| | |
|----------------------|---------------|
| Supplier | WAGO |
| Item no. | 2604-3505 |
| GTIN / EAN | 4055143565011 |
| Content | 1 |
| Order amount | 40 |
| Customer item number | |

Notes

Item description: Terminal strips with Push-in CAGE CLAMP® connection and push-button actuation Push-in termination of solid and ferruled, fine-stranded conductors Flush-mount push-buttons that close with minimal force for convenient termination/removal of fine-stranded conductors Convenient, tool-free operation Versions with/without test slots and spacers Versions available with custom internal commoning (factory assembly), e.g., commoning ground conductor

Technical data

Miscellaneous

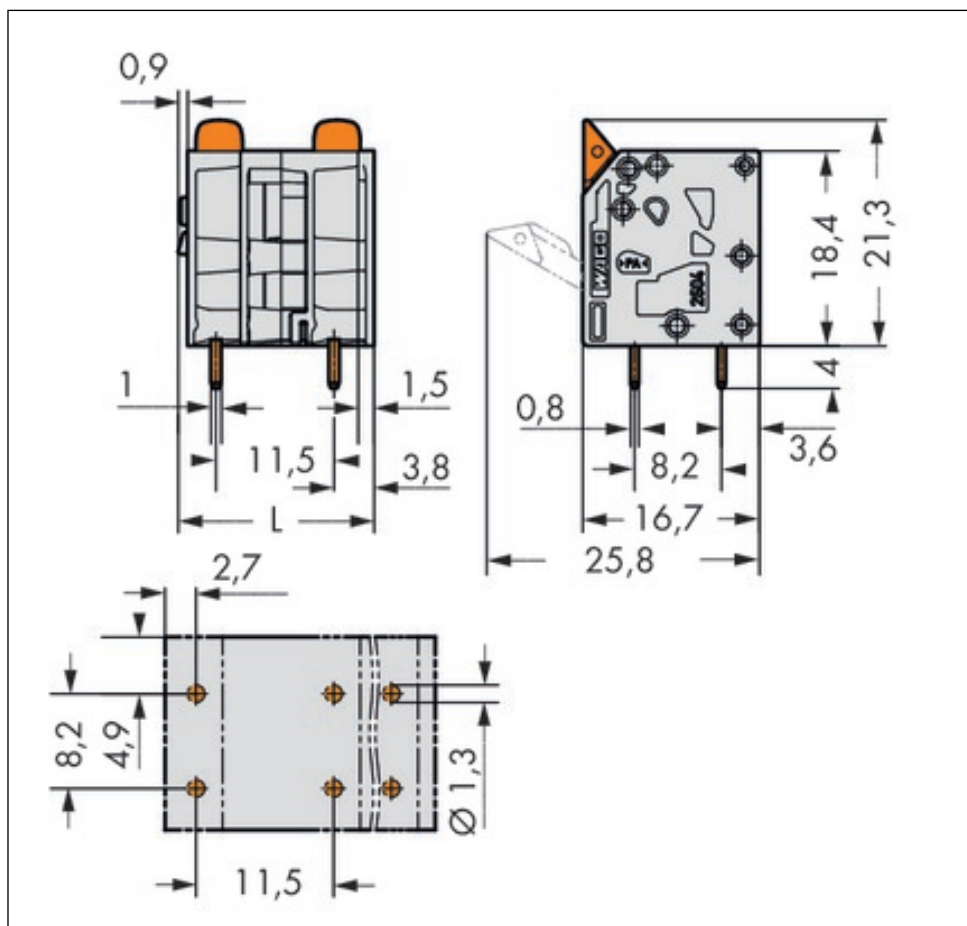
| | |
|--------------|--------------------|
| No. of poles | 5 |
| Pin spacing | 11.5 mm (0.453 in) |

| Technical data | |
|---|---|
| Total number of connection points | 5 |
| Total number of potentials | 5 |
| Color | gray |
| Ratings per | IEC/EN 60664-1 |
| Rated voltage (III / 3) [V] | 1000 [V] |
| Rated impulse voltage (III / 3) [kV] | 8 [kV] |
| Rated voltage (III/2) [V] | 1000 [V] |
| Rated impulse voltage (III / 2) [kV] | 8 [kV] |
| Rated voltage (II / 2) [V] | 1000 [V] |
| Rated impulse voltage (II / 2) [kV] | 8 [kV] |
| Rated current [A] | 32 [A] |
| Legend for ratings | (III / 2) Overvoltage category III / Pollution degree 2 |
| Number of connection objects | 1 |
| Number of levels | 1 |
| Connection technology | Push-in CAGE CLAMP® |
| Number of connection points connector | 1 |
| Actuation type | Operating lever |
| Solid conductor | 0.2 ... 4 mm ² / 24 ... 12 AWG |
| Fine-stranded conductor | 0.2 ... 4 mm ² / 24 ... 12 AWG |
| Fine-stranded conductor with ferrule with plastic collar | 0.25 ... 2.5 mm ² / ... |
| Fine-stranded conductor with ferrule without plastic collar | 0.25 ... 2.5 mm ² / ... |
| Strip length | 9 ... 11 mm / 0.35 ... 0.43 Inch |
| Conductor entry angle to the PCB [°] | 90 [°] |
| Solder pin arrangement | over the entire terminal strip, in line |
| Solder pin length [mm] | 4 [mm] |
| Drilled hole diameter (tolerance) [mm] | 1.3(+ 0.1) [mm] |
| Material group | I |
| Insulating material | Polyamide 66 (PA 66) |
| Flammability class per UL94 | V0 |
| Limit temperature range | -60 ... 105 °C |
| Clamping spring material | Chrome-nickel spring steel (CrNi) |
| Contact material | Electrolytic copper (Ecu) |
| Contact plating | tin-plated |
| Weight [g] | 13 [g] |

| Technical data | |
|--------------------------------|-----------------------------|
| <i>Width</i> | <i>53.4 mm / 2.102 Inch</i> |
| <i>Height</i> | <i>25.3 mm / 0.996 Inch</i> |
| <i>Height from the surface</i> | <i>21.3 mm / 0.839 Inch</i> |
| <i>Depth</i> | <i>16.7 mm / 0.657 Inch</i> |
| <i>Pin spacing from [mm]</i> | <i>11.5 [mm]</i> |

Images & drawings





Address

WAGO Kontakttechnik GmbH & Co. KG

Hansastr. 27

32423 Minden

Telefon: 0571/887-0

Fax: 0571/887-169

<http://www.wago.com>

© WAGO Kontakttechnik GmbH & Co. KG

Technische Änderungen und Irrtümer vorbehalten.