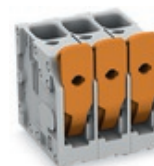




**PCB terminal block; operating lever; 6 mm<sup>2</sup>; Pin spacing 7.5 mm; 5-pole; Push-in CAGE CLAMP®**

Item No.: 2606-3105/020-000



PCB terminal block; operating lever; 6 mm<sup>2</sup>; Pin spacing 7.5 mm; 5-pole; Push-in CAGE CLAMP®

### Marking

RoHS ✓  
Compliant

### Business data

|                      |                   |
|----------------------|-------------------|
| Supplier             | WAGO              |
| Item no.             | 2606-3105/020-000 |
| GTIN / EAN           | 4055143586634     |
| Content              | 1                 |
| Order amount         | 50                |
| Customer item number |                   |

### Notes

*Item description: Terminal strips with Push-in CAGE CLAMP® connection and push-button actuation Push-in termination of solid and ferruled, fine-stranded conductors Flush-mount push-buttons that close with minimal force for convenient termination/removal of fine-stranded conductors Convenient, tool-free operation Versions with/without test slots and spacers Versions available with custom internal commoning (factory assembly), e.g., commoning ground conductor*

### Technical data

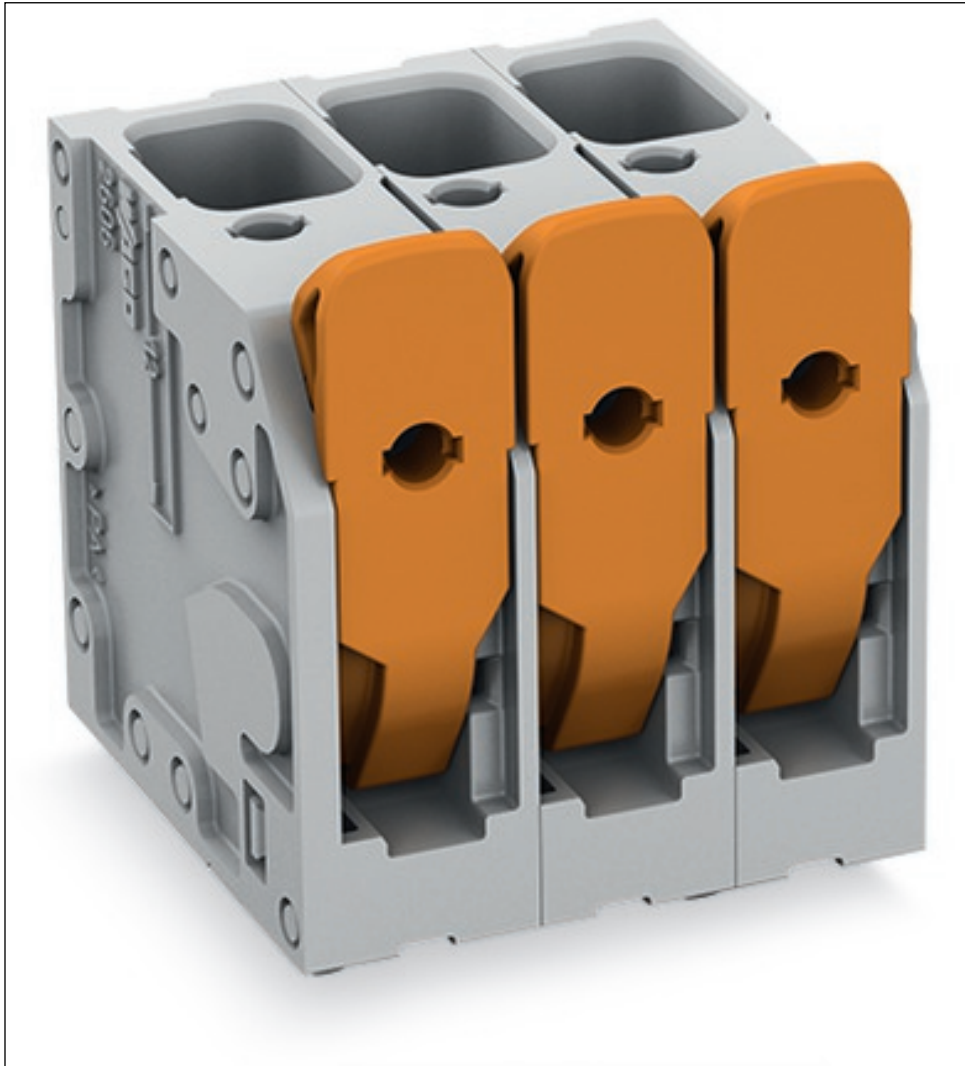
#### Miscellaneous

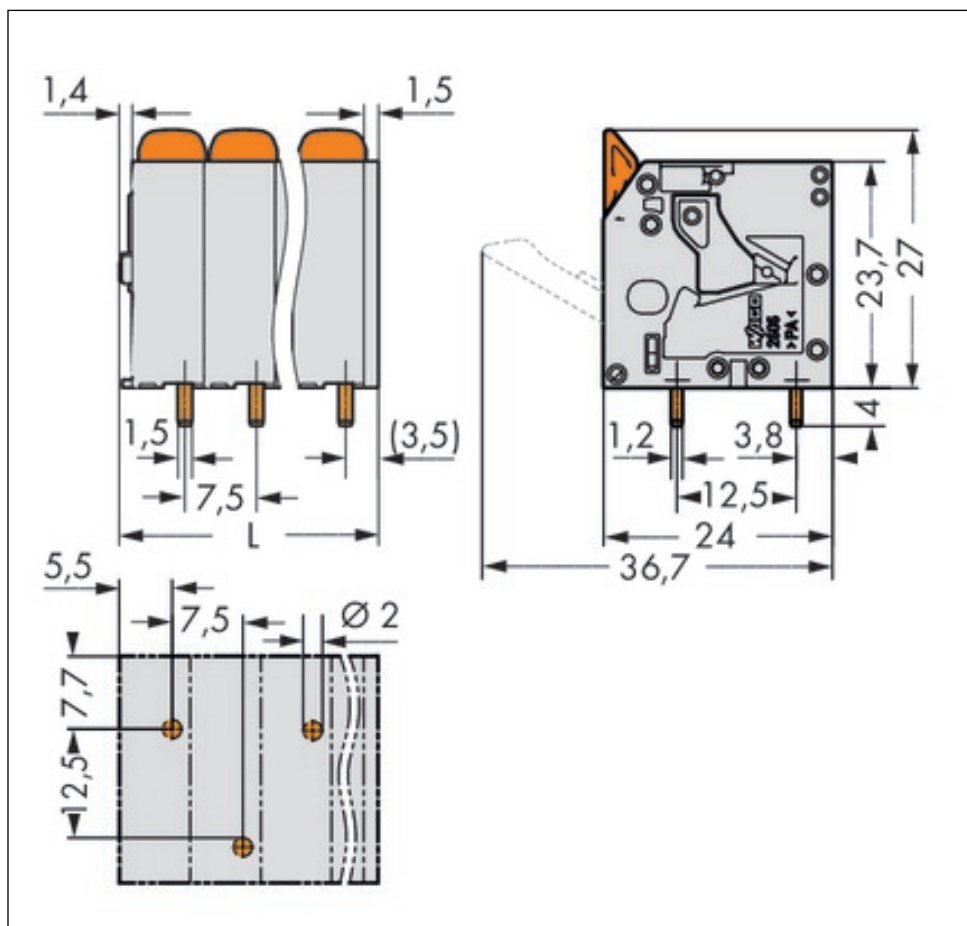
|              |                   |
|--------------|-------------------|
| No. of poles | 5                 |
| Pin spacing  | 7.5 mm (0.295 in) |

| <b>Technical data</b>                                       |   |
|---|---|
| Total number of connection points                           | 5   |
| Total number of potentials                                  | 5   |
| Color   | gray  |
| Ratings per   | IEC/EN 60664-1  |
| Rated voltage (III / 3) [V]                                 | 800 [V]   |
| Rated impulse voltage (III / 3) [kV]                        | 8 [kV]  |
| Rated voltage (III/2) [V]                                   | 1000 [V]  |
| Rated impulse voltage (III / 2) [kV]                        | 8 [kV]  |
| Rated voltage (II / 2) [V]                                  | 1000 [V]  |
| Rated impulse voltage (II / 2) [kV]                         | 8 [kV]  |
| Rated current [A]   | 41 [A]  |
| Legend for ratings  | (III / 2) Overvoltage category III / Pollution degree 2 |
| Number of connection objects                                | 1   |
| Number of levels  | 1   |
| Connection technology                                       | Push-in CAGE CLAMP®                                     |
| Number of connection points connector                       | 1   |
| Actuation type  | Operating lever   |
| Solid conductor   | 0.2 ... 10 mm <sup>2</sup> / 24 ... 8 AWG               |
| Fine-stranded conductor                                     | 0.2 ... 10 mm <sup>2</sup> / 24 ... 8 AWG               |
| Fine-stranded conductor with ferrule with plastic collar    | 0.25 ... 6 mm <sup>2</sup> / ...                        |
| Fine-stranded conductor with ferrule without plastic collar | 0.5 ... 6 mm <sup>2</sup> / ...                         |
| Strip length  | 11 ... 13 mm / 0.43 ... 0.51 Inch                       |
| Conductor entry angle to the PCB [°]                        | 90 [°]  |
| Solder pin arrangement                                      | over the entire terminal strip, staggered               |
| Solder pin length [mm]                                      | 4 [mm]  |
| Drilled hole diameter (tolerance) [mm]                      | 2(+ 0.1) [mm]   |
| Material group  | I   |
| Insulating material   | Polyamide 66 (PA 66)                                    |
| Flammability class per UL94                                 | V0  |
| Limit temperature range                                     | -60 ... 105 °C  |
| Clamping spring material                                    | Chrome-nickel spring steel (CrNi)                       |
| Contact material  | Electrolytic copper (Ecu)                               |
| Contact plating   | tin-plated  |
| Fire load [MJ]  | 0.37 [MJ]   |

| <b>Technical data</b>          |                              |
|--------------------------------|------------------------------|
| <i>Weight [g]</i>              | <i>21.358 [g]</i>            |
| <i>Width</i>                   | <i>40.35 mm / 1.589 Inch</i> |
| <i>Height</i>                  | <i>31 mm / 1.22 Inch</i>     |
| <i>Height from the surface</i> | <i>27 mm / 1.063 Inch</i>    |
| <i>Depth</i>                   | <i>24 mm / 0.945 Inch</i>    |
| <i>Pin spacing from [mm]</i>   | <i>7.5 [mm]</i>              |

Images & drawings





#### Address

WAGO Kontakttechnik GmbH & Co. KG

Hansastr. 27

32423 Minden

Telefon: 0571/887-0

Fax: 0571/887-169

<http://www.wago.com>

© WAGO Kontakttechnik GmbH & Co. KG

Technische Änderungen und Irrtümer vorbehalten.