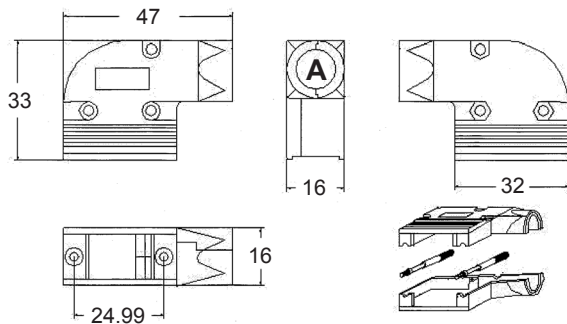


D-Sub Cover

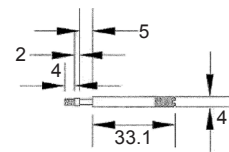


MC001556

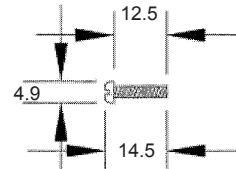
Diagram



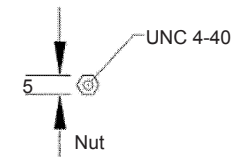
A: for cable dia. 11



Thumbscrew H07-DAR

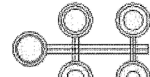


Screw # 4-12.5 UNC 4-40

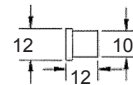


Nut

09/15 G



Dia. 5, 6, 7, 8, 9



Tolerance: $\pm 0.5\text{mm}$

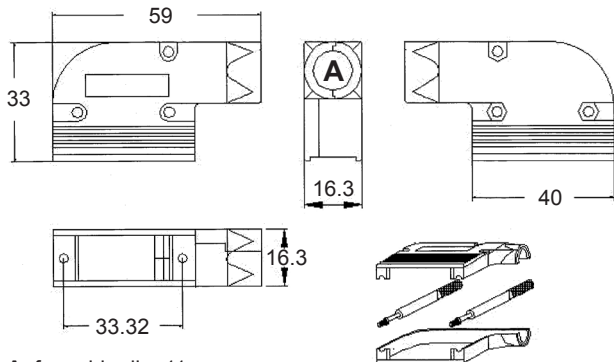
Specifications

- Cable Exit Angle : 90
- Connector Body Material : Zinc Alloy Body
- Accessory Type : D-Sub Cover
- Finished : Nickel plated

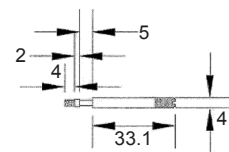


MC001557

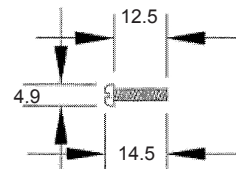
Diagram



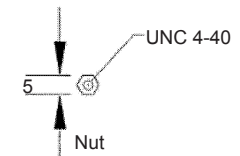
A: for cable dia. 11
Tolerance: $\pm 0.5\text{mm}$



Thumbscrew H07-DAR

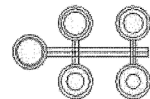


Screw # 4-12.5 UNC 4-40



Nut

09/15 G



Dia. 5, 6, 7, 8, 9



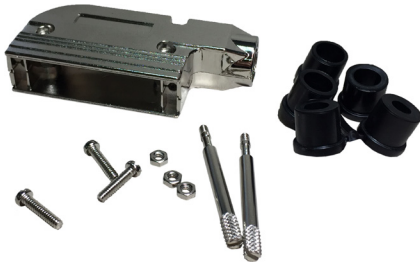
Dimensions : Millimetres

Specifications

- Cable Exit Angle : 90
- Connector Body Material : Zinc Alloy Body
- Accessory Type : D-Sub Cover
- Finished : Nickel plated



D-Sub Cover

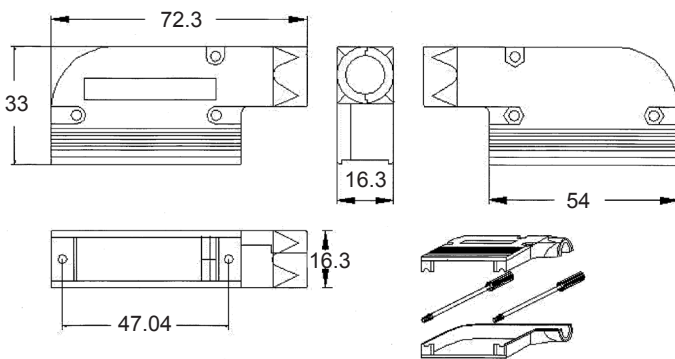


MC001558

Specifications

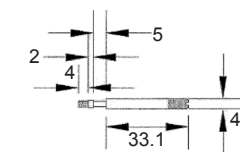
Cable Exit Angle : 90
 Connector Body Material : Zinc Alloy Body
 Accessory Type : D-Sub Cover
 Finished : Nickel plated

Diagram

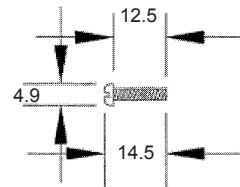


A: for cable dia. 13

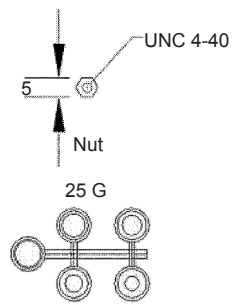
Tolerance: ±0.5mm



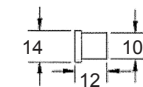
Thumbscrew H07-DAR



Screw # 4-12.5 UNC 4-40



Dia. 6, 7, 8, 9, 10



Dimensions : Millimetres

Part Number Table

Description	Part Number
D-Sub Cover	MC001556
	MC001557
	MC001558

Important Notice : This data sheet and its contents (the "Information") belong to the members of the Premier Farnell group of companies (the "Group") or are licensed to it. No licence is granted for the use of it other than for information purposes in connection with the products to which it relates. No licence of any intellectual property rights is granted. The Information is subject to change without notice and replaces all data sheets previously supplied. The Information supplied is believed to be accurate but the Group assumes no responsibility for its accuracy or completeness, any error in or omission from it or for any use made of it. Users of this data sheet should check for themselves the Information and the suitability of the products for their purpose and not make any assumptions based on information included or omitted. Liability for loss or damage resulting from any reliance on the Information or use of it (including liability resulting from negligence or where the Group was aware of the possibility of such loss or damage arising) is excluded. This will not operate to limit or restrict the Group's liability for death or personal injury resulting from its negligence. Multicom is the registered trademark of the Group. © Premier Farnell Limited 2016.

