

Zelio® Logic 2

Programmable Smart Relays

Compact and modular smart relays
Separate components



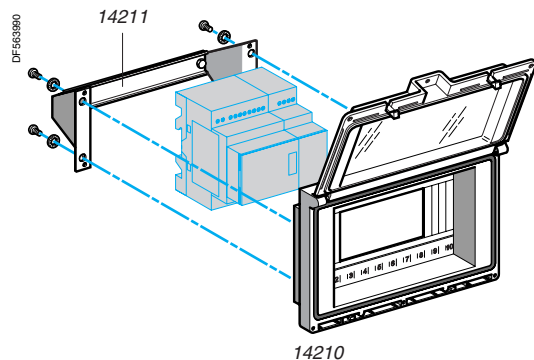
SR2 SFT01



SR2 USB01



SR2 MEM01
SR2 MEM02



“Zelio Soft 2” software for PC

Description	Application	Reference	Weight kg
Programming software “Zelio Soft 2”, multilingual	For PC, supplied on CD-ROM (1), compatible with Microsoft® Windows 98, NT, 2000, XP and ME.	SR2 SFT01	0.200
Connecting cable	Between the PC (SUB-D, 9-pin connector) and the smart relay, length: 3 m (9.8 ft.)	SR2 CBL01	0.150
	Between the PC (USB connector) & the smart relay, length: 3 m (9.8 ft.)	SR2 USB01	0.100
Interface	For USB port (to be used with cable SR2 CBL01), length: 1.8 m (5.9 ft.)	SR2 CBL06	0.350

Memory cartridges (2)

Description	Application	Reference	Weight kg
EEPROM memory cartridge	For software incorporated in the smart relay version ≤ 2.4 (no firmware of any version)	SR2 MEM01	0.010
	For firmware (software incorporated in the smart relay) version ≥ 3.0	SR2 MEM02	0.010

Modem communication interface (3)

Description	Supply	Reference	Weight kg
Modem communication interface	≈ 12 to 24 V	See page 38	

Power supplies

Input voltage	Nominal output voltage	Reference	Weight kg
~ 100 to 240 V (47 to 63 Hz)	≈ 12 V or ≈ 24 V	See page 45	–

Mounting accessories (4)

Description	Mounting capacity	Application	Reference	Weight kg
Dust and damp-proof enclosure with split blanking plate arrangement, fitted with IP 55 dust and damp-proof window with hinged flap.	- 1 or 2 SR2 modules with 10 or 12 I/O, or - 1 SR2 module with 20 I/O, or - 1 SR3 module with 10 I/O + 1 I/O extension module (6, 10 or 14 I/O), or - 1 SR3 module with 26 I/O + 1 I/O extension module (6 I/O).	For mounting through a door	14210	0.350
Mounting bracket and symmetrical mounting rail	–	For mounting enclosure 14210 through a door panel	14211	0.210

Documentation

Description	Application	Language	Reference	Weight kg
User's manual	For direct programming on the smart relay	English	SR2 MAN01EN	0.100
		French	SR2 MAN01FR	0.100
		German	SR2 MAN01DE	0.100
		Spanish	SR2 MAN01ES	0.100
		Italian	SR2 MAN01IT	0.100
		Portuguese	SR2 MAN01PO	0.100

(1) CD-ROM comprising “Zelio Soft 2” software, an application library, a self-training manual, installation instructions and a user's manual.

(2) Program loading using memory cartridge SR2 MEM02 is incompatible with Modem communication interface SR2 COM01.

(3) See pages 32 to 41.

(4) Products marketed under the Merlin Gerin™ brand.