



Is Now Part of



ON Semiconductor®

To learn more about ON Semiconductor, please visit our website at
www.onsemi.com

ON Semiconductor and the ON Semiconductor logo are trademarks of Semiconductor Components Industries, LLC dba ON Semiconductor or its subsidiaries in the United States and/or other countries. ON Semiconductor owns the rights to a number of patents, trademarks, copyrights, trade secrets, and other intellectual property. A listing of ON Semiconductor's product/patent coverage may be accessed at www.onsemi.com/site/pdf/Patent-Marking.pdf. ON Semiconductor reserves the right to make changes without further notice to any products herein. ON Semiconductor makes no warranty, representation or guarantee regarding the suitability of its products for any particular purpose, nor does ON Semiconductor assume any liability arising out of the application or use of any product or circuit, and specifically disclaims any and all liability, including without limitation special, consequential or incidental damages. Buyer is responsible for its products and applications using ON Semiconductor products, including compliance with all laws, regulations and safety requirements or standards, regardless of any support or applications information provided by ON Semiconductor. "Typical" parameters which may be provided in ON Semiconductor data sheets and/or specifications can and do vary in different applications and actual performance may vary over time. All operating parameters, including "Typicals" must be validated for each customer application by customer's technical experts. ON Semiconductor does not convey any license under its patent rights nor the rights of others. ON Semiconductor products are not designed, intended, or authorized for use as a critical component in life support systems or any FDA Class 3 medical devices or medical devices with a same or similar classification in a foreign jurisdiction or any devices intended for implantation in the human body. Should Buyer purchase or use ON Semiconductor products for any such unintended or unauthorized application, Buyer shall indemnify and hold ON Semiconductor and its officers, employees, subsidiaries, affiliates, and distributors harmless against all claims, costs, damages, and expenses, and reasonable attorney fees arising out of, directly or indirectly, any claim of personal injury or death associated with such unintended or unauthorized use, even if such claim alleges that ON Semiconductor was negligent regarding the design or manufacture of the part. ON Semiconductor is an Equal Opportunity/Affirmative Action Employer. This literature is subject to all applicable copyright laws and is not for resale in any manner.

FSAV331 — Dual-Channel, 4:1 Video Switch

Features

- Wide Bandwidth: 300MHz
- -73dB Non-Adjacent Channel Crosstalk at 10MHz
- -56dB Off Isolation at 10MHz
- On Resistance: 3Ω (Typical)
- Low Power Consumption: 3μA (Maximum)
- Control Inputs Compatible with TTL Level

Applications

- Y/C Video or CVBS Video Switch in LCD, Plasma, and Projector Displays

Description

The Fairchild video switch FSAV331 is a dual 4:1 high speed video switch which can be configured as either multiplexer or demultiplexer. Low on-resistance allows inputs to be connected to outputs without adding propagation delay or generating additional ground bounce noise.

When the OE Pin is LOW, S₀ and S₁ connect the A Port to the selected B Port output. When the OE Pin is HIGH, the switch is OPEN and a HIGH-Impedance state exists between the two ports.

Ordering Information

| Part Number | Operating Temperature Range | Package | Packing Method |
|-------------|-----------------------------|--|----------------|
| FSAV331MTCX | -40 to +85°C | 16-Lead, Thin Shrink Small Outline Package (TSSOP), JEDEC MO-153, 4.4mm Wide | Tape and Reel |

Pin Configurations

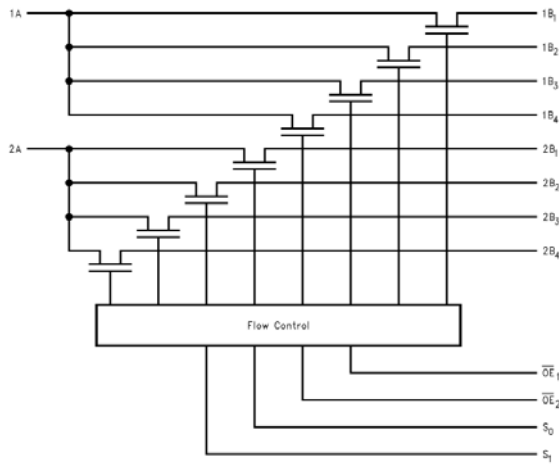


Figure 1. Logic Diagram

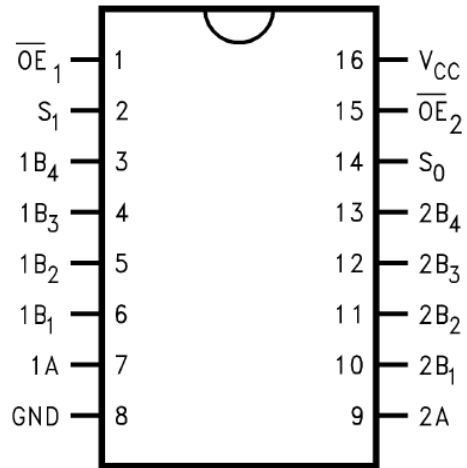


Figure 2. Pin Assignments

Pin Descriptions

| Pin # | Name | Description |
|----------------|------------------------------------|---------------------|
| 1, 15 | $\overline{OE}_1, \overline{OE}_2$ | Port Enable |
| 2, 14 | S_1, S_0 | Select Input |
| 3, 4, 5, 6 | 1B4, 1B3, 1B2, 1B1 | B-Ports (Channel 1) |
| 7, 9 | 1A, 2A | A-Ports |
| 8 | GND | Ground |
| 10, 11, 12, 13 | 2B1, 2B2, 2B3, 2B4 | B-Ports (Channel 2) |
| 16 | V_{CC} | Supply Voltage |

Truth Table

| S_1 | S_0 | \overline{OE}_1 | \overline{OE}_2 | Function |
|------------|------------|-------------------|-------------------|------------------|
| Don't Care | Don't Care | HIGH | Don't Care | Disconnect 1A |
| Don't Care | Don't Care | Don't Care | HIGH | Disconnect 2A |
| LOW | LOW | LOW | LOW | A=B ₁ |
| LOW | HIGH | LOW | LOW | A=B ₂ |
| HIGH | LOW | LOW | LOW | A=B ₃ |
| HIGH | HIGH | LOW | LOW | A=B ₄ |

Absolute Maximum Ratings

Stresses exceeding the absolute maximum ratings may damage the device. The device may not function or be operable above the recommended operating conditions and stressing the parts to these levels is not recommended. In addition, extended exposure to stresses above the recommended operating conditions may affect device reliability. The absolute maximum ratings are stress ratings only.

| Symbol | Parameter | Min. | Max. | Unit |
|------------------|---------------------------------|------|----------------------|------|
| V _{CC} | Supply Voltage | -0.5 | +7.0 | V |
| V _S | DC Switch Voltage | -0.5 | V _{CC} +0.5 | V |
| V _{IN} | DC Input Voltage ⁽¹⁾ | -0.5 | +7.0 | V |
| I _{IK} | DC Input Diode Current | -50 | | mA |
| I _{OUT} | DC Output Current | | 128 | mA |
| T _{STG} | Storage Temperature Range | -65 | +150 | °C |
| ESD | Human Body Model, JESD22-A114 | | 2000 | V |

Note:

- The input and output negative voltage ratings may be exceeded if the input and output diode current ratings are observed.

Recommended Operating Conditions

The Recommended Operating Conditions table defines the conditions for actual device operation. Recommended operating conditions are specified to ensure optimal performance to the datasheet specifications. Fairchild does not recommend exceeding them or designing to Absolute Maximum Ratings.

| Symbol | Parameter | Min. | Max. | Unit |
|-----------------|---------------------------------|------|-----------------|------|
| V _{CC} | Power Supply | 4.75 | 5.25 | V |
| V _{IN} | Control Input Voltage | 0 | V _{CC} | V |
| V _{SW} | Switch Input Voltage | 0 | V _{CC} | V |
| T _A | Operating Temperature, Free Air | -40 | +85 | °C |
| θ _{JA} | Thermal Resistance | | 100 | °C/W |

Note:

- Unused control inputs must be held HIGH or LOW; they may not float.

DC Electrical Characteristics

Typical values are at V_{CC}=5.0V and T_A= +25°C.

| Symbol | Parameter | Conditions | V _{CC} (V) | T _A = -40 to +85°C | | | Units |
|---------------------|-------------------------------------|--|---------------------|-------------------------------|------|------|-------|
| | | | | Min. | Typ. | Max. | |
| V _{ANALOG} | Analog Signal Range | | 4.75 to 5.25 | 0 | | 2 | V |
| V _{IK} | Clamp Diode Voltage | I _{IN} =-18mA | 4.75 | | | -1.2 | V |
| V _{IH} | High-Level Input Voltage | | 4.75 to 5.25 | 2.0 | | | V |
| V _{IL} | Low-Level Input Voltage | | 4.75 to 5.25 | | | 0.8 | V |
| I _{IN} | Control Input Leakage | V _{IN} =0V to V _{CC} | 5.25 | | | ±1.0 | μA |
| I _{OZ} | Off-State Leakage Current | 0 ≤ A, B ≤ V _{CC} | 5.25 | | | ±1.0 | μA |
| R _{ON} | Switch On Resistance ⁽³⁾ | V _{IN} =1.0V, I _{ON} =13mA | 4.75 | | 3 | 7 | Ω |
| | | V _{IN} =2.0V, I _{ON} =26mA | 4.75 | | 5 | 10 | |
| I _{CC} | Quiescent Supply Current | V _{IN} =0V or V _{CC} , I _{OUT} =0 | 5.25 | | | 3 | μA |

Note:

- Measured by the voltage drop between the A and B pins at the indicated current through the switch. On resistance is determined by the lower of the voltages on the A or B pins.

AC Electrical Characteristics

Typical values are at $T_A=+25^{\circ}\text{C}$ and $V_{CC}=5.0\text{V}$

| Symbol | Parameter | Conditions | V_{CC} (V) | $T_A = -40$ to $+85^{\circ}\text{C}$ | | | Units | Figure |
|--------------------|--|--|--------------|--------------------------------------|-------|------|-------|-----------------------|
| | | | | Min. | Typ. | Max. | | |
| t_{ON} | Turn On Time; S to B | $V_I=7\text{V}$ for t_{PZL} $V_I=\text{Open}$ for t_{PZH} | 4.75 to 5.25 | 1.0 | | 5.3 | ns | Figure 3, Figure 4 |
| | Output Enable Time OE to A or B | | | 1.0 | | 5.3 | | |
| t_{OFF} | Turn Off Time; S to B | $V_I=7\text{V}$ for t_{PLZ} $V_I=\text{Open}$ for t_{PHZ} | 4.75 to 5.25 | 1.0 | | 5.8 | ns | Figure 3, Figure 4 |
| | Output Disable Time OE to A or B | | | 1.0 | | 5.5 | | |
| t_{PLH}, t_{PHL} | Propagation Delay ⁽⁴⁾ | $V_I=\text{Open}$ | 4.75 to 5.25 | | | 0.1 | ns | |
| | Select to A Delay | | | | | 5.0 | | |
| D_G | Differential Gain ⁽⁵⁾ | $R_L=150\Omega$, $f=3.58\text{MHz}$ | 4.75 to 5.25 | | 0.26 | | % | |
| D_P | Differential Phase ⁽⁵⁾ | $R_L=150\Omega$, $f=3.58\text{MHz}$ | 4.75 to 5.25 | | 0.23 | | ° | |
| O_{IRR} | Non Adjacent Off Isolation | $R_L=150\Omega$, $f=10\text{MHz}$ | 4.75 to 5.25 | | -56.0 | | dB | Figure 5 |
| X_{TALK} | Non Adjacent Channel Crosstalk ⁽⁵⁾ | $R_L=150\Omega$, $f=10\text{MHz}$ | 4.75 to 5.25 | | -73.0 | | dB | Figure 6 |
| B_W | -3dB Bandwidth ⁽⁵⁾ | $R_L=50\Omega$ | 4.75 to 5.25 | | 300 | | MHz | Figure 7 |

Note:

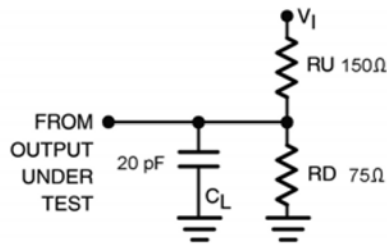
- This parameter is guaranteed by design.
- This parameter is guaranteed by device characterization, not production tested.

Capacitance

Typical values are at $T_A=+25^{\circ}\text{C}$.

| Symbol | Parameter | Conditions | Typ. | Units |
|-----------|-------------------------------|-------------------------------------|------|-------|
| C_{IN} | Control Pin Input Capacitance | $V_{CC}=5.0\text{V}$ | 2 | pF |
| C_{ON} | A/B On Capacitance | $V_{CC}=5.0\text{V}, /OE=0\text{V}$ | 39 | pF |
| C_{OFF} | A Port | $V_{CC}, /OE=5.0\text{V}$ | 13 | pF |
| | B Port | | 5 | |

AC Loadings and Waveforms



Notes:

6. Input drive by 50Ω source terminated in 50Ω .
7. C_L includes load and stray capacitance.
8. Input PRR=1.0MHz, $t_w=500\text{ns}$.

Figure 3. AC Test Circuit

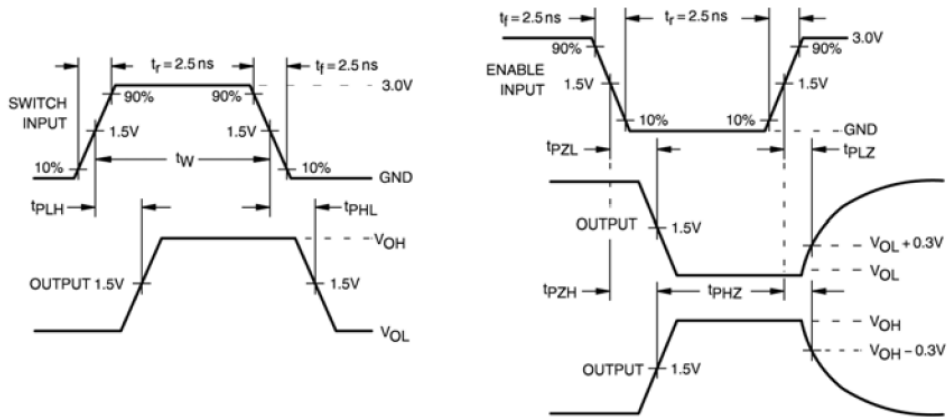


Figure 4. AC Waveforms

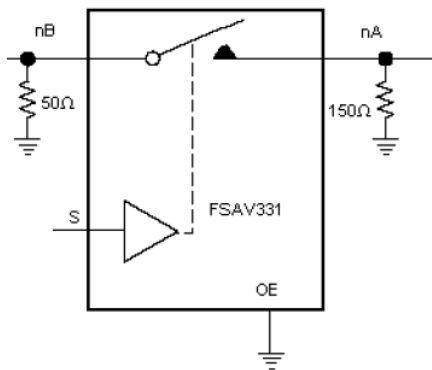


Figure 5. Off Isolation

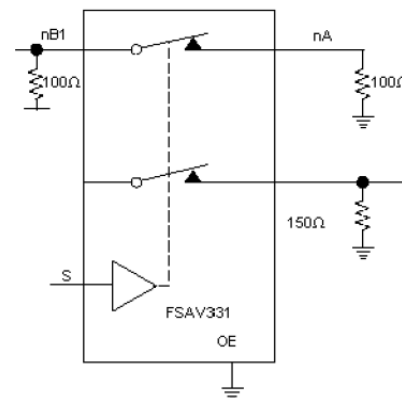


Figure 6. Crosstalk

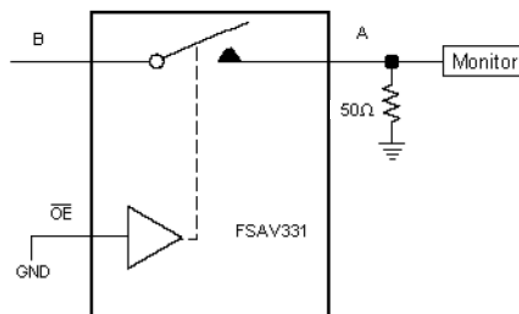
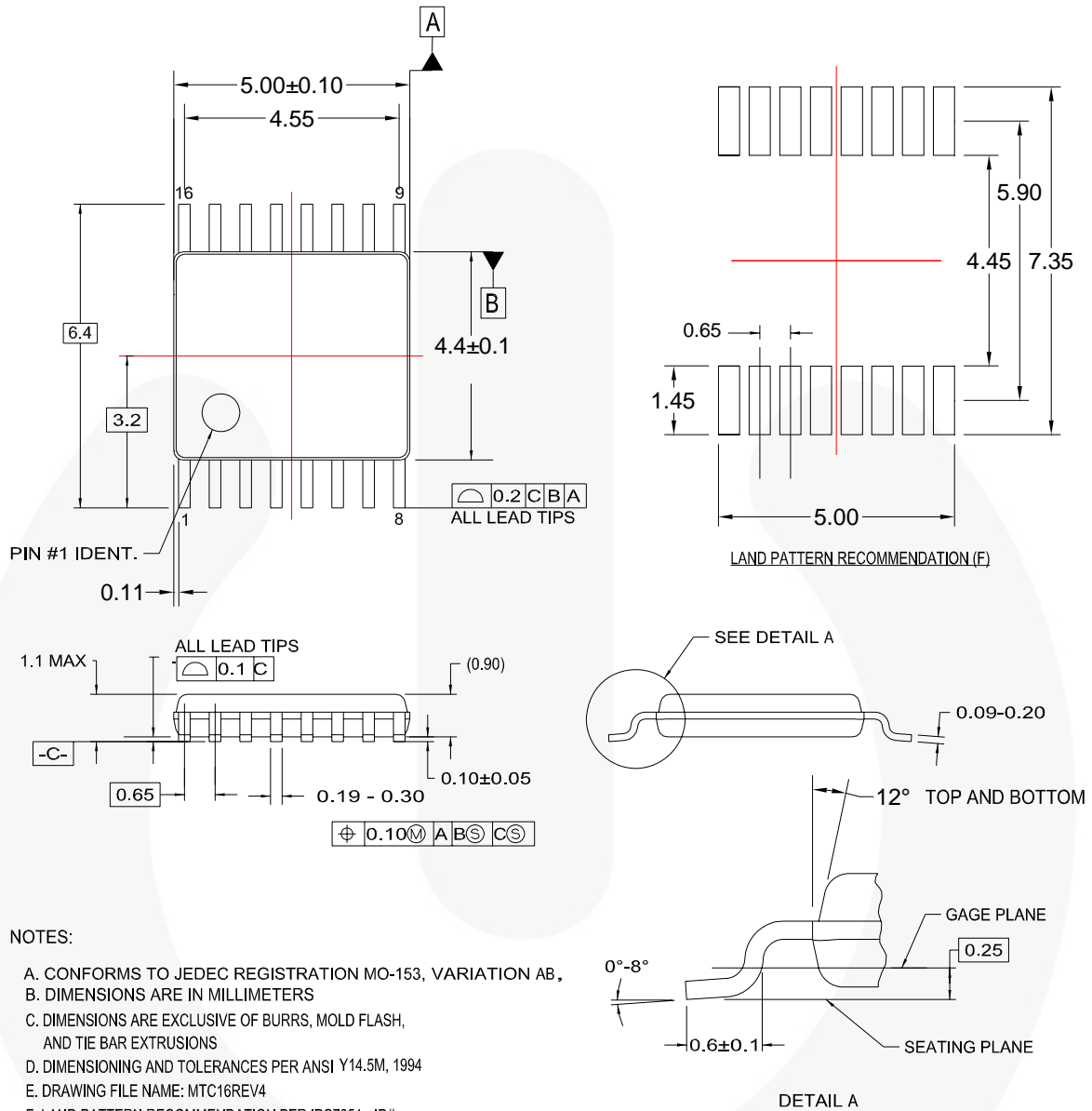


Figure 7. Bandwidth

Physical Dimensions



MTC16rev4

Figure 8. 16-Lead, Thin Shrink Small Outline Package (TSSOP), JEDEC MO-153, 4.4mm Wide







Package drawings are provided as a service to customers considering Fairchild components. Drawings may change in any manner without notice. Please note the revision and/or date on the drawing and contact a Fairchild Semiconductor representative to verify or obtain the most recent revision. Package specifications do not expand the terms of Fairchild's worldwide terms and conditions, specifically the warranty therein, which covers Fairchild products.

Always visit Fairchild Semiconductor's online packaging area for the most recent package drawings:
<http://www.fairchildsemi.com/packaging/>



TRADEMARKS

The following includes registered and unregistered trademarks and service marks, owned by Fairchild Semiconductor and/or its global subsidiaries, and is not intended to be an exhaustive list of all such trademarks.

- | | | | |
|--|--|--|---|
| AccuPower™ | F-PFS™ | Power-SPM™ |  SYSTEM GENERAL |
| Auto-SPM™ | FRFET® | PowerTrench® | The Power Franchise® |
| Build it Now™ | Global Power Resource SM | PowerXS™ |  the power franchise |
| CorePLUS™ | Green FPST™ | Programmable Active Droop™ | TinyBoost™ |
| CorePOWER™ | Green FPST™ e-Series™ | QFET® | TinyBuck™ |
| CROSSVOLT™ | Gmax™ | QS™ | TinyCalc™ |
| CTL™ | GTO™ | Quiet Series™ | TinyLogic® |
| Current Transfer Logic™ | IntelliMAX™ | RapidConfigure™ | TINYOPTO™ |
| DEUXPEED® | ISOPLANAR™ |  TM | TinyPower™ |
| Dual Cool™ | MegaBuck™ | Saving our world, 1mW/WkW at a time™ | TinyPVM™ |
| EcoSPARK® | MICROCOUPLER™ | SignalWise™ | TinyWire™ |
| EfficientMax™ | MicroFET™ | SmartMax™ | TriFault Detect™ |
| ESBC™ | MicroPak™ | SMART START™ | TRUECURRENT™* |
|  Fairchild® | MicroPak2™ | SPM® | µSerDes™ |
| Fairchild Semiconductor® | MillerDrive™ | STEALTH™ |  SerDes |
| FACT Quiet Series™ | MotionMax™ | SuperFET® | UHC® |
| FACT™ | Motion-SPM™ | SuperSOT™.3 | Ultra FRFET™ |
| FAST® | OptoHIT™ | SuperSOT™.6 | UniFET™ |
| FastvCore™ | OPTOLOGIC® | SuperSOT™.8 | VCX™ |
| FETBench™ | OPTOPLANAR® | SupreMOS® | VisualMax™ |
| FlashWriter® |  TM | SyncFET™ | XS™ |
| FPS™ | PDP SPM™ | Sync-Lock™ | |

* Trademarks of System General Corporation, used under license by Fairchild Semiconductor.

DISCLAIMER

FAIRCHILD SEMICONDUCTOR RESERVES THE RIGHT TO MAKE CHANGES WITHOUT FURTHER NOTICE TO ANY PRODUCTS HEREIN TO IMPROVE RELIABILITY, FUNCTION, OR DESIGN. FAIRCHILD DOES NOT ASSUME ANY LIABILITY ARISING OUT OF THE APPLICATION OR USE OF ANY PRODUCT OR CIRCUIT DESCRIBED HEREIN; NEITHER DOES IT CONVEY ANY LICENSE UNDER ITS PATENT RIGHTS, NOR THE RIGHTS OF OTHERS. THESE SPECIFICATIONS DO NOT EXPAND THE TERMS OF FAIRCHILD'S WORLDWIDE TERMS AND CONDITIONS, SPECIFICALLY THE WARRANTY THEREIN, WHICH COVERS THESE PRODUCTS.

LIFE SUPPORT POLICY

FAIRCHILD'S PRODUCTS ARE NOT AUTHORIZED FOR USE AS CRITICAL COMPONENTS IN LIFE SUPPORT DEVICES OR SYSTEMS WITHOUT THE EXPRESS WRITTEN APPROVAL OF FAIRCHILD SEMICONDUCTOR CORPORATION.

As used herein:

1. Life support devices or systems are devices or systems which, (a) are intended for surgical implant into the body or (b) support or sustain life, and (c) whose failure to perform when properly used in accordance with instructions for use provided in the labeling, can be reasonably expected to result in a significant injury of the user.
2. A critical component in any component of a life support, device, or system whose failure to perform can be reasonably expected to cause the failure of the life support device or system, or to affect its safety or effectiveness.

ANTI-COUNTERFEITING POLICY

Fairchild Semiconductor Corporation's Anti-Counterfeiting Policy. Fairchild's Anti-Counterfeiting Policy is also stated on our external website, www.fairchildsemi.com, under Sales Support.

Counterfeiting of semiconductor parts is a growing problem in the industry. All manufacturers of semiconductor products are experiencing counterfeiting of their parts. Customers who inadvertently purchase counterfeit parts experience many problems such as loss of brand reputation, substandard performance, failed applications, and increased cost of production and manufacturing delays. Fairchild is taking strong measures to protect ourselves and our customers from the proliferation of counterfeit parts. Fairchild strongly encourages customers to purchase Fairchild parts either directly from Fairchild or from Authorized Fairchild Distributors who are listed by country on our web page cited above. Products customers buy either from Fairchild directly or from Authorized Fairchild Distributors are genuine parts, have full traceability, meet Fairchild's quality standards for handling and storage and provide access to Fairchild's full range of up-to-date technical and product information. Fairchild and our Authorized Distributors will stand behind all warranties and will appropriately address any warranty issues that may arise. Fairchild will not provide any warranty coverage or other assistance for parts bought from Unauthorized Sources. Fairchild is committed to combat this global problem and encourage our customers to do their part in stopping this practice by buying direct or from authorized distributors.

PRODUCT STATUS DEFINITIONS

Definition of Terms

| Datasheet Identification | Product Status | Definition |
|--------------------------|-----------------------|---|
| Advance Information | Formative / In Design | Datasheet contains the design specifications for product development. Specifications may change in any manner without notice. |
| Preliminary | First Production | Datasheet contains preliminary data; supplementary data will be published at a later date. Fairchild Semiconductor reserves the right to make changes at any time without notice to improve design. |
| No Identification Needed | Full Production | Datasheet contains final specifications. Fairchild Semiconductor reserves the right to make changes at any time without notice to improve the design. |
| Obsolete | Not In Production | Datasheet contains specifications on a product that is discontinued by Fairchild Semiconductor. The datasheet is for reference information only. |

Rev. I50

ON Semiconductor and  are trademarks of Semiconductor Components Industries, LLC dba ON Semiconductor or its subsidiaries in the United States and/or other countries. ON Semiconductor owns the rights to a number of patents, trademarks, copyrights, trade secrets, and other intellectual property. A listing of ON Semiconductor's product/patent coverage may be accessed at www.onsemi.com/site/pdf/Patent-Marking.pdf. ON Semiconductor reserves the right to make changes without further notice to any products herein. ON Semiconductor makes no warranty, representation or guarantee regarding the suitability of its products for any particular purpose, nor does ON Semiconductor assume any liability arising out of the application or use of any product or circuit, and specifically disclaims any and all liability, including without limitation special, consequential or incidental damages. Buyer is responsible for its products and applications using ON Semiconductor products, including compliance with all laws, regulations and safety requirements or standards, regardless of any support or applications information provided by ON Semiconductor. "Typical" parameters which may be provided in ON Semiconductor data sheets and/or specifications can and do vary in different applications and actual performance may vary over time. All operating parameters, including "Typicals" must be validated for each customer application by customer's technical experts. ON Semiconductor does not convey any license under its patent rights nor the rights of others. ON Semiconductor products are not designed, intended, or authorized for use as a critical component in life support systems or any FDA Class 3 medical devices or medical devices with a same or similar classification in a foreign jurisdiction or any devices intended for implantation in the human body. Should Buyer purchase or use ON Semiconductor products for any such unintended or unauthorized application, Buyer shall indemnify and hold ON Semiconductor and its officers, employees, subsidiaries, affiliates, and distributors harmless against all claims, costs, damages, and expenses, and reasonable attorney fees arising out of, directly or indirectly, any claim of personal injury or death associated with such unintended or unauthorized use, even if such claim alleges that ON Semiconductor was negligent regarding the design or manufacture of the part. ON Semiconductor is an Equal Opportunity/Affirmative Action Employer. This literature is subject to all applicable copyright laws and is not for resale in any manner.

PUBLICATION ORDERING INFORMATION

LITERATURE FULFILLMENT:

Literature Distribution Center for ON Semiconductor
19521 E. 32nd Pkwy, Aurora, Colorado 80011 USA
Phone: 303-675-2175 or 800-344-3860 Toll Free USA/Canada
Fax: 303-675-2176 or 800-344-3867 Toll Free USA/Canada
Email: orderlit@onsemi.com

N. American Technical Support: 800-282-9855 Toll Free
USA/Canada
Europe, Middle East and Africa Technical Support:
Phone: 421 33 790 2910
Japan Customer Focus Center
Phone: 81-3-5817-1050

ON Semiconductor Website: www.onsemi.com
Order Literature: <http://www.onsemi.com/orderlit>
For additional information, please contact your local
Sales Representative