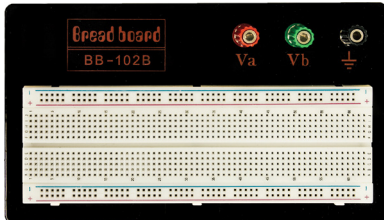


Solderless Breadboard

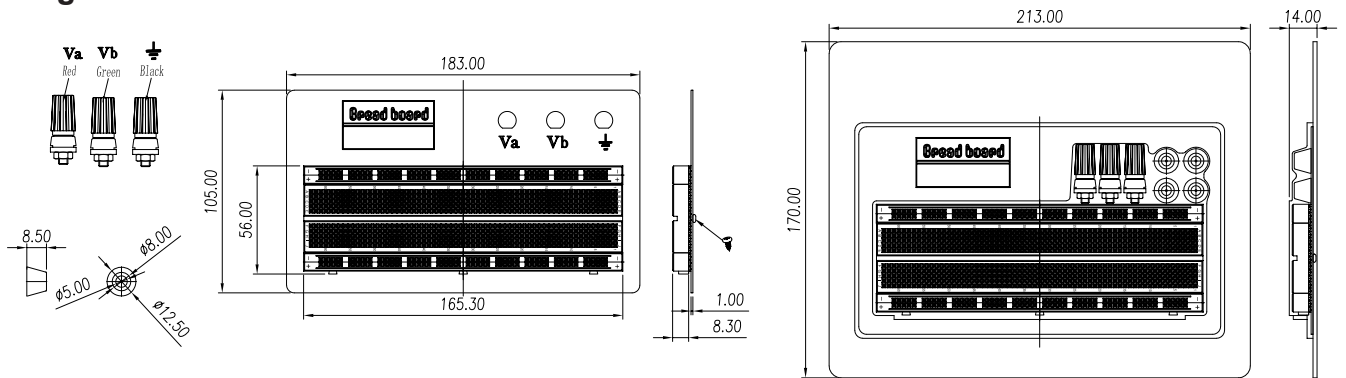


Specifications



- Housing Material : ABS Plastic
- Spring Clips : Copper, Ni plated
- Wire Range : Sol 29AWG to 20AWG
- Rated Voltage : 300V
- Rated Current : 3A to 5A
- 1 Terminal Strip : 630 Tie-point
- 2 Distribution Strip : 200 Tie-point
- 3 Binding posts
- Black Metal Plate : 183mm × 105mm × 1mm
- Pitch : 2.54mm
- Dimensions : 56mm × 165.3mm × 8.3mm

Diagram



Dimensions : Millimetres

Linear Dimension (Tolerance Standard GB/T 14486-2008)												≡	—	▱	//	⊥
Variable Range	to 6	Over 6 to 10	Over 10 to 18	Over 18 to 30	Over 30 to 50	Over 50 to 80	Over 80 to 120	Over 120 to 160	Over 160 to 200	Over 200 to 250	Over 250 to	all	to 5	Over 5 to 30	Over 30 to 120	Over 120 to
Tolerance	±0.1	±0.14	±0.19	±0.25	±0.32	±0.43	±0.57	±0.72	±0.88	±1.05	±1.25	0.5	0.025	0.06	0.12	0.4

Part Number Table

Description	Part Number
Solderless Breadboard	MCBB830K

Important Notice : This data sheet and its contents (the "Information") belong to the members of the Premier Farnell group of companies (the "Group") or are licensed to it. No licence is granted for the use of it other than for information purposes in connection with the products to which it relates. No licence of any intellectual property rights is granted. The Information is subject to change without notice and replaces all data sheets previously supplied. The Information supplied is believed to be accurate but the Group assumes no responsibility for its accuracy or completeness, any error in or omission from it or for any use made of it. Users of this data sheet should check for themselves the Information and the suitability of the products for their purpose and not make any assumptions based on information included or omitted. Liability for loss or damage resulting from any reliance on the Information or use of it (including liability resulting from negligence or where the Group was aware of the possibility of such loss or damage arising) is excluded. This will not operate to limit or restrict the Group's liability for death or personal injury resulting from its negligence. Multicomp is the registered trademark of the Group. © Premier Farnell Limited 2016.

