



## Ferrule; Sleeve for 1 mm<sup>2</sup> / AWG 18; insulated; electro-tin plated

Item No.: 216-203



Ferrule; Sleeve for 1 mm<sup>2</sup> / AWG 18; insulated; electro-tin plated

### Marking

RoHS ✓  
Compliant

### Business data

Supplier	WAGO
Item no.	216-203
GTIN / EAN	4017332277471
Content	1
Order amount	100
Customer item number	

### Notes

### Technical data

#### Miscellaneous

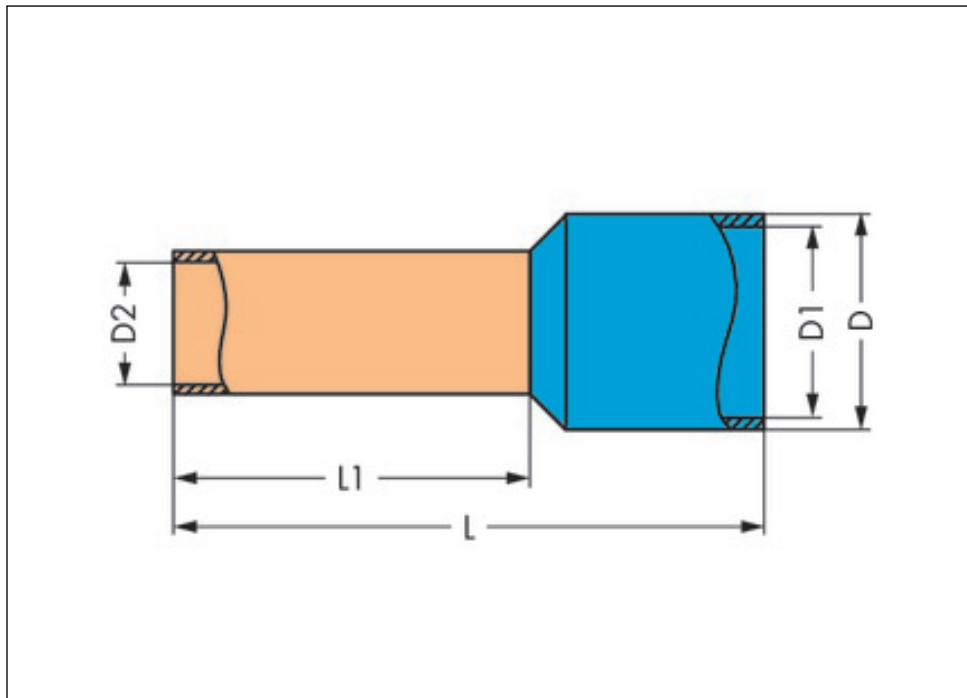
Color	red
Strip length	10 mm / 0.39 Inch
Fire load [MJ]	0.001 [MJ]
Weight [g]	0.107 [g]
Diameter [mm]	3.5 [mm]
Diameter 1 [mm]	3 [mm]

**Technical data**

<i>Diameter 2 [mm]</i>	<i>1.4 [mm]</i>
<i>Length [mm]</i>	<i>14 [mm]</i>
<i>Length 1 [mm]</i>	<i>8 [mm]</i>

**Images & drawings**





#### Address

WAGO Kontakttechnik GmbH & Co. KG

Hansastr. 27

32423 Minden

Telefon: 0571/887-0

Fax: 0571/887-169

<http://www.wago.com>

© WAGO Kontakttechnik GmbH & Co. KG

Technische Änderungen und Irrtümer vorbehalten.