



Is Now Part of



ON Semiconductor®

To learn more about ON Semiconductor, please visit our website at

www.onsemi.com

ON Semiconductor and the ON Semiconductor logo are trademarks of Semiconductor Components Industries, LLC dba ON Semiconductor or its subsidiaries in the United States and/or other countries. ON Semiconductor owns the rights to a number of patents, trademarks, copyrights, trade secrets, and other intellectual property. A listing of ON Semiconductor's product/patent coverage may be accessed at www.onsemi.com/site/pdf/Patent-Marking.pdf. ON Semiconductor reserves the right to make changes without further notice to any products herein. ON Semiconductor makes no warranty, representation or guarantee regarding the suitability of its products for any particular purpose, nor does ON Semiconductor assume any liability arising out of the application or use of any product or circuit, and specifically disclaims any and all liability, including without limitation special, consequential or incidental damages. Buyer is responsible for its products and applications using ON Semiconductor products, including compliance with all laws, regulations and safety requirements or standards, regardless of any support or applications information provided by ON Semiconductor. "Typical" parameters which may be provided in ON Semiconductor data sheets and/or specifications can and do vary in different applications and actual performance may vary over time. All operating parameters, including "Typicals" must be validated for each customer application by customer's technical experts. ON Semiconductor does not convey any license under its patent rights nor the rights of others. ON Semiconductor products are not designed, intended, or authorized for use as a critical component in life support systems or any FDA Class 3 medical devices or medical devices with a same or similar classification in a foreign jurisdiction or any devices intended for implantation in the human body. Should Buyer purchase or use ON Semiconductor products for any such unintended or unauthorized application, Buyer shall indemnify and hold ON Semiconductor and its officers, employees, subsidiaries, affiliates, and distributors harmless against all claims, costs, damages, and expenses, and reasonable attorney fees arising out of, directly or indirectly, any claim of personal injury or death associated with such unintended or unauthorized use, even if such claim alleges that ON Semiconductor was negligent regarding the design or manufacture of the part. ON Semiconductor is an Equal Opportunity/Affirmative Action Employer. This literature is subject to all applicable copyright laws and is not for resale in any manner.



November 2014



MDB10SV — 1.2 A, 1000 V, Micro-DIP, Single-Phase Bridge Rectifier

MDB10SV

1.2 A, 1000 V, Micro-DIP, Single-Phase Bridge Rectifier

Features

- Optimized V_F : 1.015 V Maximum at 1.2 A
- $I_{F(AV)} = 1.2$ A
- $I_{FSM} = 50$ A
- MDB10SS and MDB10S Socket Compatible
- Glass-Passivated Junctions
- Requires Only 35 mm² of Board Space
- Low Package Profile: 1.45 mm Typical, 1.60 mm Maximum
- RoHS Compliant
- Halogen Free
- Qualified with IR/convection Solder Reflow (J-STD-020) and Wave Soldering (JESD22-A111)

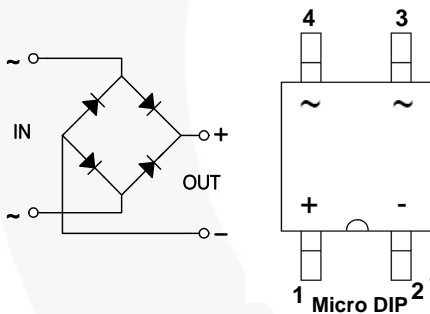
Description

With the ever-pressing need to improve power supply efficiency and reliability, the MDB10SV sets a new standard in small form-factor, efficient, robust, bridge rectifier performance.

The design offers improved efficiency by achieving a 1.2 A V_F of 1.015 V maximum at 25°C. This lower V_F results in cooler and more efficient power supply operation.

The design enhances reliability with a 50 A I_{FSM} rating to absorb high surge currents, improved I^2t ratings, and supporting a rated breakdown voltage of 1000 V.

Finally, the MDB10SV achieves all this in a small form-factor micro-DIP package, offering a maximum height of 1.6 mm, and requiring only 35 mm² of board space.



Ordering Information

| Part Number | Top Mark | Package | Packing Method |
|-------------|----------|-----------|----------------|
| MDB10SV | MDB10V | Micro DIP | Tape and Reel |

Absolute Maximum Ratings

Stresses exceeding the absolute maximum ratings may damage the device. The device may not function or be operable above the recommended operating conditions and stressing the parts to these levels is not recommended. In addition, extended exposure to stresses above the recommended operating conditions may affect device reliability. The absolute maximum ratings are stress ratings only. Values are at $T_A = 25^\circ\text{C}$ unless otherwise noted.

| Symbol | Parameter | Value | Unit |
|-------------|--|-------------|------------------|
| V_{RRM} | Maximum Repetitive Peak Reverse Voltage | 1000 | V |
| V_{RMS} | Maximum RMS Voltage | 700 | V |
| V_{DC} | Maximum DC Blocking Voltage | 1000 | V |
| $I_{F(AV)}$ | Average Rectified Forward Current ⁽¹⁾ | 1.2 | A |
| I_{FSM} | Peak Forward Surge Current ⁽²⁾ | 50 | A |
| I^2t | I^2t Rating for Fusing ($t < 8.3$ ms) | 10.4 | A ² S |
| T_J | Operating Junction Temperature Range | -55 to +150 | $^\circ\text{C}$ |
| T_{STG} | Storage Temperature Range | -55 to +150 | $^\circ\text{C}$ |

Notes:

- 8.3 ms single half-sine wave, R-load, $T_A = 25^\circ\text{C}$.
- 8.3 ms single half-sine wave, single pulse, $T_J = 25^\circ\text{C}$, compliant with MIL standard.

Thermal Characteristics⁽³⁾

| Symbol | Parameter | Conditions | Max. | Unit |
|-----------------|--|---|------|--------------------|
| $R_{\theta JA}$ | Thermal Resistance, Junction to Ambient | Multi-Die Measurement (Maximum Land Pattern: 12 x 12 mm) | 55 | $^\circ\text{C/W}$ |
| | | Multi-Die Measurement (Minimum Land Pattern: 0.95 x 1.65 mm) | 115 | |
| ψ_{JL} | Thermal Characterization Parameter, Junction to Lead | Single-Die Measurement (Maximum and Minimum Land Pattern) | 18 | $^\circ\text{C/W}$ |

Note:

- The thermal resistances ($R_{\theta JA}$ & ψ_{JL}) are characterized with the device mounted on the following FR4 printed circuit boards, as shown in Figure 1 and Figure 2. PCB size: 76.2 x 114.3 mm.

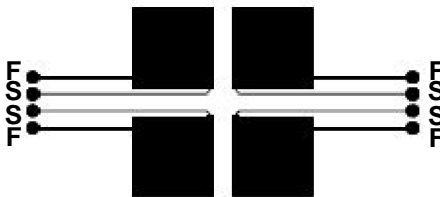


Figure 1. Maximum Pads of 2 oz Copper

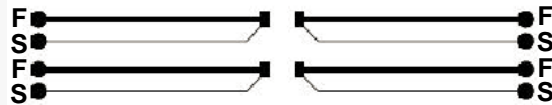


Figure 2. Minimum Pads of 2 oz Copper

Electrical Characteristics

Values are at $T_A = 25^\circ\text{C}$ unless otherwise specified.

| Symbol | Parameter | Conditions | Value | | Unit | |
|----------|-------------------------------|--|---------------------------|-------|------|---------------|
| | | | Typ. | Max. | | |
| V_F | Maximum Forward Voltage | $I_F = 0.3 \text{ A}$, 300 μs Pulse, 1% Duty Cycle, Per Diode | 0.850 | | V | |
| | | $I_F = 1.0 \text{ A}$, 300 μs Pulse, 1% Duty Cycle, Per Diode | 0.930 | | | |
| | | $I_F = 1.2 \text{ A}$, 300 μs Pulse, 1% Duty Cycle, Per Diode | 0.940 | 1.015 | | |
| I_R | Maximum Reverse Current | At V_{RWM} , Pulse Measurement, Per Diode | $T_A = 25^\circ\text{C}$ | 0.1 | 10.0 | μA |
| | | | $T_A = 125^\circ\text{C}$ | 95.0 | | |
| C_J | Typical Junction Capacitance | $V_R = 4 \text{ V}$, $f = 1 \text{ MHz}$ | 14 | | pF | |
| t_{rr} | Typical Reverse-Recovery Time | $I_F = 0.5 \text{ A}$, $I_{RM} = 1 \text{ A}$, $I_{R(REC)} = 0.25 \text{ A}$ | 1430 | | ns | |

Typical Performance Characteristics

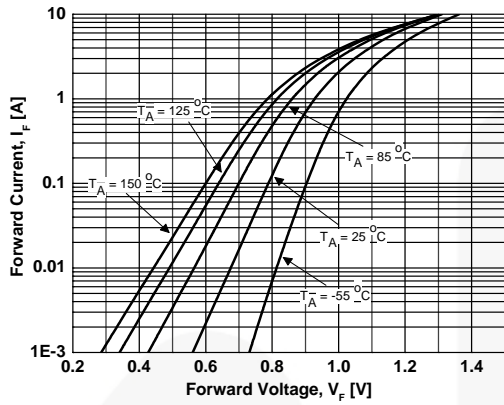


Figure 3. Typical Instantaneous Forward Voltage Per Leg

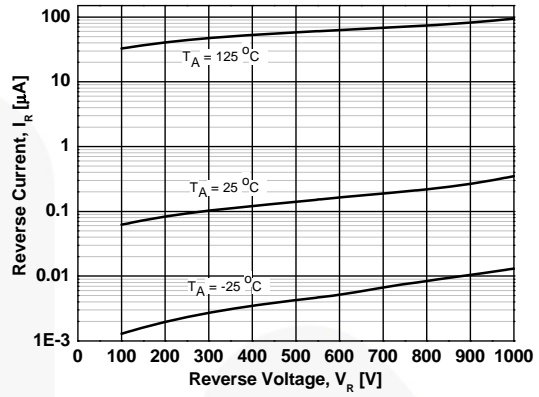


Figure 4. Typical Reverse-Voltage Current Characteristics

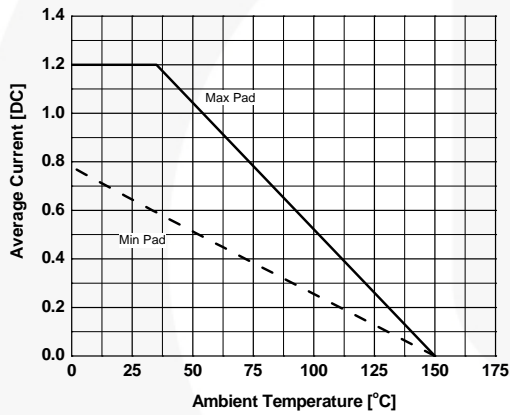


Figure 5. Forward Current Derating Curve

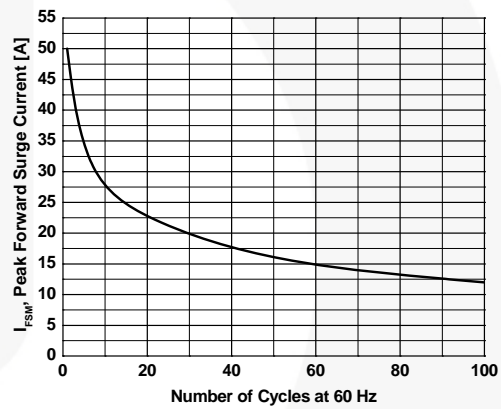


Figure 6. Surge Current Derating Curve

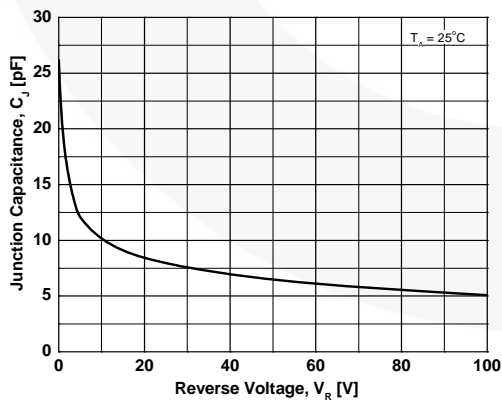
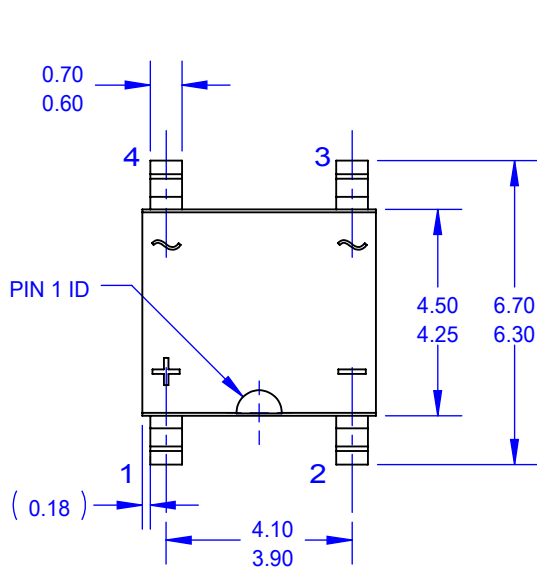
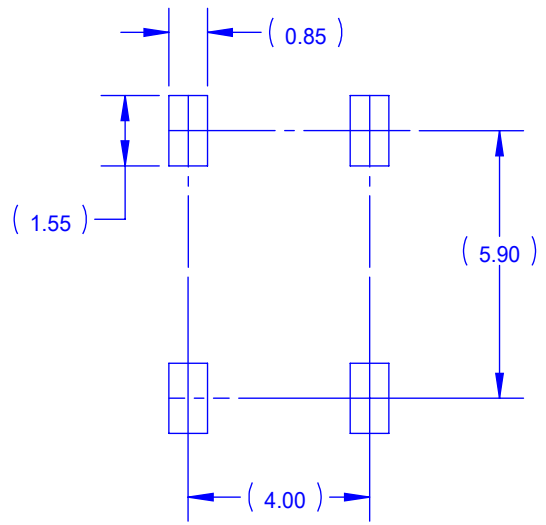


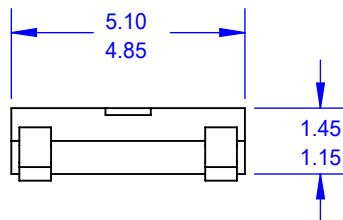
Figure 7. Typical Junction Capacitance



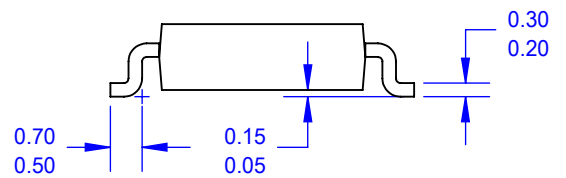
TOP VIEW



LAND PATTERN RECOMMENDATION



SIDE VIEW



END VIEW

NOTES:

- A. THIS PACKAGE DOES NOT CONFORM TO ANY REFERENCE STANDARD.
- B. ALL DIMENSIONS ARE IN MILLIMETERS.
- C. DIMENSIONS ARE EXCLUSIVE OF BURRS, MOLD FLASH AND TIE BAR PROTRUSIONS.
- G. DRAWING FILE NAME: MKT-TD104BREV1.

ON Semiconductor and  are trademarks of Semiconductor Components Industries, LLC dba ON Semiconductor or its subsidiaries in the United States and/or other countries. ON Semiconductor owns the rights to a number of patents, trademarks, copyrights, trade secrets, and other intellectual property. A listing of ON Semiconductor's product/patent coverage may be accessed at www.onsemi.com/site/pdf/Patent-Marking.pdf. ON Semiconductor reserves the right to make changes without further notice to any products herein. ON Semiconductor makes no warranty, representation or guarantee regarding the suitability of its products for any particular purpose, nor does ON Semiconductor assume any liability arising out of the application or use of any product or circuit, and specifically disclaims any and all liability, including without limitation special, consequential or incidental damages. Buyer is responsible for its products and applications using ON Semiconductor products, including compliance with all laws, regulations and safety requirements or standards, regardless of any support or applications information provided by ON Semiconductor. "Typical" parameters which may be provided in ON Semiconductor data sheets and/or specifications can and do vary in different applications and actual performance may vary over time. All operating parameters, including "Typicals" must be validated for each customer application by customer's technical experts. ON Semiconductor does not convey any license under its patent rights nor the rights of others. ON Semiconductor products are not designed, intended, or authorized for use as a critical component in life support systems or any FDA Class 3 medical devices or medical devices with a same or similar classification in a foreign jurisdiction or any devices intended for implantation in the human body. Should Buyer purchase or use ON Semiconductor products for any such unintended or unauthorized application, Buyer shall indemnify and hold ON Semiconductor and its officers, employees, subsidiaries, affiliates, and distributors harmless against all claims, costs, damages, and expenses, and reasonable attorney fees arising out of, directly or indirectly, any claim of personal injury or death associated with such unintended or unauthorized use, even if such claim alleges that ON Semiconductor was negligent regarding the design or manufacture of the part. ON Semiconductor is an Equal Opportunity/Affirmative Action Employer. This literature is subject to all applicable copyright laws and is not for resale in any manner.

PUBLICATION ORDERING INFORMATION

LITERATURE FULFILLMENT:

Literature Distribution Center for ON Semiconductor
19521 E. 32nd Pkwy, Aurora, Colorado 80011 USA
Phone: 303-675-2175 or 800-344-3860 Toll Free USA/Canada
Fax: 303-675-2176 or 800-344-3867 Toll Free USA/Canada
Email: orderlit@onsemi.com

N. American Technical Support: 800-282-9855 Toll Free
USA/Canada
Europe, Middle East and Africa Technical Support:
Phone: 421 33 790 2910
Japan Customer Focus Center
Phone: 81-3-5817-1050

ON Semiconductor Website: www.onsemi.com
Order Literature: <http://www.onsemi.com/orderlit>
For additional information, please contact your local
Sales Representative