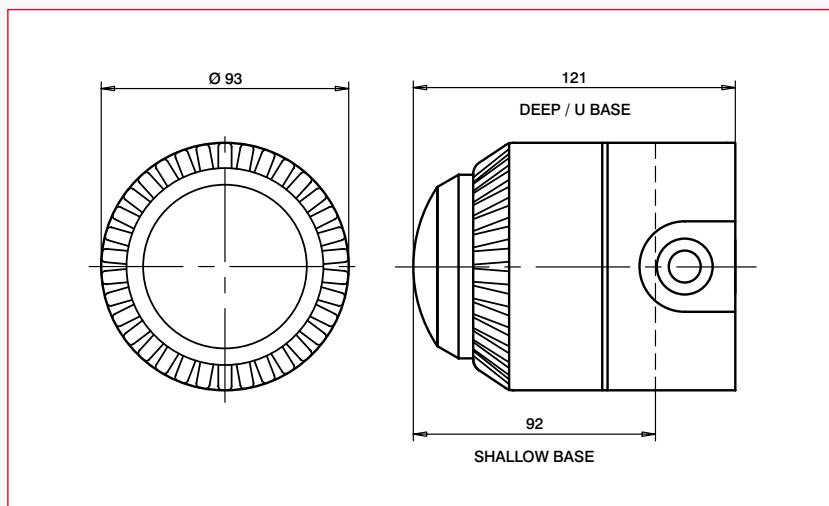


# ★ flashni sounder/beacon



- HIGH SOUND OUTPUT
- AUTOMATIC SOUNDER SYNCHRONISATION
- VOLUME CONTROL
- CHOICE OF LENS / SOUNDER COLOUR COMBINATIONS
- BASE COMPATIBLE WITH THE ROSHNI, CLARIFIRE & IB BEACON

Model	Flashni 12Vdc	Flashni 24Vdc
Operating Voltage Range	9 - 15Vdc	18 - 30Vdc
Current Consumption	110mA at 12Vdc	68mA at 24Vdc
Beacon	1W	
Flash Rate	60/min	
Operating Temperature	-10°C to +55°C	
Construction	Lens - Polycarbonate Base - ABS	
Ingress Protection	IP65	
Weight	Shallow base - 290g Deep or U base - 325g	
Dimensions	Shallow base - 93mm dia x 92mm deep Deep or U base - 93mm dia x 121mm deep	
Sound Output	101dB(A) at 12Vdc (tone 5)	101dB(A) at 24Vdc (tone 3)
Tones	12Vdc preset to tone 5 - 24Vdc preset to tone 3 - other tones on request	
Colours	Lens - Red, Amber, Blue, Green or Clear Body - Red or White	



## Further Information

See Tones datasheet 25-9068

See Bases datasheet 25-9069

## Variants

Version available with separate terminals for Beacon and Sounder

Reduced volume version available

Tone select switch



**Fulleon**  
technology