

PLEASE CHECK WWW.MOLEX.COM FOR LATEST PART INFORMATION

Part Number: [0446610001](#)
Status: **Active**
Overview: [Modular Jacks and Plugs](#)
Description: Modular Jack, Right Angle, Low Profile, 8/8

Documents:

3D Model	Product Specification TS-44560-003-001 (PDF)
Drawing (PDF)	Packaging Specification PK-44661-004-000 (PDF)
Product Specification PS-44560-003-001 (PDF)	RoHS Certificate of Compliance (PDF)

Agency Certification

CSA	LR19980
UL	E107635

General

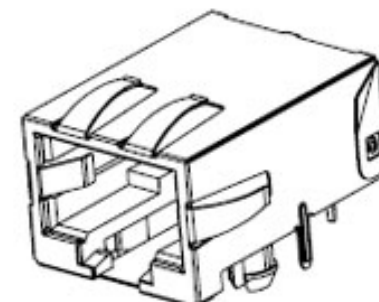
Product Family	Modular Jacks/Plugs
Series	44661
Comments	Enhanced panel grounding tabs
Component Type	PCB Jack
Magnetic	No
Overview	Modular Jacks and Plugs
Performance Category	5, 5e
Power over Ethernet (PoE)	N/A
Product Name	RJ45
UPC	756054373699

Physical

Color - Resin	Black
Durability (mating cycles max)	750
Flammability	94V-0
Inverted / Top Latch	No
Jack Height	11.23mm
Lightpipes/LEDs	None
Material - Metal	Brass, Phosphor Bronze
Material - Plating Mating	Gold
Material - Plating Termination	Tin
Material - Resin	High Temperature Thermoplastic
Net Weight	3.519/g
Orientation	Right Angle (Side Entry)
PCB Retention	Yes
PCB Thickness - Recommended	1.60mm
Packaging Type	Tray
Pitch - Mating Interface	1.02mm
Pitch - Termination Interface	1.27mm
Plating min - Mating	1.270µm
Plating min - Termination	2.540µm
Ports	1
Positions / Loaded Contacts	8/8
Surface Mount Compatible (SMC)	Yes
Temperature Range - Operating	-40°C to +85°C
Termination Interface: Style	Through Hole
Wire/Cable Type	N/A

Electrical

Current - Maximum per Contact	1.5A
Grounding to Panel	None
Shielded	Yes



Series image - Reference only

EU ELV

Not Relevant

EU RoHS

Compliant

REACH SVHC

Not Contained Per
-ED/01/2017 (12
January 2017)

Halogen-Free

Status

Not Low-Halogen

Need more information on product environmental compliance?

Email productcompliance@molex.com
Please visit the [Contact Us](#) section for any non-product compliance questions.

China ROHS	Green Image
ELV	Not Relevant
RoHS Phthalates	Not Contained

Search Parts in this Series

[44661 Series](#)

Mates With

FCC 68 Plugs

Voltage - Maximum 150V

Solder Process Data

Duration at Max. Process Temperature (seconds) 005
Lead-free Process Capability WAVE
Max. Cycles at Max. Process Temperature 001
Process Temperature max. C 260

Material Info

Reference - Drawing Numbers

Packaging Specification PK-44661-004-000
Product Specification PS-44560-003-001, TS-44560-003-001
Sales Drawing SD-44661-001

This document was generated on 04/21/2017

PLEASE CHECK WWW.MOLEX.COM FOR LATEST PART INFORMATION