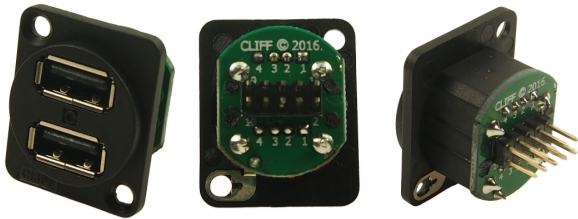




# DUAL USB SOCKETS WITH EARTH IN XLR SHELL

Dual USB2 & USB3.0 compliant sockets are mounted in a single space-saving universal XLR receptacle, chosen to allow industry standard panel cutouts and maximum panel mounting density. Output connection header pins are configured to facilitate either direct soldering to PCBs or connection by header cable. We are happy to provide customers with standard or custom designed header cables to meet individual system requirements. Front or back mounted versions are available. This is part of Cliff's programmed series of USB and other data connectors, primarily in XLR and other industry standard shells. Enquire to Sales for customised USB connector variants to suit end users applications.

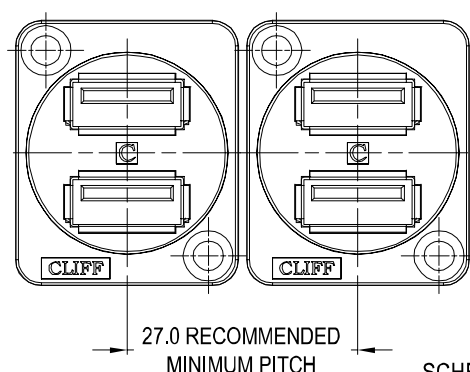
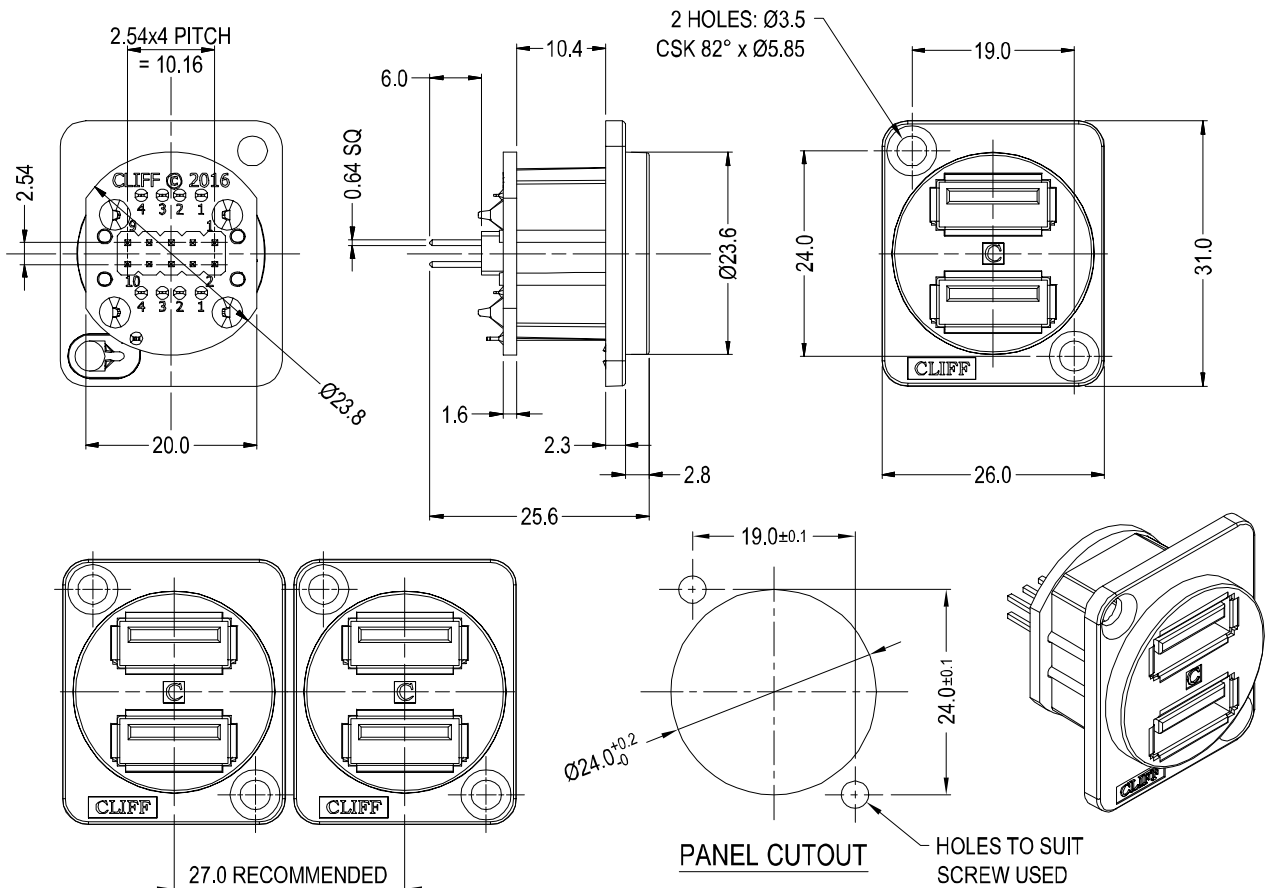
## DUAL USB2 WITH EARTH



PART No. **CP30100** - WITH CSK HOLES

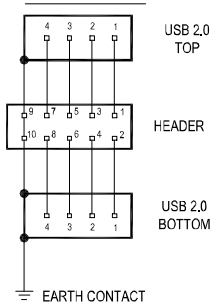


PART No. **CP30100X** - WITH PLAIN HOLES



27.0 RECOMMENDED  
MINIMUM PITCH

### SCHEMATIC



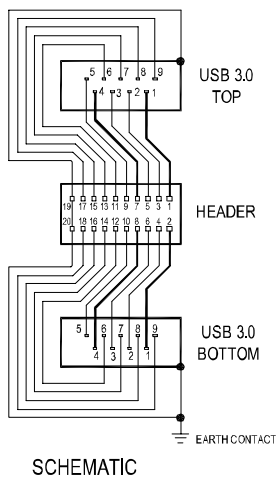
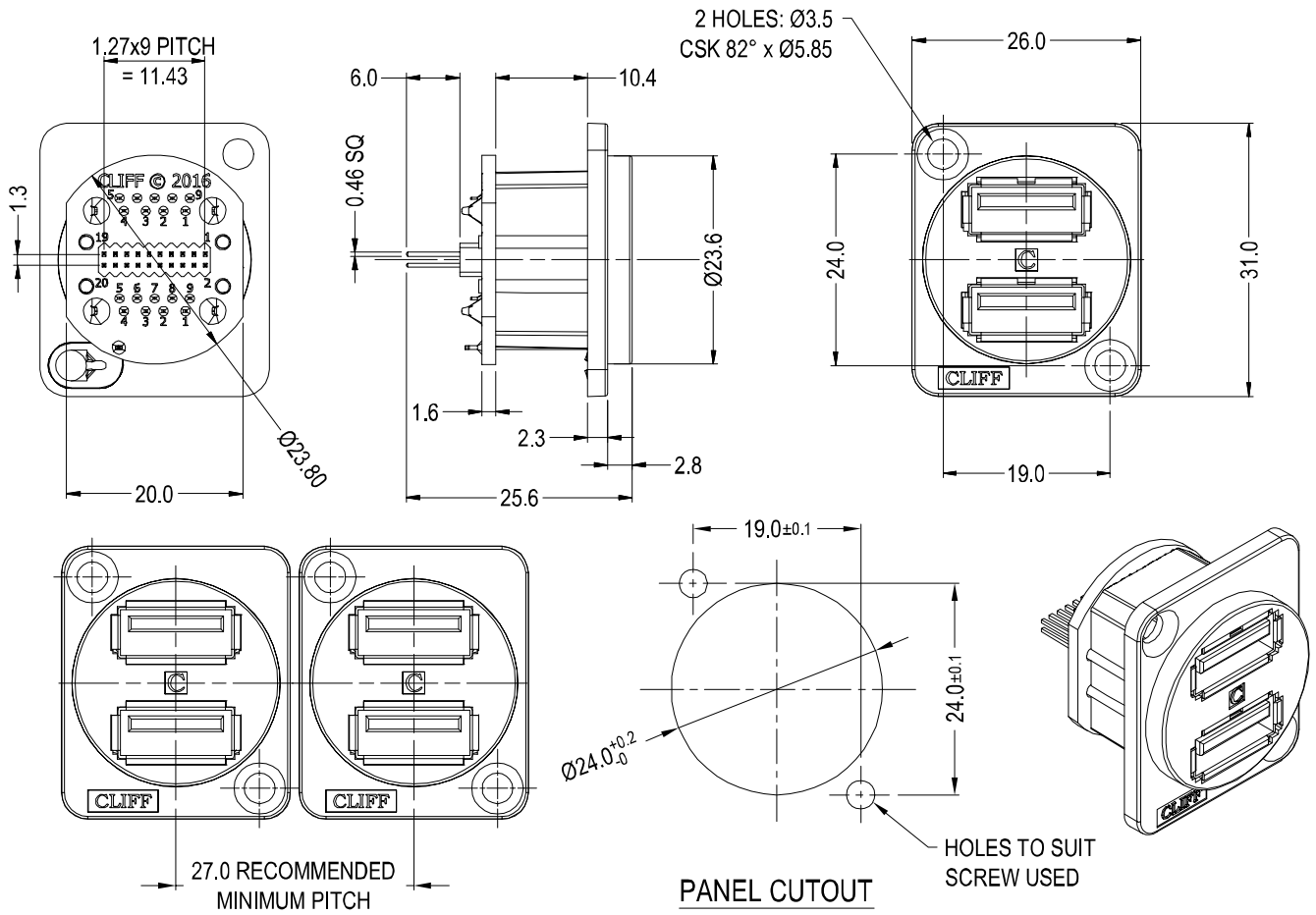
	Pin No.		Header Pin
Top USB	1	Vcc	1
	2	Data -	3
	3	Data +	5
	4	Ground	7
		USB Body	9
Bottom USB	1	Vcc	2
	2	Data -	4
	3	Data +	6
	4	Ground	8
		USB Body	10

# DUAL USB3.0 WITH EARTH



PART No. **CP30105** - WITH CSK HOLES

PART No. **CP30105X** - WITH PLAIN HOLES



	Pin No.		Header Pin
Top USB	1	VBUS	1
	2	D-	3
	3	D+	5
	4	GND	7
	5	StdA_SSRX-	9
	6	StdA_SSRX+	11
	7	GND_DRAIN	13
	8	StdA_SSTX-	15
	9	StdA_SSTX+	17
	USB Body + Panel Earth		
Bottom USB	1	VBUS	2
	2	D-	4
	3	D+	6
	4	GND	8
	5	StdA_SSRX-	10
	6	StdA_SSRX+	12
	7	GND_DRAIN	14
	8	StdA_SSTX-	16
	9	StdA_SSTX+	18
	USB Body + Panel Earth		

For further information, contact [sales@cliffuk.co.uk](mailto:sales@cliffuk.co.uk)

**Cliff Electronic Components Limited,**  
 76 Holmethorpe Avenue, Holmethorpe Ind. Estate,  
 Redhill, Surrey RH1 2PF U.K.  
 Tel: +44 (0)1737 771375 Fax: +44 (0)1737 766012

