
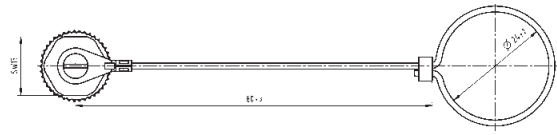

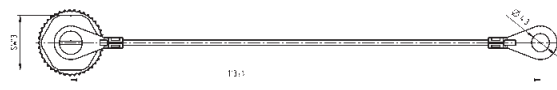

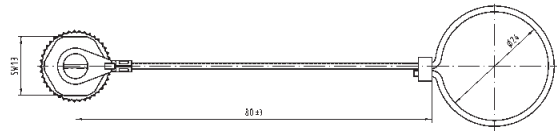

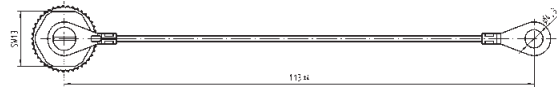
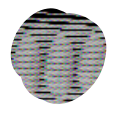
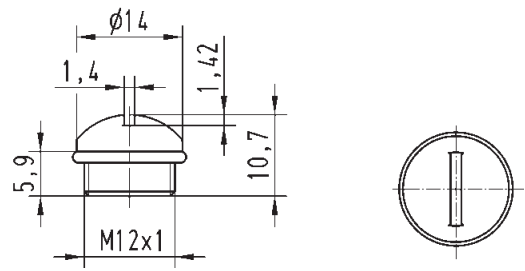
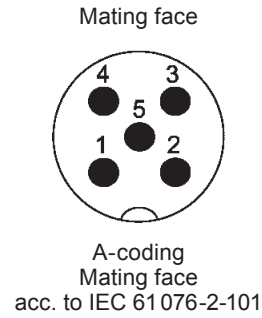
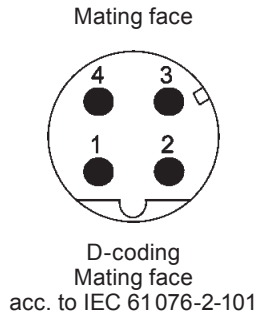


Identification	Part number	Drawing	Dimensions in mm
<p>Cap metal M12 for IP65 / 67 M12 metal cap for male side with cord</p> 	<p>21 01 000 0033</p>		
<p>Cap metal M12 for IP65 / 67 M12 metal cap for male side with cable clip</p> 	<p>21 01 000 0038</p>		
<p>Cap metal M12 for IP65 / 67 M12 metal cap for female side with cord</p> 	<p>21 01 000 0030</p>		
<p>Cap metal M12 for IP65 / 67 M12 metal cap for female side with cable clip</p> 	<p>21 01 000 0031</p>		
<p>Cap M12 for IP65 / 67 Seals material Viton Plastic cap for female</p> 	<p>21 01 000 0003</p>		

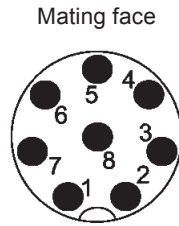


Applications / Advantages

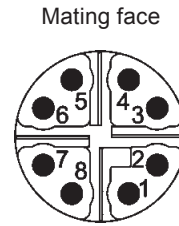
- M12 PushPull for a fast and vibration-free connection
- Simple assembly without tools
- You can hear it click into place
- Suitable for signal and data transmission

Identification	Part number	Drawing	Dimensions in mm
<p>M12 PushPull Slim design</p> <p>Male straight version 4 poles, D-coding, IP54 Cable diameter: 5.7 - 8.8 mm</p>	21 03 881 1430		
<p>M12 PushPull Slim design</p> <p>Male straight version 5 poles, A-coding, IP54 Cable diameter: 5.7 - 8.8 mm</p>	21 03 821 1530		

M12 PushPull Connector



A-coding
Mating face
acc. to IEC 61076-2-101



X-coding
Mating face
acc. to IEC 61076-2-119



Circular Connectors

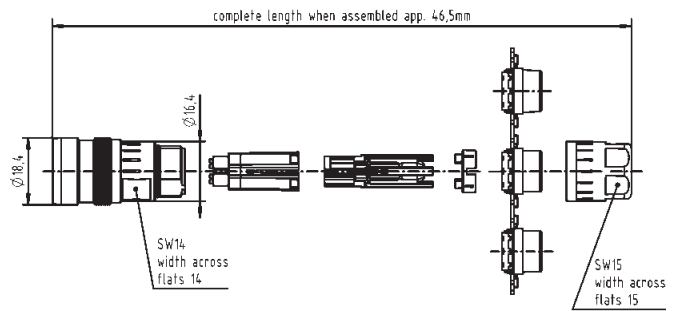
Identification Part number Drawing Dimensions in mm

M12 PushPull Slim design



Male
straight version
8 poles, A-coding, IP54
Cable diameter: 5.7 - 8.8 mm

21 03 821 1830



M12 PushPull Slim design

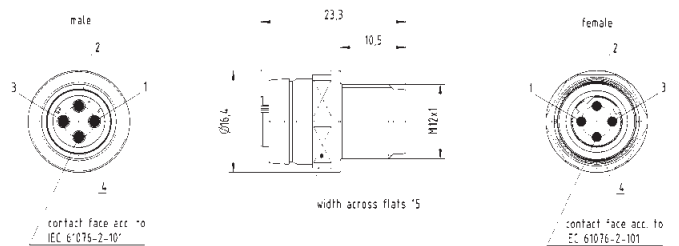


Male
straight version
8 poles, X-coding, IP54
Cable diameter: 5.7 - 8.8 mm

21 03 881 1830

M12 PushPull adapter

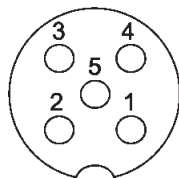
21 03 381 2403



The adapter can be used to bring a PushPull feature on a standard receptacle housing without PushPull feature.



Mating face



A-coding
Mating face
acc. to IEC 61076-2-101



Identification

Part number

Drawing

Dimensions in mm

M12 PCB adapter,
shielded



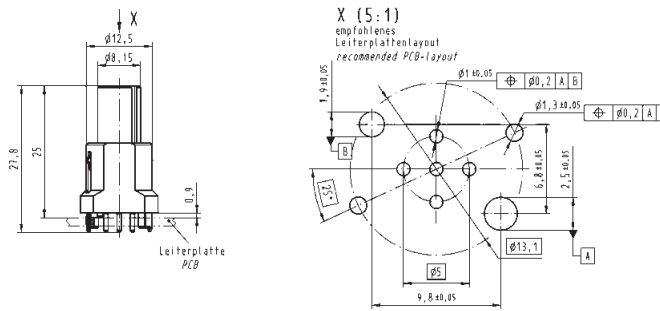
Packaging: 60 pieces in a tray
Order housing
separately

Female
5 poles, A-coding

8 poles, A-coding

21 03 321 2518*

21 03 321 2818*

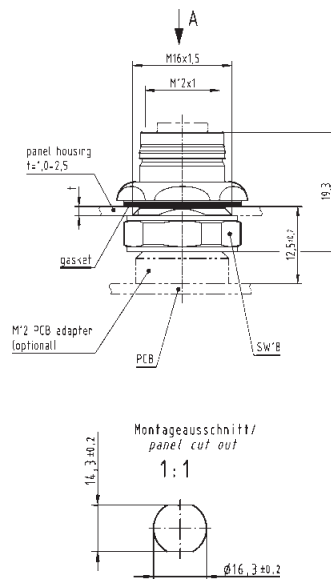


Housing
for PushPull locking



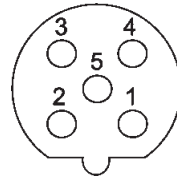
for front mounting

21 03 301 2003





Mating face



B-coding
Mating face
acc. to IEC 61076-2-101



Circular Connectors

Identification	Part number	Drawing	Dimensions in mm
----------------	-------------	---------	------------------

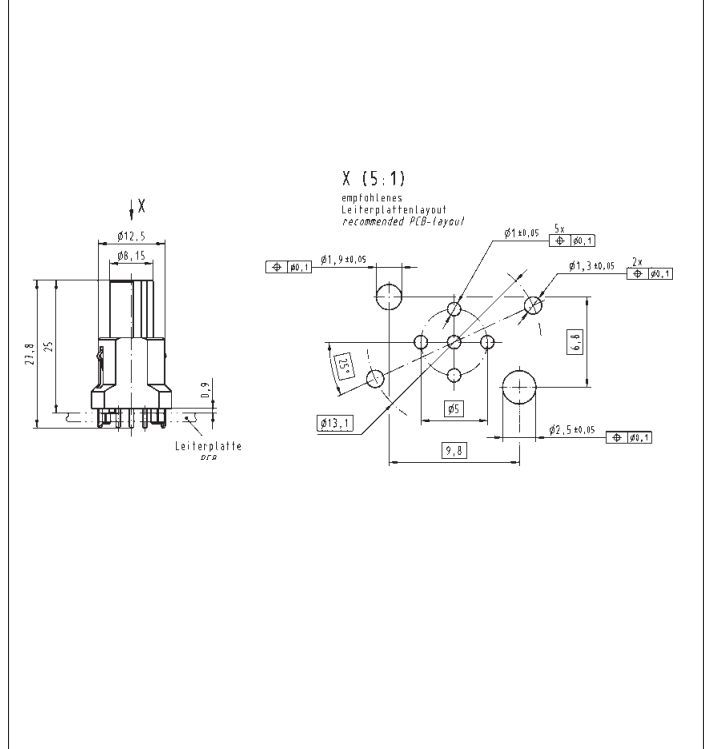
M12 PCB adapter, shielded



**Packaging: 60 pieces in a tray
Order housing separately**

Female
5 poles, B-coding

21 03 341 2518*

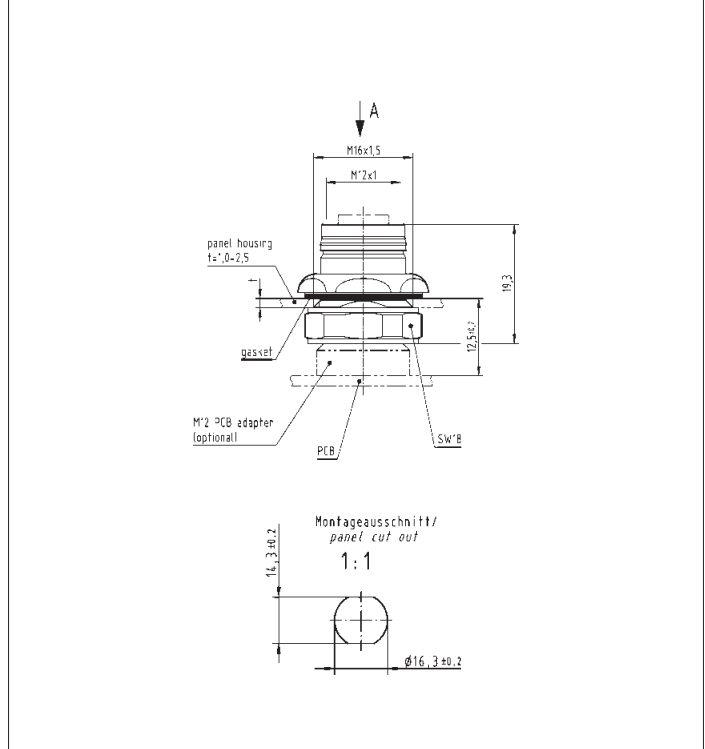


Housing for PushPull locking



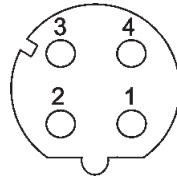
for front mounting

21 03 301 2003





Mating face



D-coding
Mating face
acc. to IEC 61076-2-101



Identification

Part number

Drawing

Dimensions in mm

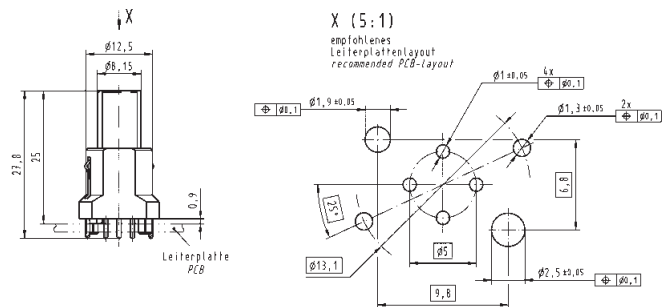
M12 PCB adapter, shielded



Packaging: 60 pieces in a tray
Order housing separately

Female
4 poles, D-coding

21 03 381 2418*

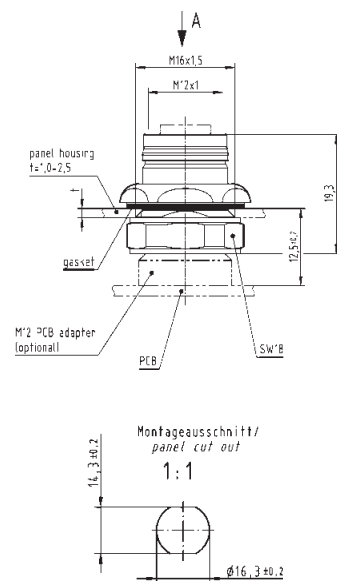


Housing for PushPull locking



for front mounting

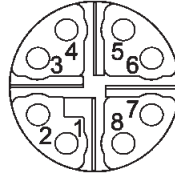
21 03 301 2003



M12 PushPull PCB connector



Mating face



X-coding
Mating face
acc. to IEC 61076-2-101



Circular Connectors

Identification Part number Drawing Dimensions in mm

har-speed M12 PCB adapter



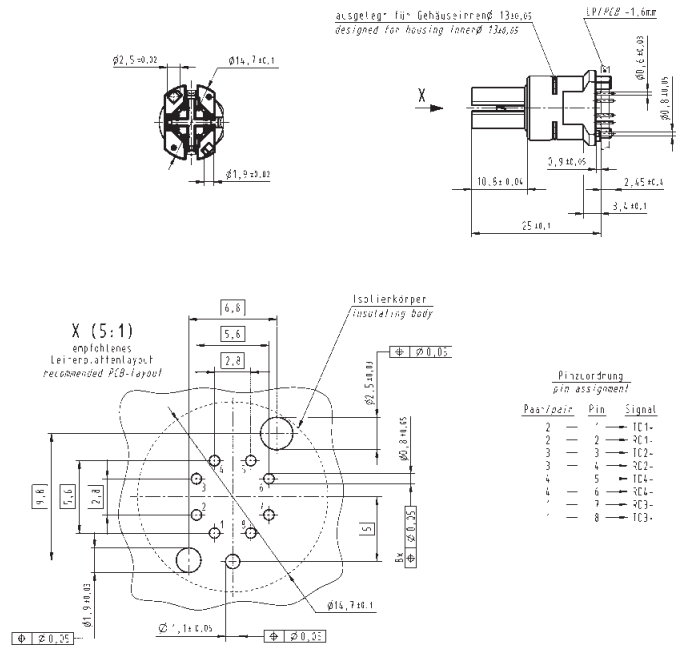
Packaging: 60 pieces in a tray
Order housing separately

Female
8 poles, X-coding
Cat. 6A

Female
8 poles, X-coding
Cat. 5

21 03 381 2806

21 03 381 2807

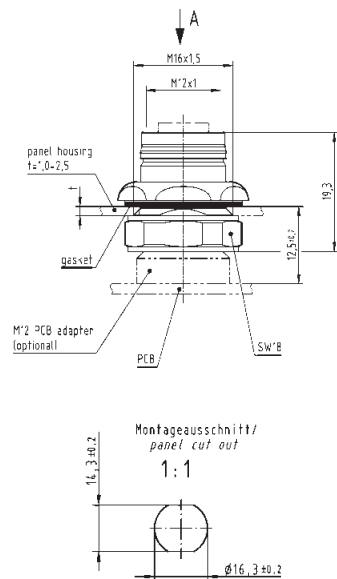


Housing for PushPull locking



for front mounting

21 03 301 2003



Identification	Part number	Drawing																																	
Crimping tool for M12 PushPull	09 99 000 0501																																		
Accessories M12 PushPull Locator for D-Sub contacts for contact 21 01 100 9020 for <i>har</i> -speed contacts	09 99 000 0531 61 03 600 0023 09 99 000 0525	 <table border="1"> <caption>D-Sub contacts</caption> <thead> <tr> <th>Part number</th> <th>AWG</th> <th>Tool settings</th> </tr> </thead> <tbody> <tr> <td rowspan="3">09 67 000 3x76</td> <td>18</td> <td>6</td> </tr> <tr> <td>20</td> <td>6</td> </tr> <tr> <td>22</td> <td>5</td> </tr> <tr> <td>09 67 000 8x76</td> <td>20, 22, 24</td> <td>6</td> </tr> <tr> <td>09 67 000 5x76</td> <td>22, 24, 26</td> <td>6</td> </tr> </tbody> </table> <table border="1"> <caption><i>har</i>-speed contacts</caption> <thead> <tr> <th>Part number</th> <th>AWG</th> <th>Tool settings</th> </tr> </thead> <tbody> <tr> <td rowspan="3">21 01 100 9014</td> <td>28</td> <td>3</td> </tr> <tr> <td>26</td> <td>4</td> </tr> <tr> <td>24</td> <td>5</td> </tr> <tr> <td rowspan="3">21 01 100 9019</td> <td>26</td> <td>4</td> </tr> <tr> <td>24</td> <td>5</td> </tr> <tr> <td>23</td> <td>5</td> </tr> </tbody> </table>	Part number	AWG	Tool settings	09 67 000 3x76	18	6	20	6	22	5	09 67 000 8x76	20, 22, 24	6	09 67 000 5x76	22, 24, 26	6	Part number	AWG	Tool settings	21 01 100 9014	28	3	26	4	24	5	21 01 100 9019	26	4	24	5	23	5
Part number	AWG	Tool settings																																	
09 67 000 3x76	18	6																																	
	20	6																																	
	22	5																																	
09 67 000 8x76	20, 22, 24	6																																	
09 67 000 5x76	22, 24, 26	6																																	
Part number	AWG	Tool settings																																	
21 01 100 9014	28	3																																	
	26	4																																	
	24	5																																	
21 01 100 9019	26	4																																	
	24	5																																	
	23	5																																	
D-Sub single contacts (500 mating cycles) turned male contacts AWG 22 - 18 / 0.33 - 0.82 mm ² AWG 24 - 20 / 0.25 - 0.52 mm ² AWG 26 - 22 / 0.13 - 0.33 mm ² AWG 28 - 24 / 0.09 - 0.25 mm ² turned male contact for 8 pole connector, A-coding, AWG 26 - 22 Single contacts (500 mating cycles) <i>har</i> -speed M12 contacts AWG 28-24 / 0.08-0.22 mm ² <i>har</i> -speed M12 contacts AWG 26-23 / 0.13-0.25 mm ²	09 67 000 3576 09 67 000 8576 09 67 000 5576 09 67 000 7576 21 01 100 9020 21 01 100 9014 21 01 100 9019	 <table border="1"> <thead> <tr> <th></th> <th>a</th> </tr> </thead> <tbody> <tr> <td>AWG 22 - 18</td> <td>1.34</td> </tr> <tr> <td>AWG 24 - 20</td> <td>1.13</td> </tr> <tr> <td>AWG 26 - 22</td> <td>0.88</td> </tr> </tbody> </table>		a	AWG 22 - 18	1.34	AWG 24 - 20	1.13	AWG 26 - 22	0.88																									
	a																																		
AWG 22 - 18	1.34																																		
AWG 24 - 20	1.13																																		
AWG 26 - 22	0.88																																		

Identification

Part number


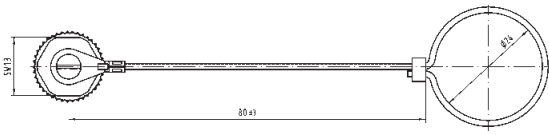

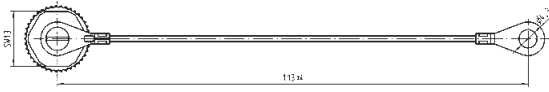
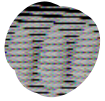
Drawing

M12
dynamometric screwdriver
Tightening torque 0.6 Nm

for M12 Slim design SW 15

09 99 000 0646



Identification	Part number	Drawing	Dimensions in mm
<p>Cap metal M12 for IP65 / IP67 M12 metal cap for female side with cord</p> 	<p>21 01 000 0030</p>		
<p>Cap metal M12 for IP65 / IP67 M12 metal cap for female side with cable clip</p> 	<p>21 01 000 0031</p>		
<p>Cap M12 for IP65 / IP67 Seals material Viton Plastic cap for female</p> 	<p>21 01 000 0003</p>	