

N° 1116-DISTI42-C4048408

Dear Customer,

With this INFINEON Technologies Information Note we would like to inform you about the following

Correction of Package Outline Dimension (POD) in Product Datasheet- Revised

Infineon Technologies AG
Postal Address Headquarters: Am Campeon 1-12, D-85579 Neubiberg, Phone +49 (0)89 234-0
Chairman of the Supervisory Board: Wolfgang Mayrhuber
Management Board: Dr. Reinhard Ploss (CEO), Dominik Asam, Dr. Helmut Gassel, Jochen Hanebeck
Registered Office: Neubiberg Commercial Register
Amtsgericht München HRB 126492

Correction of Package Outline Dimension (POD) in Product Datasheet- Revised

► Products affected:

Sales Name	SP N°	OPN	Package
IRFI1010NPBF	SP001570872	IRFI1010NPBF	FULLPAK220
IRFI3205PBF	SP001570864	IRFI3205PBF	FULLPAK220
IRFI4227PBF	SP001564096	IRFI4227PBF	FULLPAK220
IRFI4321PBF	SP001556676	IRFI4321PBF	FULLPAK220
IRFI4410ZPBF	SP001566742	IRFI4410ZPBF	FULLPAK220
IRFIZ44NPBF	SP001572634	IRFIZ44NPBF	FULLPAK220
IRLI3705NPBF	SP001576840	IRLI3705NPBF	FULLPAK220
IRLIB9343PBF	SP001558256	IRLIB9343PBF	FULLPAK220
IRLIZ44NPBF	SP001558208	IRLIZ44NPBF	FULLPAK220
IRFI7536GPBF	SP001566188	IRFI7536GPBF	FULLPAK220

► Detailed Change Information:

Subject: Correction of Package Outline Dimension (POD) drawing in Product Datasheet to reflect the latest specification.

Reason: Correction of outdated information.

Description: Correction of Package Outline Dimension (POD) in Product Datasheet- Revised

For revisions see highlights in dimensions table:

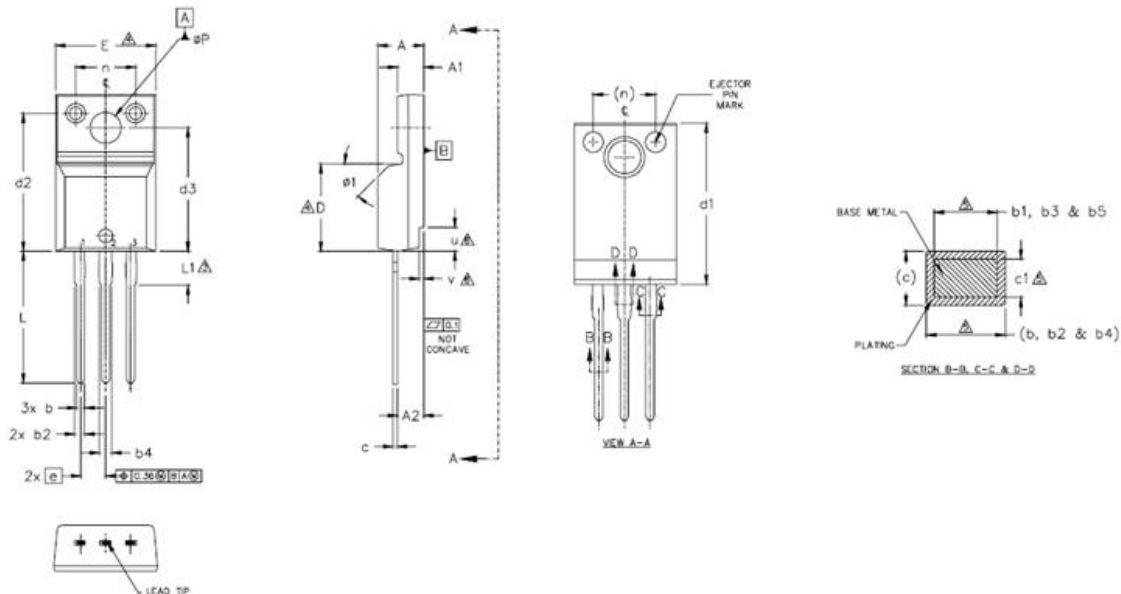
As the result of this change

	OLD	NEW
Datasheet	Outdated	Corrected

N° 1116-DISTI42-C4048408

Corrected POD drawing:

Dimensions are shown in millimeters (inches)



SYMBOL	DIMENSIONS				NOTES
	MILLIMETERS		INCHES		
	MIN.	MAX.	MIN.	MAX.	
A	4.57	4.83	.180	.190	
A1	2.57	2.82	.101	.111	
A2	2.51	2.92	.099	.115	
b	0.61	0.94	.024	.037	
b1	0.61	0.89	.024	.035	5
b2	0.76	1.27	.030	.050	
b3	0.76	1.22	.030	.048	5
b4	1.02	1.52	.040	.060	
b5	1.02	1.47	.040	.058	5
c	0.33	0.63	.013	.025	
c1	0.33	0.58	.013	.023	5
D	8.66	9.80	.341	.386	4
d1	15.80	16.13	.622	.635	
d2	13.97	14.22	.550	.560	
d3	12.29	12.93	.484	.509	
E	9.63	10.74	.379	.423	4
e	2.54 BSC		.100 BSC		
L	13.21	13.72	.520	.540	
L1	3.10	3.68	.122	.145	3
n	6.05	6.60	.238	.260	
phi P	3.05	3.45	.120	.136	
u	2.39	2.49	.094	.098	6
v	0.41	0.51	.016	.020	6
phi 1	-	45°	-	45°	

NOTES:

- 1.0 DIMENSIONING AND TOLERANCING AS PER ASME Y14.5 M- 1994.
- 2.0 DIMENSIONS ARE SHOWN IN MILLIMETERS [INCHES].
- 3.0 LEAD DIMENSION AND FINISH UNCONTROLLED IN L1.
- 4.0 DIMENSION D & E DO NOT INCLUDE MOLD FLASH. MOLD FLASH SHALL NOT EXCEED .005" (0.127) PER SIDE. THESE DIMENSIONS ARE MEASURED AT THE OUTER MOST EXTREMES OF THE PLASTIC BODY.
- 5.0 DIMENSION b1, b3, b5 & c1 APPLY TO BASE METAL ONLY.
- 6.0 STEP OPTIONAL ON PLASTIC BODY DEFINED BY DIMENSIONS u & v.
- 7.0 CONTROLLING DIMENSION : INCHES.

LEAD ASSIGNMENTS

HEXFET

- 1.- GATE
- 2.- DRAIN
- 3.- SOURCE

IGBTs, CoPACK

- 1.- GATE
- 2.- COLLECTOR
- 3.- EMITTER

► Product Identification:

There will be no change in the physical appearance of the product. This is only a Product Datasheet specification correction.

► Impact of Change:

No changes to form, fit or function.

N° 1116-DISTI42-C4048408

► **Attachments:** 1116-DISTI42-C4048408-AffectedParts.xlsx

► **Intended start of delivery:** 5-21-2017

If you have any questions, please do not hesitate to contact your local Sales office.