

## ■ Features

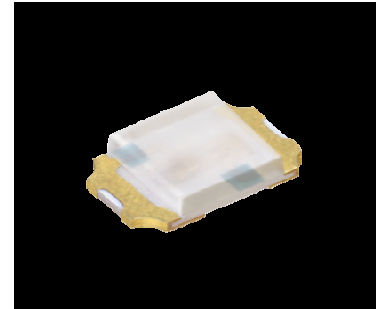
- Ultra compact, thin size 1.0×0.6mm
- Original device technology enables high brightness and high reliability
- Lead Free/RoHS Compliant.

## ■ Size

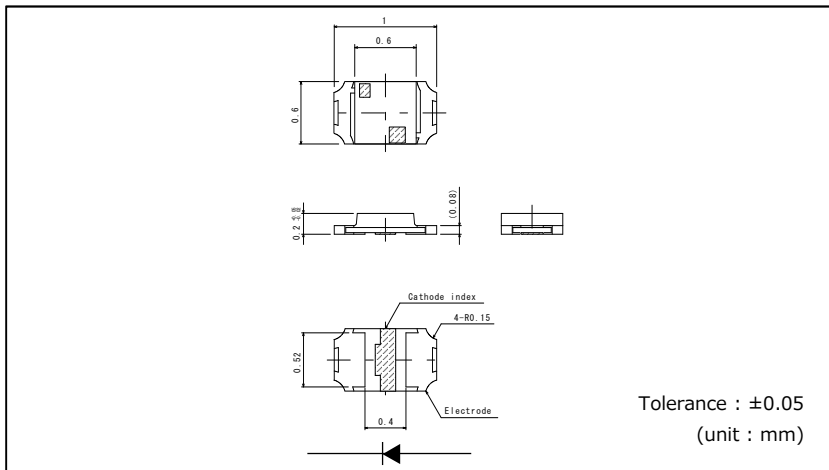
1006 (0402)  
1.0 × 0.6mm (t=0.2mm)



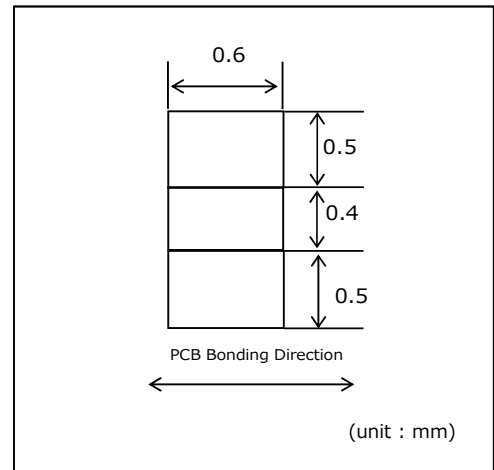
## ■ Outline



## ■ Dimensions



## ■ Recommended Solder Pattern



## ■ Specifications

| Part No.       | Chip Structure | Emitting color  | Absolute Maximum Ratings (Ta=25°C)          |   |   |  |  | Electrical and Optical Characteristics (Ta=25°C) |                                |                |                                |                |                                    |              |                    |                                   |      |      |                |
|----------------|----------------|-----------------|---|---|---|--|--|--|--------------------------------|----------------|--------------------------------|----------------|------------------------------------|--------------|--------------------|-----------------------------------|------|------|----------------|
|                |                |                 | Power<br>Dissipation<br>P <sub>D</sub> (mW) | Forward<br>Current<br>I <sub>F</sub> (mA) | Peak Forward<br>Current<br>I <sub>FP</sub> (mA) | Reverse<br>Voltage<br>V <sub>R</sub> (V) | Operating Temp.<br>T <sub>opr</sub> (°C) | Storage Temp.<br>T <sub>stg</sub> (°C)           | Forward Voltage V <sub>F</sub> |                | Reverse Current I <sub>R</sub> |                | Dominant Wavelength λ <sub>D</sub> |              |                    | Luminous Intensity I <sub>V</sub> |      |      |                |
|                |                |                 |   |   |   |  |  |  | Typ.                           | I <sub>F</sub> | Max.                           | V <sub>R</sub> | Min. <sup>*2</sup>                 | Typ.         | Max. <sup>*2</sup> | I <sub>F</sub>                    | Min. | Typ. | I <sub>F</sub> |
| SML-P12VT8 (R) | AlGaInP        | Red             | 50  | 20  | 100 <sup>*1</sup>                               | 5  | -40~+85                                  | -40~+100   | 2.0                            | 20             | 10                             | 5              | 625                                | 630          | 635                | 20                                | 25   | 60   | 20             |
| SML-P12UT (R)  |                |                 |   |   |   |  |  |  |                                |                |                                |                | 615                                | 620          | 625                |                                   | 40   | 85   |                |
| SML-P12U2T (R) |                |                 |   |   |   |  |  |  |                                |                |                                |                | 610                                | 615          | 620                |                                   | 25   | 70   |                |
| SML-P12DT (R)  |                |                 |   |   |   |  |  |  |                                |                |                                |                | 602                                | 605          | 608                |                                   | 63   | 100  |                |
| SML-P12Y3T (R) |                |                 |   |   |   |  |  |  |                                |                |                                |                | 593                                | 596          | 599                |                                   | 40   | 90   |                |
| SML-P12YT (R)  |                |                 |   |   |   |  |  |  |                                |                |                                |                | 587                                | 590          | 593                |                                   | 40   | 100  |                |
| SML-P12WT (R)  |                | Yellow          | 52  | 20  | 100 <sup>*1</sup>                               | 5  | -40~+85                                  | -40~+100   | 2.1                            | 20             | 10                             | 5              | 582                                | 585          | 588                | 20                                | 25   | 70   | 20             |
| SML-P12Y2T (R) |                |                 |   |   |   |  |  |  |                                |                |                                |                | 577                                | 580          | 583                |                                   | 16   | 50   |                |
| SML-P12M2T (R) |                |                 |   |   |   |  |  |  |                                |                |                                |                | 573                                | 576          | 579                |                                   | 10   | 25   |                |
| SML-P12MT (R)  |                | Yellowish green | 54  | 20  | 100 <sup>*1</sup>                               | 5  | -40~+85                                  | -40~+100   | 2.2                            | 20             | 10                             | 5              | 569                                | 572          | 575                | 20                                | 10   | 25   | 20             |
| SML-P13FT (R)  |                |                 |   |   |   |  |  |  |                                |                |                                |                | 563                                | 566          | 569                |                                   | 6.3  | 18.0 |                |
| SML-P13PT (R)  |                |                 |   |   |   |  |  |  |                                |                |                                |                | 557                                | 560          | 563                |                                   | 4.0  | 10.0 |                |
| SMLP13EC8T     |                | InGaN           | Green                                       | 34  | 10  | 50 <sup>*1</sup>                         | 5  | -40~+85  | -40~+100                       | 3.0            | 5                              | 100            | 5                                  | 520          | 527                | 535                               | 5    | 56   | 110            |
| SMLP13BC8T     | 465            |                 |   |   |   |  |  |  |                                |                |                                |                |                                    | 470          | 475                | 9.0                               |      | 25   |                |
| SCMP13WBC8W    | White          |                 | 33  | 10  | 50 <sup>*1</sup>                                | 5  | -40~+85                                  | -40~+100   | 2.9                            | 5              | 100                            | 5              | (x, y)                             | (0.30, 0.30) | 5                  | 90                                | 150  | 5    |                |
| SMLP13WBC9W    |                |                 |   |   |   |  |  |  |                                |                |                                |                | (x, y)                             | (0.29, 0.29) |                    | 56                                | 150  |      |                |

\*1 : Duty 1/10, 1kHz \*2 : Measurement tolerance: ±1nm

\*PICOLED™ is ROHM's pending trademark.

■ Electrical Characteristics Curves

Reference

Fig.1 Forward Current - Forward Voltages

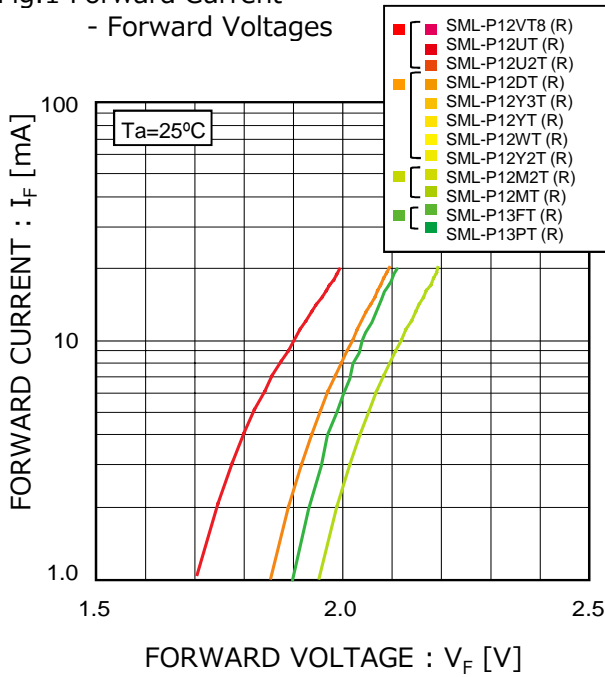


Fig.2 Luminous Intensity - Atmosphere Temperature

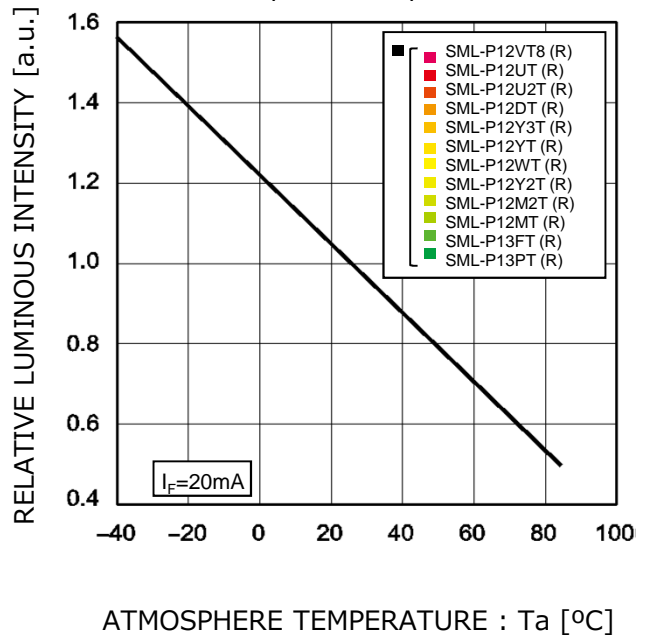


Fig.3 Luminous Intensity - Forward Current

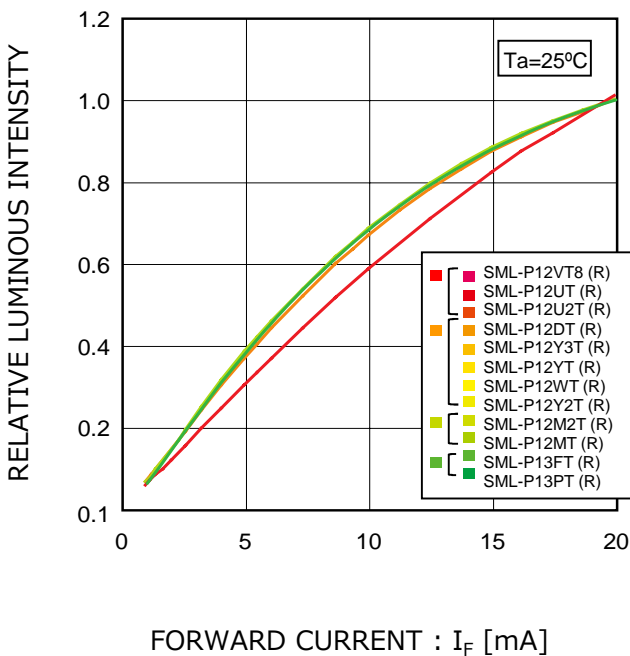
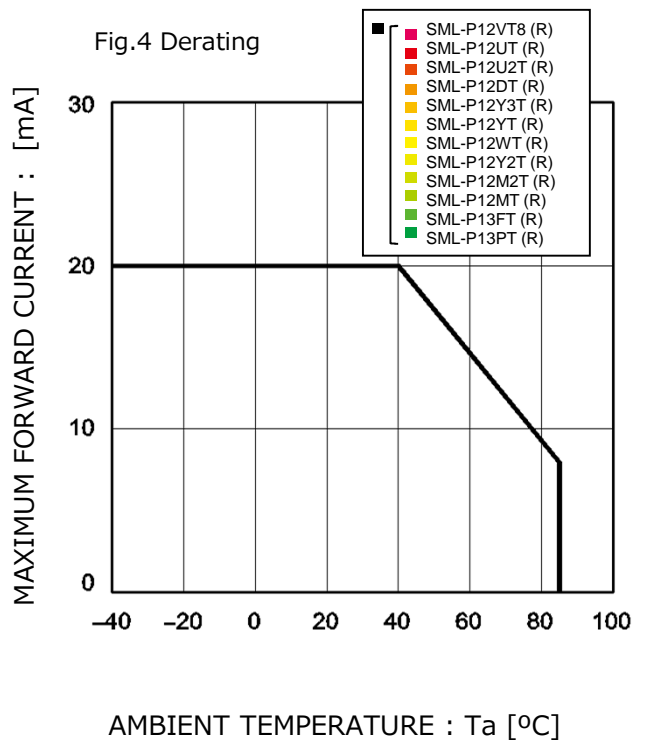


Fig.4 Derating



■ Electrical Characteristics Curves

Reference

Fig.1 Forward Current - Forward Voltages

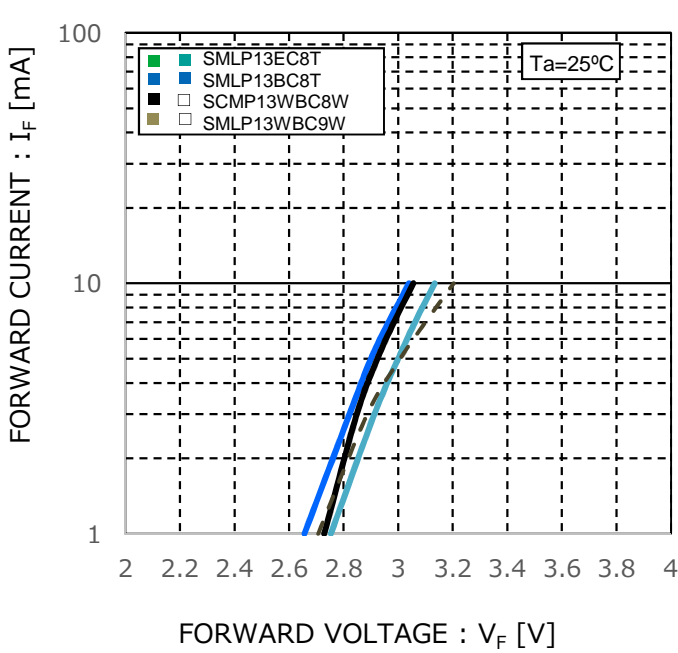


Fig.2 Luminous Intensity - Atmosphere Temperature

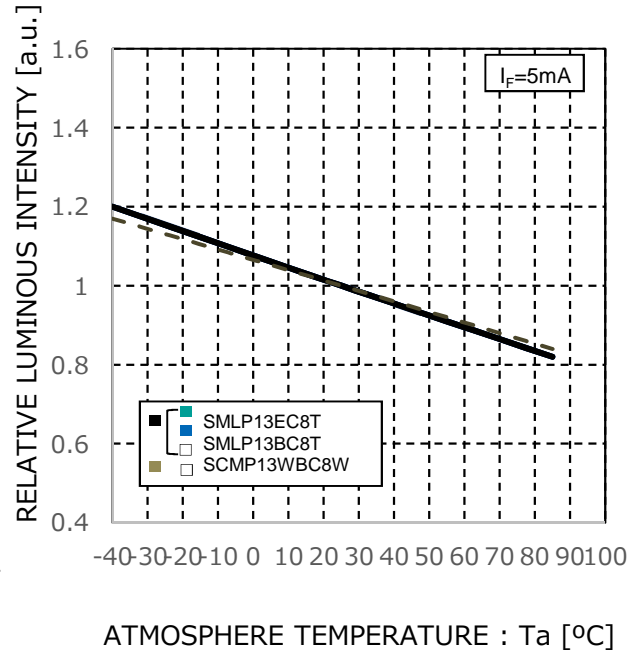


Fig.3 Luminous Intensity - Forward Current

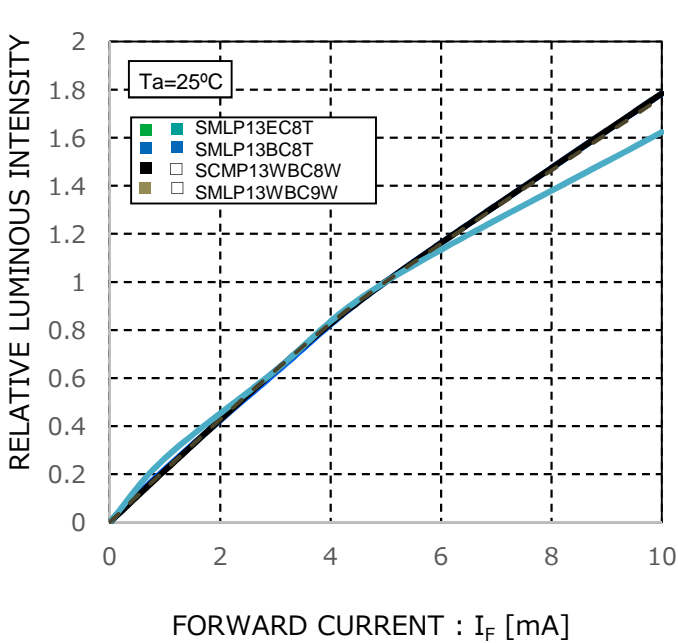
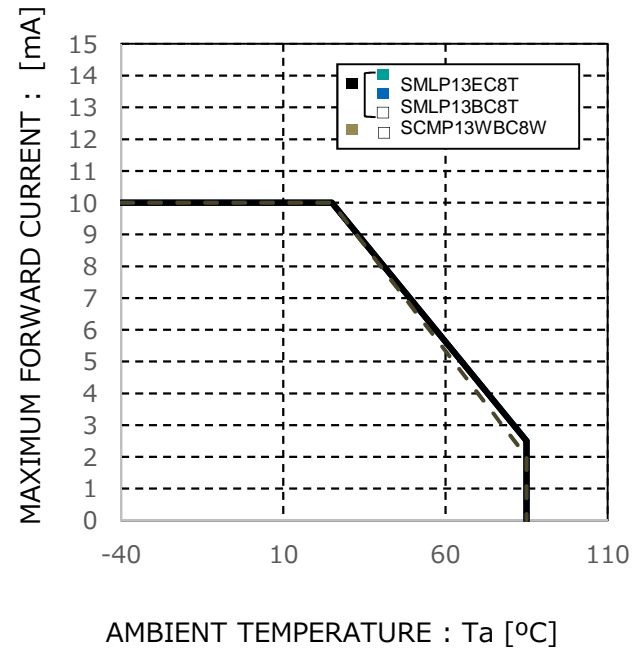
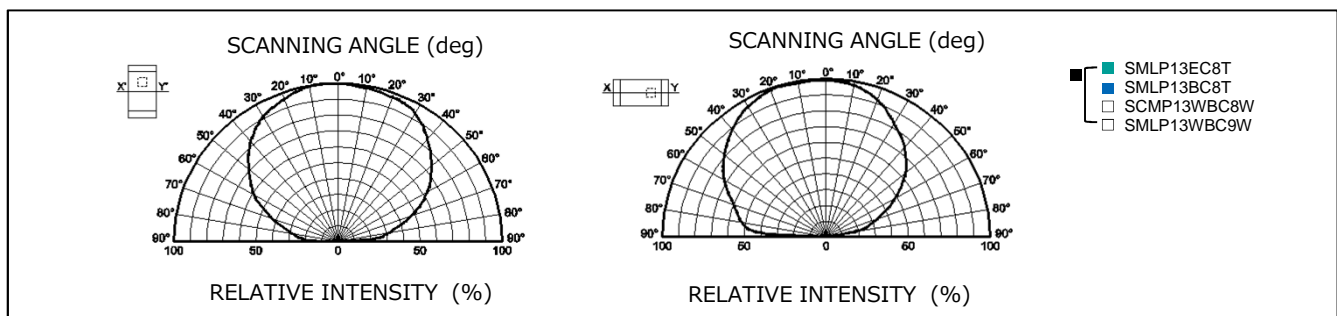
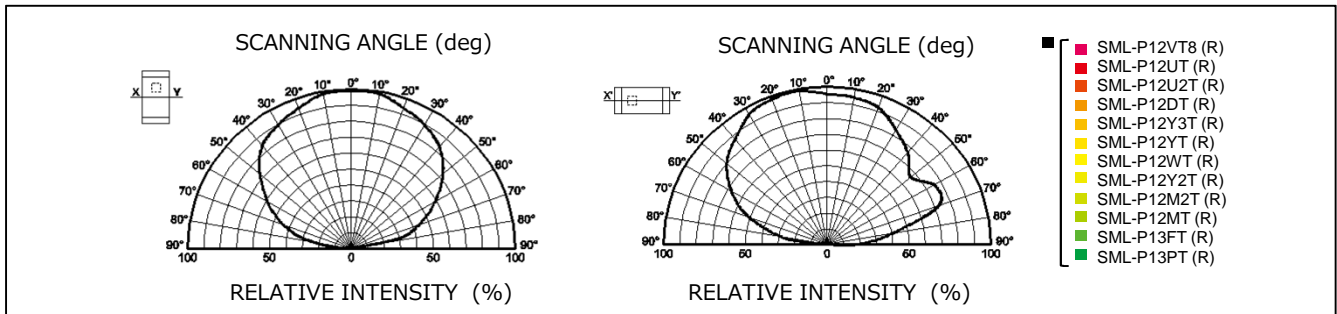


Fig.4 Derating



■ Viewing Angle

Reference



■ Rank Reference of Brightness\*

\*Measurement tolerance:±10%

Red(V,U,U2)

(Ta=25°C, If=20mA)

| Rank       | G       | H       | J       | K       | L      | M     | N     | P     | Q     | R      | S       | T       | U       | V       | W        | X         |
|------------|---------|---------|---------|---------|--------|-------|-------|-------|-------|--------|---------|---------|---------|---------|----------|-----------|
| Iv(mcd)    | 1.0~1.6 | 1.6~2.5 | 2.5~4.0 | 4.0~6.3 | 6.3~10 | 10~16 | 16~25 | 25~40 | 40~63 | 63~100 | 100~160 | 160~250 | 250~400 | 400~630 | 630~1000 | 1000~1600 |
| SML-P12VT  |         |         |         |         |        |       |       |       |       |        |         |         |         |         |          |           |
| SML-P12UT  |         |         |         |         |        |       |       |       |       |        |         |         |         |         |          |           |
| SML-P12U2T |         |         |         |         |        |       |       |       |       |        |         |         |         |         |          |           |

Orange(D)

(Ta=25°C, If=20mA)

| Rank      | G       | H       | J       | K       | L      | M     | N     | P     | Q     | R      | S       | T       | U       | V       | W        | X         |
|-----------|---------|---------|---------|---------|--------|-------|-------|-------|-------|--------|---------|---------|---------|---------|----------|-----------|
| Iv(mcd)   | 1.0~1.6 | 1.6~2.5 | 2.5~4.0 | 4.0~6.3 | 6.3~10 | 10~16 | 16~25 | 25~40 | 40~63 | 63~100 | 100~160 | 160~250 | 250~400 | 400~630 | 630~1000 | 1000~1600 |
| SML-P12DT |         |         |         |         |        |       |       |       |       |        |         |         |         |         |          |           |

Yellow(Y3,Y,W,Y2)

(Ta=25°C, If=20mA)

| Rank       | G       | H       | J       | K       | L      | M     | N     | P     | Q     | R      | S       | T       | U       | V       | W        | X         |
|------------|---------|---------|---------|---------|--------|-------|-------|-------|-------|--------|---------|---------|---------|---------|----------|-----------|
| Iv(mcd)    | 1.0~1.6 | 1.6~2.5 | 2.5~4.0 | 4.0~6.3 | 6.3~10 | 10~16 | 16~25 | 25~40 | 40~63 | 63~100 | 100~160 | 160~250 | 250~400 | 400~630 | 630~1000 | 1000~1600 |
| SML-P12Y3T |         |         |         |         |        |       |       |       |       |        |         |         |         |         |          |           |
| SML-P12YT  |         |         |         |         |        |       |       |       |       |        |         |         |         |         |          |           |
| SML-P12WT  |         |         |         |         |        |       |       |       |       |        |         |         |         |         |          |           |
| SML-P12Y2T |         |         |         |         |        |       |       |       |       |        |         |         |         |         |          |           |

Yellowish Green(M2,M)

(Ta=25°C, If=20mA)

| Rank       | G       | H       | J       | K       | L      | M     | N     | P     | Q     | R      | S       | T       | U       | V       | W        | X         |
|------------|---------|---------|---------|---------|--------|-------|-------|-------|-------|--------|---------|---------|---------|---------|----------|-----------|
| Iv(mcd)    | 1.0~1.6 | 1.6~2.5 | 2.5~4.0 | 4.0~6.3 | 6.3~10 | 10~16 | 16~25 | 25~40 | 40~63 | 63~100 | 100~160 | 160~250 | 250~400 | 400~630 | 630~1000 | 1000~1600 |
| SML-P12M2T |         |         |         |         |        |       |       |       |       |        |         |         |         |         |          |           |
| SML-P12MT  |         |         |         |         |        |       |       |       |       |        |         |         |         |         |          |           |

Green(F,P)

(Ta=25°C, If=20mA)

| Rank      | G       | H       | J       | K       | L      | M     | N     | P     | Q     | R      | S       | T       | U       | V       | W        | X         |
|-----------|---------|---------|---------|---------|--------|-------|-------|-------|-------|--------|---------|---------|---------|---------|----------|-----------|
| Iv(mcd)   | 1.0~1.6 | 1.6~2.5 | 2.5~4.0 | 4.0~6.3 | 6.3~10 | 10~16 | 16~25 | 25~40 | 40~63 | 63~100 | 100~160 | 160~250 | 250~400 | 400~630 | 630~1000 | 1000~1600 |
| SML-P13FT |         |         |         |         |        |       |       |       |       |        |         |         |         |         |          |           |
| SML-P13PT |         |         |         |         |        |       |       |       |       |        |         |         |         |         |          |           |

Green(E)

(Ta=25°C, If=5mA)

| Rank       | G       | H       | J       | K       | L       | M    | N     | P     | Q     | R     | S      | T       | U       | V       | W       |
|------------|---------|---------|---------|---------|---------|------|-------|-------|-------|-------|--------|---------|---------|---------|---------|
| Iv(mcd)    | 0.9~1.4 | 1.4~2.2 | 2.2~3.6 | 3.6~5.6 | 5.6~9.0 | 9~14 | 14~22 | 22~36 | 36~56 | 56~90 | 90~140 | 140~220 | 220~360 | 360~560 | 560~900 |
| SMLP13EC8T |         |         |         |         |         |      |       |       |       |       |        |         |         |         |         |

Blue(B)

(Ta=25°C, If=5mA)

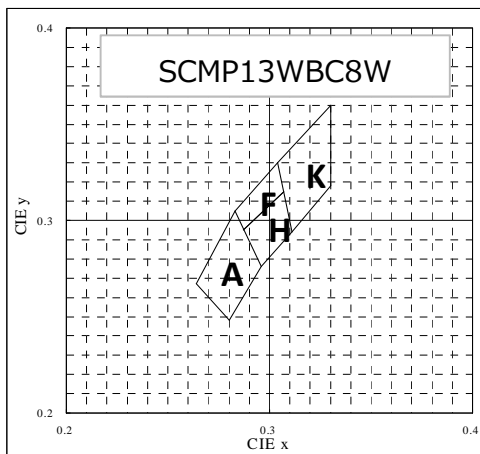
| Rank       | G       | H       | J       | K       | L       | M    | N     | P     | Q     | R     | S      | T       | U       | V       | W       |
|------------|---------|---------|---------|---------|---------|------|-------|-------|-------|-------|--------|---------|---------|---------|---------|
| Iv(mcd)    | 0.9~1.4 | 1.4~2.2 | 2.2~3.6 | 3.6~5.6 | 5.6~9.0 | 9~14 | 14~22 | 22~36 | 36~56 | 56~90 | 90~140 | 140~220 | 220~360 | 360~560 | 560~900 |
| SMLP13BC8T |         |         |         |         |         |      |       |       |       |       |        |         |         |         |         |

White(WB)

(Ta=25°C, If=5mA)

| Rank        | N     | P     | Q     | R     | S      | T       | U       | V       | W       |
|-------------|-------|-------|-------|-------|--------|---------|---------|---------|---------|
| Iv(mcd)     | 14~22 | 22~36 | 36~56 | 56~90 | 90~140 | 140~220 | 220~360 | 360~560 | 560~900 |
| SCMP13WBC8W |       |       |       |       |        |         |         |         |         |
| SMLP13WBC9W |       |       |       |       |        |         |         |         |         |

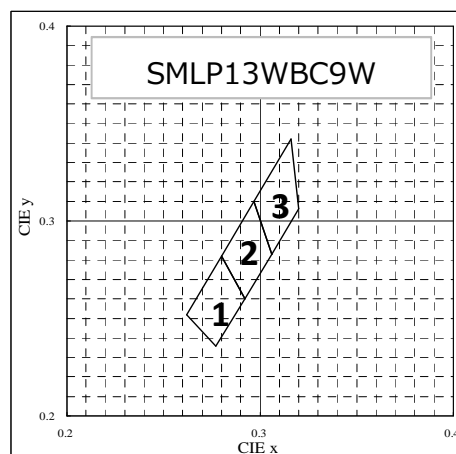
■ Chromaticity Diagram



(T a = 25°C, If=5mA)

| A     |       | F     |       | H     |       | K     |       |
|-------|-------|-------|-------|-------|-------|-------|-------|
| x     | y     | x     | y     | x     | y     | x     | y     |
| 0.280 | 0.248 | 0.283 | 0.305 | 0.287 | 0.295 | 0.304 | 0.330 |
| 0.296 | 0.276 | 0.304 | 0.330 | 0.307 | 0.315 | 0.330 | 0.360 |
| 0.283 | 0.305 | 0.307 | 0.315 | 0.311 | 0.294 | 0.330 | 0.318 |
| 0.264 | 0.267 | 0.287 | 0.295 | 0.296 | 0.276 | 0.311 | 0.294 |

Measurement tolerance : ±0.02



(T a = 25°C, If=5mA)

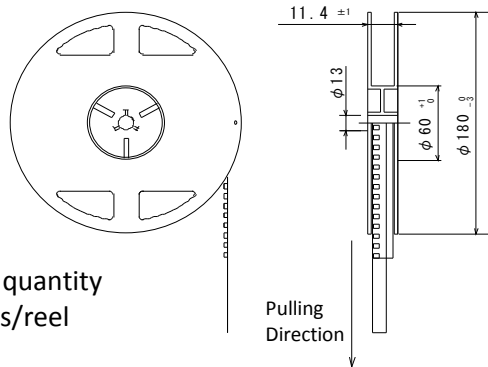
| 1     |       | 2     |       | 3     |       |
|-------|-------|-------|-------|-------|-------|
| x     | y     | x     | y     | x     | y     |
| 0.262 | 0.252 | 0.292 | 0.260 | 0.297 | 0.310 |
| 0.277 | 0.236 | 0.280 | 0.282 | 0.306 | 0.283 |
| 0.292 | 0.260 | 0.297 | 0.310 | 0.320 | 0.306 |
| 0.280 | 0.282 | 0.306 | 0.283 | 0.316 | 0.342 |

Measurement tolerance : ±0.02

■ Taping(T86)



Enlarged drawing of "A"



Unit:mm

Note)Tolerance is within ±0.1mm unless otherwise specified.

Packing quantity  
5,000pcs/reel

■ Part No. Construction

\*"- "will be taken out for emitting color W/B/E series.

Special Code will be applied for Emitting color W/B/E series.

Chromaticity rank (for white LED)

Rank sign (Brightness Rank)\*



| Series name  | Package Type  | Chip type  | Emitting Color  | Resin Color   | Taping Specification                                |  |
|--------------|---|--|---|---|---|--|
| SML Chip LED | P1 1.0x0.6 t=0.2mm<br>E1 1.6x0.8 t=0.36mm<br>D1 1.6x0.8 t=0.55mm<br>H1 2.0x1.25 t=0.8mm<br>M1 3.0x2.0 t=1.3mm<br>z1/z2 3.5x2.8 t=1.9mm<br>A1 1.6x1.15 t=0.55mm<br>r1/r2 3.4x1.25 t=1.1mm<br>K1 4.5x2.0 t=0.6mm<br>S1 3.2x1.6 t=1.85mm<br>P2 1.0x1.0 t=0.2mm<br>52 1.3x1.5 t=0.6mm<br>P34 1.0x1.0 t=0.2mm<br>P36 1.5x1.0 t=0.2mm<br>VN 3.5x2.8 t=0.6mm | 0 Standard Type<br>1 Low Current Type<br>2 High Brightness type<br>3<br>4<br>5 Ultra High Brightness type<br>6<br>7<br>8 | V Red<br>U Red<br>D Red<br>D Orange<br>Y3 Yellow<br>Y2 Yellow<br>Y Yellow<br>W Yellow<br>M2 Yellowish green<br>M Yellowish green<br>F Green<br>P Green<br>E Green<br>B Blue<br>WB White<br>T Phototransistors<br>RGB Red/Green/Blue | V Red<br>U Red<br>D Red<br>D Orange<br>Y3 Yellow<br>Y2 Yellow<br>Y Yellow<br>W Yellow<br>M2 Yellowish green<br>M Yellowish green<br>F Green<br>P Green<br>E Green<br>B Blue<br>WB White<br>T Phototransistors<br>RGB Red/Green/Blue | T Transparent Colorless<br>W Milky White<br>B Black | T86 Cathode at sprocket hole side(the top)<br>T87 Anode at sprocket hole side(the top)<br>1 For white LED,<br>3 cathode at sprocket hole side<br><br>notice) S1 series, 81 series<br>T86 Cathode at sprocket hole side(the back)<br>T68 Cathode at sprocket hole side(the top) |
| SCM Chip LED | 01 3.0x1.5 t=2.2mm  |  |   |   |   |  |

\*Concerning the Brightness rank.  
\*Please refer to the rank chart above for luminous intensity classification.  
\*Part name is individual for each rank.  
\*When shipped as sample,the part name will be a representative part name.  
General products are free of ranks.  
Please contact sales if rank appointment is needed.

■ Packing Specification

ROHM LED products are being shipped with desiccant (silica gel) included in moisture-proof bags. Pasting the moisture sensitive label on the outer surface of the moisture-proof bags or enclosing the humidity indication card inside the bag is available upon request. Please contact the nearest sales office or distributor if necessary.

## ■ Precaution (Surface Mount Device)

### 1. Storage

If the product is heated during the reflow under the condition of hygroscopic state, it may vaporize and expand which will influence the performance of the product.

Therefore, the package is waterproof. Please use the product following the conditions:

#### •Using Conditions

| Classification          | Temperature | Humidity    | Expiration Date              | Remark   |
|-------------------------|-------------|-------------|------------------------------|--|
| ① Before using          | 5~30°C      | 30~70%RH    | Within 1 year from Receiving | Storage with waterproof package  |
| ② After opening package | 5~30°C      | Below 70%RH | Within 168h                  | Please storing in the airtight container with our desiccant (silica gel) |

#### •Baking

Bake the product in case of below:

① The expiration date is passed.

② The color of indicator (silica gel) turned from blue to colorless or from green to pink. (Even if the product is within the expiration date.)

#### •Baking Conditions

| Temperature | Time   | Humidity    |
|-------------|--|-------------|
| 60±3°C      | 12~24h   | Below 20%RH |
| Remark      | <ul style="list-style-type: none"> <li>• Bake products in reel.</li> <li>• Reel and embossed tape are easy to be deformed when baking, so please try not to apply stress on it.</li> <li>• Recommend bake once.</li> </ul> |             |

## 2. Application Methods

### 2 – 1. Precaution for Drive System and Off Mode

Design the circuit without the electric load exceeding the ABSOLUTE MAXIMUM RATING that applies on the products. If drive by constant voltage, it may cause current deviation of the LED and result in deviation of luminous intensity, so we recommend to drive by constant current.

(Deviation of VF Value will cause deviation of current in LED.) Furthermore, for off mode, please do not apply voltage neither forward nor reverse. Especially, for the products with the Ag-paste used in the die bonding, there's high possibility to cause electro migration and result in function failure.

### 2 – 2. Derating

The Derating Characteristics are based on the lifetime of luminous intensity and assumption of degradation & color change of sealing resin or reflector. About its reliability, please evaluate its using conditions and environment and use it after confirmed there is no problem.

### 2 – 3. Operation Life Span

There's possibility for intensity of light drop according to working conditions and environments (applied current, surrounding temperature and humidity, corrosive gases), please call our Sales staffs for inquiries about the concerned application below.

① Longtime intensity of light life

② On mode all the time

### 2 – 4. Applied Stress on Product

The top of the LED is very soft, which the silicon resin is used as sealing resin.

Therefore, please pay attention to the overstress on it which may influence its reliability.

### 2 – 5. Usage

The Product is LED. We are not responsible for the usage as the diode such as Protection Chip, Rectifier, Switching and so on.

### 3. Others

#### 3 – 1. Surrounding Gas

Notice that if it is stored under the condition of acid gas (chlorine gas, sulfured gas) or alkali gas (ammonia), it may result in low soldering ability (caused by the change in quality of the plating surface ) or optical characteristics changes (light intensity, chrominance) and change in quality of cause die bonding (Ag-paste) materials. All of the above will function failure of the products.

Therefore, please pay attention to the storage environment for mounted product (concern the generated gas of the surrounding parts of the products and the atmospheric environment).

#### 3 – 2. Electrostatic Damage

The product is part of semiconductor and electrostatic sensitive, there's high possibility to be damaged by the electrostatic discharge. Please take appropriate measures to avoid the static electricity from human body and earthing of production equipment. The resistance values of electrostatic discharge (actual values) vary with products, therefore, please call our Sales staffs for inquiries.

#### 3 – 3. Electromagnetic Wave

Applications with strong electromagnetic wave such as, IH cooker, will influence the reliability of LED, please refrain from it. Otherwise, there is no guarantee for product quality.



4. Mounting

4 – 1. Soldering

- No resin hardening agent such as filler is used in the sealing resin of the product. Therefore, resin expansion and moisture absorption at humidity will cause heat stress during soldering process and finally has bad influence on the product’s reliability.
- The product is not for flow soldering.
- Do not expose the product in the environment of high temperature (over 100°C) or rapid temperature shift (within 3°C of temperature gradient) during the flow soldering of surrounding parts.
- Please set appropriate reflow temperature based on our product usage conditions and specification.
- The max for reflowing is 2 times, please finish the second reflow soldering and flow soldering with other parts within the usage limitation after open the moistureproof package.
- Compare with N2 reflow, during air reflow, because of the heat and surrounding conditions, it may cause the discoloration of the resin.
- For our product that has no solder resist, because of its solder amount and soldering conditions, one of its specific characteristics is that solder will penetrate into LED. Thus, there's high possibility that will influence its reliability. Therefore, please be informed, concerning it before using it.

4 – 2. Automatic Mounting

4-2-1. Silicon Resin Sealing Product

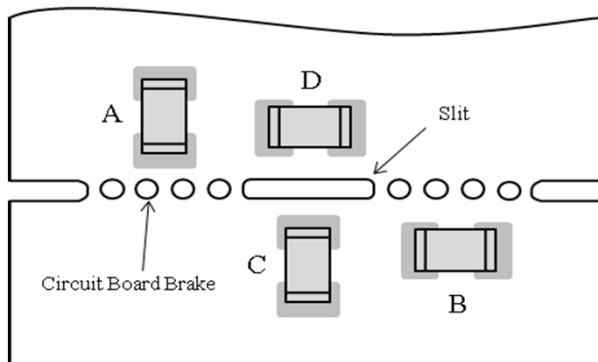
The sealing resin of LED is very soft, so please select adsorption nozzle that would not apply stress directly on the sealing section.

4-2-2. Mini Package (Smaller than 1608 size)

- Vibration may result in low mounting rate since it will cause the static electricity of product and adhere to top cover tape. Therefore, the magnet should be set on parts feeder cassette of the mounter to control the product stabilization. In addition, it is recommended to set ionizer to prevent electrostatic charge.

4 – 3. Mounting Location

The stress like bending stress of circuit board dividing after mounting, may cause LED package crack or damage of LED internal junction, therefore, please concern the mounting direction and position to avoid bending or screwing with great stress of the circuit board.



Stress strength according to the mounting position:  
A > B > C > D

4 – 4. Mechanical Stress after Mounting

The mechanical stress may damage the LED after Circuit Mounting, so please pay attention to the touch on product.

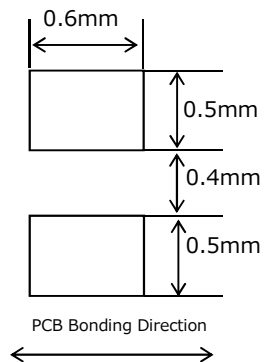
4 – 5. Soldering Pattern for Recommendation

We recommend the soldering pattern that shows on the right. It will be different according to mounting situation of circuit board, therefore, please concern before designing.

※The product has adopted the electrode structure that it should solder with back electrode of the product.

Thus, please be informed that the shape of electrode pin of solder fillet formation is not guaranteed.

The through hole on electrode surface is for conduction of front and rear electrodes but not for formation of solder fillet.



**Reference**  
Mask open area ratio : 80%  
Mask thickness : 80~100µm

4 – 6. Reflow Profile

For reflow profile, please refer to the conditions below:(※)

■ Meaning of marks, Conditions

| Mark                | Meanings   | Conditions     |
|---------------------|--|----------------|
| T <sub>Smax</sub>   | Maximum of pre-heating temperature               | 180°C          |
| T <sub>Smin</sub>   | Minimum of pre-heating temperature               | 140°C          |
| t <sub>s</sub>      | Time from T <sub>Smin</sub> to T <sub>Smax</sub> | Over 60sec.    |
| T <sub>L</sub>      | Reference temperature                            | 230~260°C      |
| t <sub>L</sub>      | Retention time for T <sub>L</sub>                | Within 40sec.  |
| T <sub>P</sub>      | Peak temperature                                 | 260°C(Max)     |
| t <sub>p</sub>      | Time for peak temperature                        | Within 10sec.  |
| ΔT <sub>R</sub> /Δt | Temperature rising rate                          | Under 3°C/sec. |
| ΔT <sub>D</sub> /Δt | Temperature decreasing rate                      | Over -3°C/sec. |



※Above conditions are for reference. Therefore, evaluate by customer’s own circuit boards and reflow furnaces before using, because stress from circuit boards and temperature variations of reflow furnaces vary by customer’s own conditions.

4 – 7. Attention Points in Soldering Operation

This product was developed as a surface mount LED especially suitable for reflow soldering. So reflow soldering is recommended. In case of implementing manual soldering, please take care of following points.

①SOLDER USED

Sn-Cu, Sn-Ag-Cu, Sn-Ag-Bi-Cu

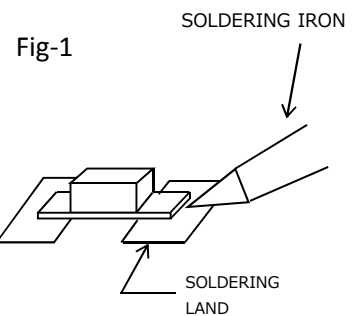
②HAND SOLDERING CONDITION

LED products do not contain reinforcement material such as a glass fillers.

So thermal stress by soldering greatly influence its reliability.

Please keep following points for manual soldering.

|    | ITEM                     | RECOMMENDED CONDITION   |
|----|--------------------------|---|
| a) | Heating method           | Condition ) Temp. of iron top less than 400°C within 3 sec.<br>Heating on PCB pattern, not direct to the LED. (Fig-1) |
| b) | Handling after soldering | Please handle after the part temp. goes down to room temp.  |



4 – 8. Cleaning after Soldering

Please follow the conditions below if the cleaning is necessary after soldering.

|                     |  |
|---------------------|--|
| Solvent             | We recommend to use alcohols solvent such as, isopropyl alcohols |
| Temperature         | Under 30°C within 3 minutes                                      |
| Ultrasonic Cleaning | 15W/Below 1 liter (capacity of tank)                             |
| Drying              | Under 100°C within 3 minutes                                     |

## Notes

- 1) The information contained herein is subject to change without notice.
- 2) Before you use our Products, please contact our sales representative and verify the latest specifications :
- 3) Although ROHM is continuously working to improve product reliability and quality, semiconductors can break down and malfunction due to various factors.  
Therefore, in order to prevent personal injury or fire arising from failure, please take safety measures such as complying with the derating characteristics, implementing redundant and fire prevention designs, and utilizing backups and fail-safe procedures. ROHM shall have no responsibility for any damages arising out of the use of our Products beyond the rating specified by ROHM.
- 4) Examples of application circuits, circuit constants and any other information contained herein are provided only to illustrate the standard usage and operations of the Products. The peripheral conditions must be taken into account when designing circuits for mass production.
- 5) The technical information specified herein is intended only to show the typical functions of and examples of application circuits for the Products. ROHM does not grant you, explicitly or implicitly, any license to use or exercise intellectual property or other rights held by ROHM or any other parties. ROHM shall have no responsibility whatsoever for any dispute arising out of the use of such technical information.
- 6) The Products are intended for use in general electronic equipment (i.e. AV/OA devices, communication, consumer systems, gaming/entertainment sets) as well as the applications indicated in this document.
- 7) The Products specified in this document are not designed to be radiation tolerant.
- 8) For use of our Products in applications requiring a high degree of reliability (as exemplified below), please contact and consult with a ROHM representative : transportation equipment (i.e. cars, ships, trains), primary communication equipment, traffic lights, fire/crime prevention, safety equipment, medical systems, servers, solar cells, and power transmission systems.
- 9) Do not use our Products in applications requiring extremely high reliability, such as aerospace equipment, nuclear power control systems, and submarine repeaters.
- 10) ROHM shall have no responsibility for any damages or injury arising from non-compliance with the recommended usage conditions and specifications contained herein.
- 11) ROHM has used reasonable care to ensure the accuracy of the information contained in this document. However, ROHM does not warrant that such information is error-free, and ROHM shall have no responsibility for any damages arising from any inaccuracy or misprint of such information.
- 12) Please use the Products in accordance with any applicable environmental laws and regulations, such as the RoHS Directive. For more details, including RoHS compatibility, please contact a ROHM sales office. ROHM shall have no responsibility for any damages or losses resulting from non-compliance with any applicable laws or regulations.
- 13) When providing our Products and technologies contained in this document to other countries, you must abide by the procedures and provisions stipulated in all applicable export laws and regulations, including without limitation the US Export Administration Regulations and the Foreign Exchange and Foreign Trade Act.
- 14) This document, in part or in whole, may not be reprinted or reproduced without prior consent of ROHM.



Thank you for your accessing to ROHM product informations.  
More detail product informations and catalogs are available, please contact us.

## ROHM Customer Support System

<http://www.rohm.com/contact/>



SCMP13WBC8W - Web Page

[Distribution Inventory](#)

|                             |             |
|-----------------------------|-------------|
| Part Number                 | SCMP13WBC8W |
| Package                     | SML-P1      |
| Unit Quantity               | 5000        |
| Minimum Package Quantity    | 5000        |
| Packing Type                | Taping      |
| Constitution Materials List | inquiry     |
| RoHS                        | Yes         |