



TWR-MCF51JG Tower Module

User's Manual

Rev. 1.1

Table of Contents

1 TWR-MCF51JG and TWR-MCF51JG-KIT Overview	4
1.1 Contents.....	5
1.2 Features	5
1.3 Getting Started	6
1.4 Reference Documents	6
2 Hardware Description	7
2.1 MCF51JG Microcontroller.....	7
2.2 Clocking	8
2.3 System Power.....	9
2.4 Debug Interface	13
2.4.1 OSBDM	13
2.5 Accelerometer.....	13
2.6 Pushbuttons, LEDs	14
2.7 General Purpose Tower Plug-in (TWRPI) Socket.....	14
2.8 USB.....	15
3 Jumper Table.....	16
4 Input/Output Connectors and Pin Usage Table.....	17
5 Tower Elevator Connections	19

List of Figures

Figure 1. Freescale Tower System Overview	4
Figure 2. Callouts on front side of the TWR-MCF51JG	6
Figure 3. TWR-MCF51JG Block Diagram	7
Figure 4. Main Oscillator Input	8
Figure 5. 32 KHz Oscillator Input.....	9
Figure 6. Accelerometer Circuit	13
Figure 7. USB dual-role interface	16

List of Tables

Table 1. J10, Regulator Power Source Selection.....	9
Table 2. J9, Board Power Source Selection.....	11
Table 3. J12, Board Power Source Selection.....	11
Table 4. General Purpose TWRPI socket pinout	15
Table 5. TWR-MCF51JG Jumper Table	16
Table 6. I/O Connectors and Pin Usage Table.....	17
Table 7. TWR-MCF51JG Primary Connector Pinout.....	19

Revision History

Revision	Date	Changes
0		Initial Release for Rev A pre-production module.
1	Oct. 2012	Updates for Rev B module.

1 TWR-MCF51JG and TWR-MCF51JG-KIT Overview

The TWR-MCF51JG is a Tower Controller Module compatible with the Freescale Tower System. It can function as a stand-alone, low-cost platform for the evaluation of the ColdFire+ MCF51JG microcontroller (MCU) devices. The TWR-MCF51JG features the MCF51JG, a ColdFire+ 32-bit microcontroller built on the Version 1 (V1) ColdFire® core and enabled by innovative 90nm thin film storage (TFS) flash process technology with FlexMemory. The MCF51Jx families offer a rich combination of additive peripherals including USB, hardware encryption, and more.

The TWR-MCF51JG is available as a stand-alone product or as a kit (TWR-MCF51JG-KIT) with the Tower Elevator Modules (TWR-ELEV) and the Tower Prototyping Module (TWR-PROTO). The TWR-MCF51JG can also be combined with other Freescale Tower peripheral modules to create development platforms for a wide variety of applications. Figure 1 provides an overview of the Freescale Tower System.

Controller Module

- Tower MCU/MPU board
- Works stand-alone or in Tower System
- Features integrated debugging interface for easy programming and run-control via standard USB cable

Secondary Elevator

- Additional and secondary serial and expansion bus signals
- Standardized signal assignments
- Mounting holes and expansion connectors for side-mounting peripheral boards

Size

- Tower is approx. 3.5" H x 3.5" W x 3.5" D when fully assembled

Peripheral Module

- Examples include serial interface module, memory expansion module and Wi-Fi®

Primary Elevator

- Common serial and expansion bus signals
- Two 2x80 connectors on backside for easy signal access and side-mounting board (LCD module)
- Power regulation circuitry
- Standardized signal assignments
- Mounting holes

Board Connectors

- Four card-edge connectors
- Uses PCI Express® connectors (x16, 90 mm/3.5" long, 164 pins)

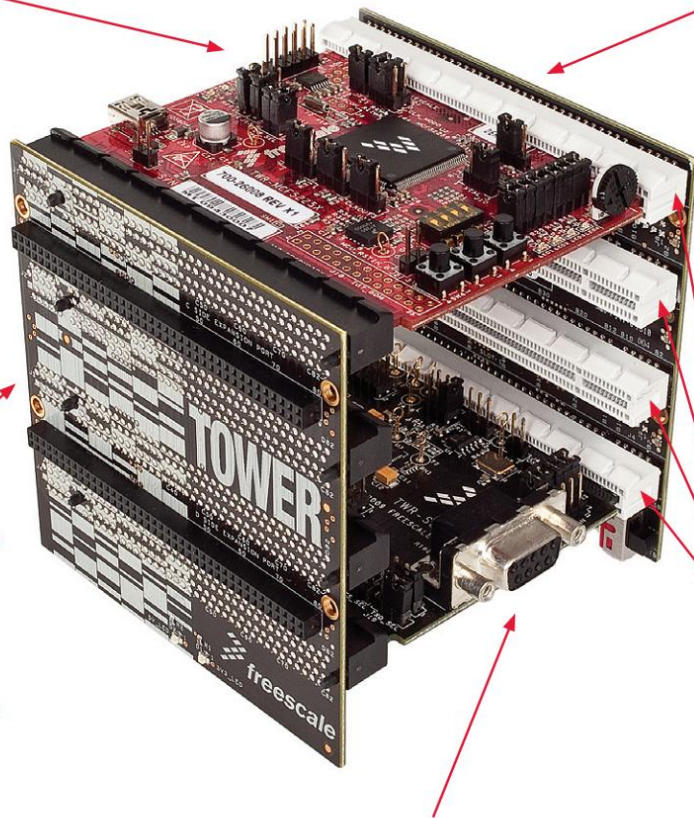


Figure 1. Freescale Tower System Overview

1.1 Contents

The TWR-MCF51JG contents include:

- TWR-MCF51JG board assembly
- 3ft A to mini-B USB cable for debug interface and power
- 3ft A to micro-B USB cable for MCF51JG USB interface
- Micro-A to A adapter for MCF51JG USB Host applications
- Quick Start Guide

The TWR-MCF51JG-KIT contains:

- TWR-MCF51JG MCU module
- TWR-ELEV – Primary and Secondary Elevator Modules
- TWR-PROTO – Prototyping module

1.2 Features

Figure 2 shows the TWR-MCF51JG with some of the key features called out. The following list summarizes the features of the TWR-MCF51JG Tower MCU Module:

- Tower compatible microcontroller module
- MCF51JG256: MCF51JG with 256 Kbytes of flash in a 44-pin MAPLGA package
- Dual role USB interface with Micro-AB USB connector
- General purpose Tower Plug-in (TWRPI) socket
- On-board debug circuit (OSBDM) with virtual serial port
- Three axis accelerometer (MMA8451Q)
- Two (2) user-controllable LEDs
- Two (2) user pushbutton switches & One (1) reset pushbutton switch

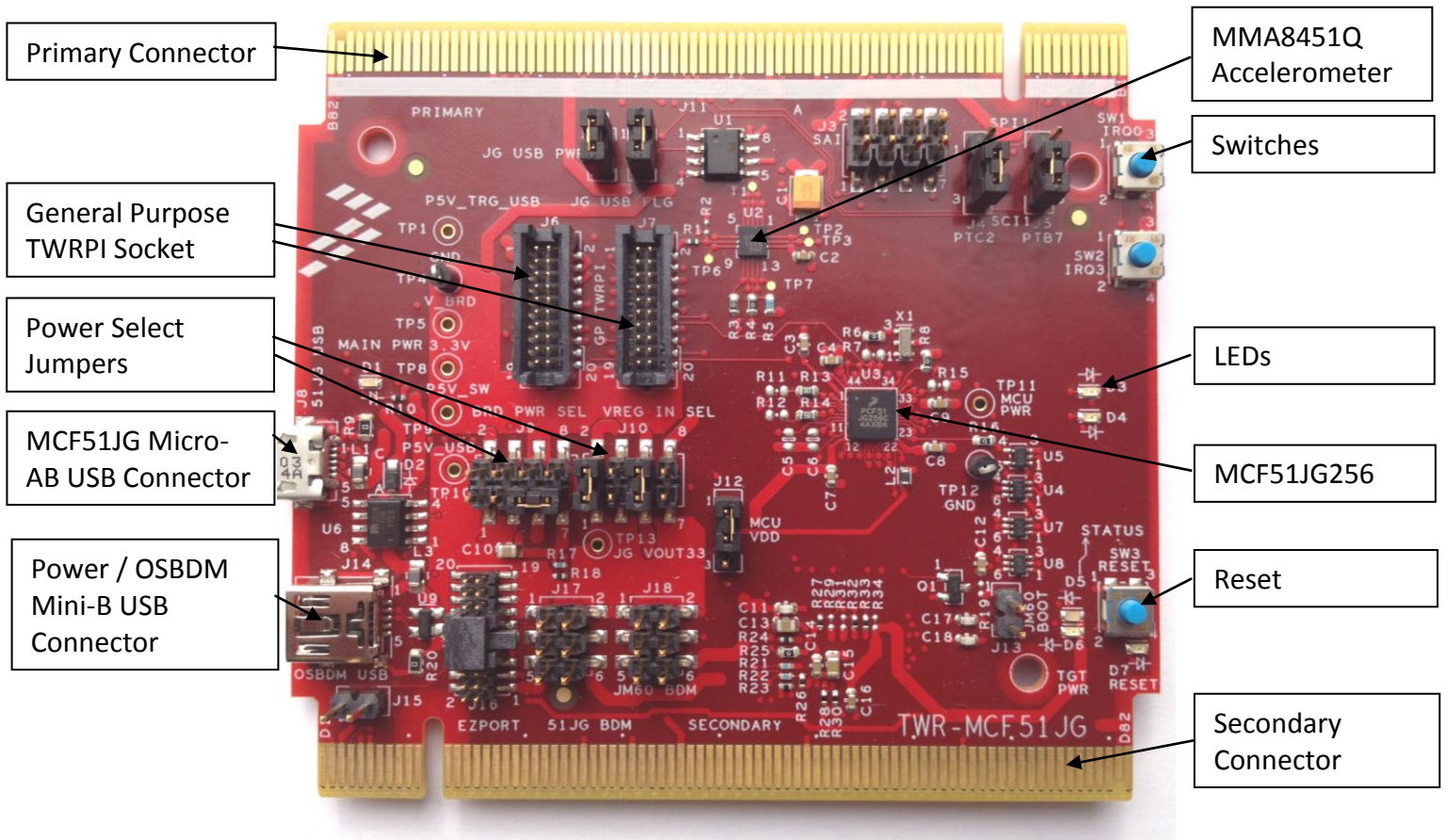


Figure 2. Callouts on front side of the TWR-MCF51JG

1.3 Getting Started

Follow the Quick Start Guide found printed in the TWR-MCF51JG box or the interactive DVD for the list of recommended steps for getting started. Check for new or revised documentation on the tool support page for the TWR-MCF51JG: <http://www.freescale.com/TWR-MCF51JG>.

1.4 Reference Documents

The documents listed below should be referenced for more information on the ColdFire+ devices, Freescale Tower System, and the TWR-MCF51JG Controller Module. These can be found in the documentation section of [freescale.com/TWR-MCF51JG](http://www.freescale.com/TWR-MCF51JG) or [freescale.com/coldfire+](http://www.freescale.com/coldfire+).

- *TWR-MCF51JG-QSG: Quick Start Guide*
- *TWR-MCF51JG-SCH: Schematics*
- *TWR-MCF51JG-PWA: Design Package*
- *ColdFire+ Portfolio Product Brief*
- *MCF51JG256 Reference Manual*
- *Tower Configuration Tool*
- *Tower Mechanical Drawing*

2 Hardware Description

The TWR-MCF51JG is a Tower Controller Module featuring the MCF51JG256—a ColdFire+ based microcontroller with USB 2.0 full-speed OTG controllers in a 44 MAPLGA package. It is intended for use in the Freescale Tower System but can operate stand-alone. An on-board debug circuit, OSBDM, provides a BDM interface and a power supply input through a single USB mini B connector. Figure 3 shows a block diagram of the TWR-MCF51JG. The following sections describe the hardware in more detail.

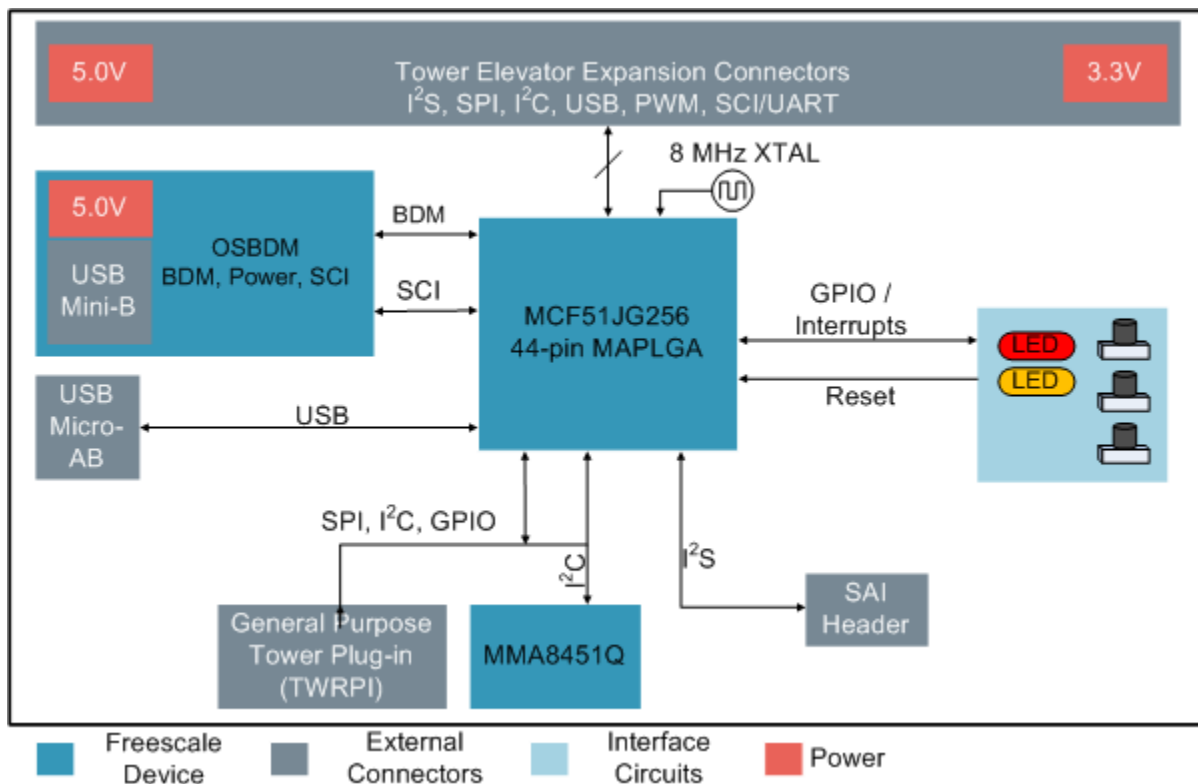


Figure 3. TWR-MCF51JG Block Diagram

2.1 MCF51JG Microcontroller

The TWR-MCF51JG module features the MCF51JG256CFT. The key features of the microcontroller are:

- 32-bit ColdFire+ core with FlexMemory, EMAC, and DIV hardware acceleration
- 50 MHz maximum core operating frequency
- 44-pin MAPLGA, 5mm x 5mm
- 1.85V – 3.6V operating voltage input range
- 256 Kbytes of program flash, 64 Kbytes of static RAM
- FlexMemory consisting of 32 Kbytes of FlexMemory that can be used as additional non-volatile flash or up to 2KB of enhanced EEPROM.
- 10 flexible low power modes, ideal for extending battery life
- Cryptographic Acceleration Unit (CAU) and Random Number Generator (RNGA) for secure communications

- Integrated USB 2.0 Full-Speed Device/Host/OTG Controller supporting connection via USB and battery charging
- Serial audio interface (SAI) providing a direct interface to codecs and to Inter-IC Sound (I2S) audio devices
- Real-time debug support, with six hardware breakpoints that can be configured to halt the processor or generate debug interrupt
- Multi-purpose clock generator with PLL and FLL operation modes; multiple input oscillator or resonator frequency ranges; two internal trimmable references
- SPI, I²C, UART (SCI)
- GPIO with pin interrupt support, DMA request capability, digital glitch filtering

2.2 Clocking

The ColdFire+ MCUs start up from an internal digitally controlled oscillator (DCO). Software can enable the main external oscillator (EXTAL/XTAL) if desired. The external oscillator/resonator for the Multipurpose Clock Generator (MCG) module can range from 32.768 KHz up to a 32 MHz.

The TWR-MCF51JG provides an 8 MHz ceramic resonator as shown in Figure 4 below and sheet 4 of the schematics. This oscillator can be used as a clock source for the phase locked loop (PLL) inside the MCG.

Notes

1. When R7 is not populated (default), configure the crystal oscillator for low-power operation (MCG_C2[HGO] = 0).
2. The resonator used here has internal load capacitors. Therefore no external or internal load capacitance within the MCU is required.

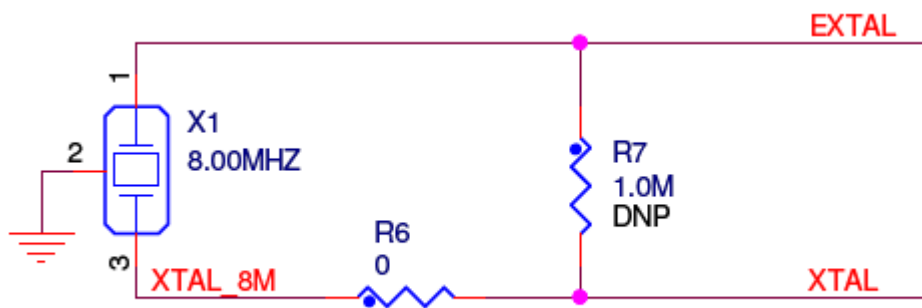


Figure 4. Main Oscillator Input

Additionally, the TWR-MCF51JG provides a 32.768 KHz oscillator for an accurate real time clock source.

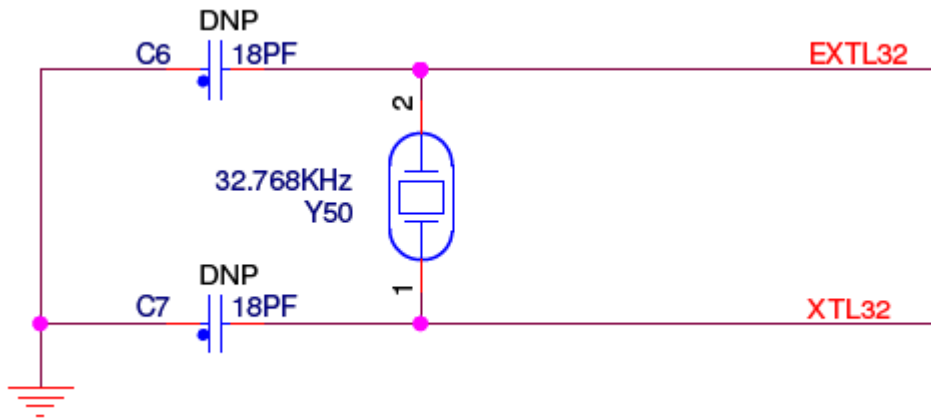


Figure 5. 32 KHz Oscillator Input

2.3 System Power

When installed into a Tower System, the TWR-MCF51JG can be powered from either an on-board source or from another source in the assembled Tower System.

In stand-alone operation, the main power source for the TWR-MCF51JG module is derived from the 5.0V input from either the OSBDM USB mini-B connector (**J14**), the MCF51JG USB micro-AB connector (**J8**), or the EzPort header (J16) when a shunt is placed on jumper **J15**. Two low-dropout regulators provide 3.3V and 2.0V supplies from the 5.0V input voltage. Additionally, the 3.3V regulator built into the MCF51JG can be selected. All the user selectable options can be configured using two headers, **J9** and **J10**.

The **J10** header is used to select the power source that is supplied to one of the three possible voltage regulators. The **J11** header is used to select the regulated board power source. Refer to Table 1 and Table 2 for details.

Table 1. J10, Regulator Power Source Selection

J10 Shunt Setting		Description
	1-2	Power from the OSBDM interface (J14) supplied to the on-board voltage regulators. This is a default setting .
	5-6	Power from the MCF51JG USB device interface (J8) supplied to the MCF51JG on-chip regulator. This is a default setting .

	6-8	Power from the Tower Primary Connector USB device interface supplied to the MCF51JG on-chip regulator.
	3-5 2-4	Power from the MCF51JG USB device interface (J8) supplied to the on-board voltage regulators.

Table 2. J9, Board Power Source Selection

J9 Shunt Setting		Description
	3-5	Board power is supplied by the 3.3V on-board (external) regulator. This is the default setting .
	5-7	Board power is supplied by the 2.0V on-board (external) regulator.
	1-2	Board power is supplied by the 3.3V MCF51JG on-chip (internal) regulator.
	1-3 5-7	Power from the 3.3V MCF51JG on-chip (internal) regulator is supplied to the 3.3V on-board (external) regulator. Board power is supplied by the 2.0V on-board (external) regulator. Note: Take care not to install a shunt on J10 pins 1-2 when J9 is in this configuration. It is recommended to remove the shunt from J10 1-2 and use it on J9 for this setting.
	—	An external battery or other alternate source can be connected to pins 5 (positive) and 6 (negative, ground).

The 3.3V or 2.0V power supplied to the MCU is routed through a jumper, **J12**. The jumper shunt can be removed to allow for either (1) selecting the source of the MCU supply voltage or (2) the measurement of power consumed by the MCU.

Table 3. J12, Board Power Source Selection

J12 Shunt Setting		Description
	3-5	MCU power is supplied by the board power source selection jumper (J9). This is the default setting .
	5-7	MCU power is supplied by the 3.3V MCF51JG on-chip (internal) regulator. Use this jumper setting if it is desired to power only the MCU with the on-chip (internal) regulator and not the rest of the board.

2.4 Debug Interface

There are two debug interface options provided: the on-board OSBDM circuit and an external Background Debug Mode (BDM) connector. The BDM connector is a standard 6-pin connector providing an external debugger cable with access to the BDM interface of the MCF51JG256. Alternatively, the on-board OSBDM debug interface can be used to access the debug interface of the MCF51JG256.

Note: When using an external debug pod to connect to the MCF51JG, be sure to connect the BDM cable to **J17** (JG BDM). Avoid connecting to **J18** (JM60 BDM) which is directly next to **J17**. **J18** provides a debug connection to the OSBDM MCU (MC9S08JM60).

2.4.1 OSBDM

An on-board MC9S08JM60 based Open Source BDM (OSBDM) circuit provides a BDM debug interface to the MCF51JG. A standard USB A male to mini-B male cable (provided) can be used for debugging via the USB connector, **J14**. The OSBDM interface also provides a USB to serial bridge. Drivers for the OSBDM interface are provided in the *P&E Micro OSBDM/OSJTAG Tower Toolkit* (available on the MCF51JG product website). These drivers and more utilities can be found online at <http://www.pemicro.com/osbdm>.

2.5 Accelerometer

An MMA8451Q digital accelerometer is connected to the MCF51JG MCU through an I2C interface (I²C0: PTB2 and PTB3) and two GPIO/IRQ signals (PTC4 and PTC5).

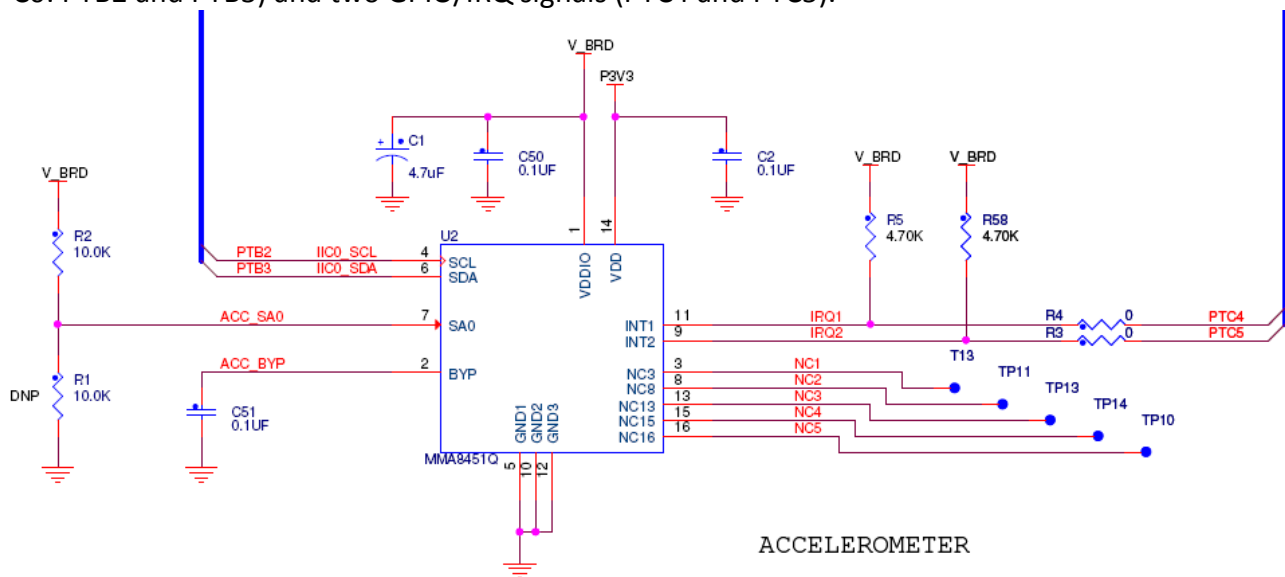


Figure 6. Accelerometer Circuit

2.6 Pushbuttons, LEDs

The TWR-MCF51JG features, two pushbutton switches (SW1 & SW2) connected to IRQ signals IRQ0 (PTB1) and IRQ3 (PTC1), a pushbutton switch (SW3) connected to the master reset signal, and two user-controllable LEDs connected to GPIO signals (PTB6 and PTC0).

Refer to Table 6 “I/O Connectors and Pin Usage Table” for more information.

2.7 General Purpose Tower Plug-in (TWRPI) Socket

The TWR-MCF51JG features a socket that can accept a variety of different Tower Plug-in modules featuring sensors, RF transceivers, and more. The General Purpose TWRPI socket provides access to I2C, SPI, IRQs, GPIOs, timers, analog conversion signals, TWRPI ID signals, reset, and voltage supplies. The pinout for the TWRPI Socket is defined in Table 4.

Refer to Table 6 “I/O Connectors and Pin Usage Table” for the specific MCF51JG pin connections to the General Purpose TWRPI socket.

Table 4. General Purpose TWRPI socket pinout

Left-side 2x10 Connector		Right-side 2x10 Connector	
Pin	Description	Pin	Description
1	5V VCC	1	GND
2	3.3 V VCC	2	GND
3	GND	3	I2C: SCL
4	3.3V VDDA	4	I2C: SDA
5	VSS (Analog GND)	5	GND
6	VSS (Analog GND)	6	GND
7	VSS (Analog GND)	7	GND
8	ADC: Analog 0	8	GND
9	ADC: Analog 1	9	SPI: MISO
10	VSS (Analog GND)	10	SPI: MOSI
11	VSS (Analog GND)	11	SPI: SS
12	ADC: Analog 2	12	SPI: CLK
13	VSS (Analog GND)	13	GND
14	VSS (Analog GND)	14	GND
15	GND	15	GPIO: GPIO0/IRQ
16	GND	16	GPIO: GPIO1/IRQ
17	ADC: TWRPI ID 0	17	GPIO: GPIO2
18	ADC: TWRPI ID 1	18	GPIO: GPIO3
19	GND	19	GPIO: GPIO4/Timer
20	Reset	20	GPIO: GPIO5/Timer

2.8 USB

The MCF51JG features a USB full-speed/low-speed OTG/Host/Device controller with built-in transceiver. The TWR-MCF51JG routes the USB D+ and D- signals from the MCF51JG MCU to either the on-board USB connector (**J8**) or the Tower Primary Connector (allowing the connection to external USB connectors or additional circuitry on a Tower peripheral module) depending on the value of four optional resistors: R11/R12 and R13/R14. By default, R11 and R12 are not populated and R13 and R14 are. This connects the MCF51JG USB signals to the on-board USB circuit.

A power supply switch with an enable input signal and over-current flag output signal is used to supply power to the USB connector when the MCF51JG is operating in host mode. Port pin PTA2 is connected to the flag output signal and port pin PTA1 is used to drive the enable signal. Both port pins can be isolated with jumpers if needed.

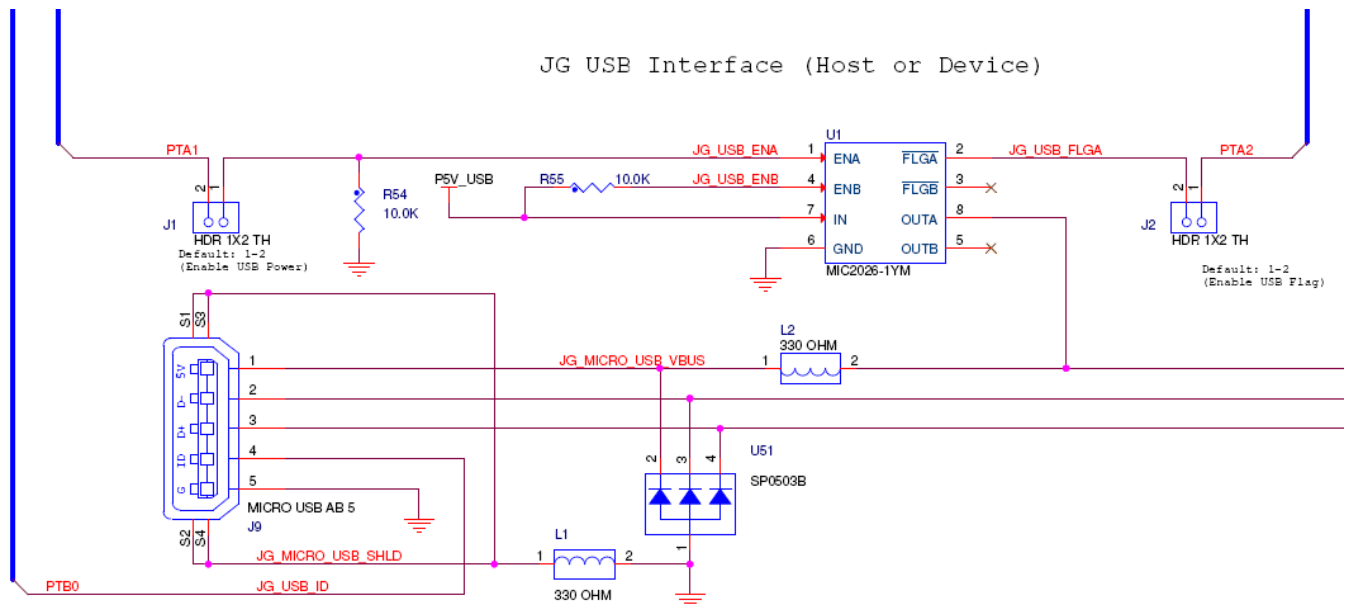


Figure 7. USB dual-role interface

3 Jumper Table

There are several jumpers on the TWR-MCF51JG that provide configuration selection and signal isolation. Refer to the following table for details. The default installed jumper settings are shown in bold with asterisks.

Table 5. TWR-MCF51JG Jumper Table

Jumper	Option	Setting	Description
J1	USB Power Switch Enable Input Connection	*ON*	Connect PTA1 to USB power switch enable input
		OFF	Disconnect PTA1 from USB power switch enable
J2	USB Power Switch Flag Output Connection	*ON*	Connect PTA2 to USB power switch over-current flag output
		OFF	Disconnect PTA2 from USB power switch over-current flag output
J4	SCI1/SPI1 Connection Selection	*1-2*	Connect SCI1_RX/SPI1_MISO to SPI1_MISO on Primary Edge
		2-3	Connect SCI1_RX/SPI1_MISO to SCI1_RX (RXD1) on Primary Edge
J5	SCI1/SPI1 Connection Selection	*1-2*	Connect SCI1_TX/SPI1_MOSI to SPI1_MOSI on Primary Edge
		2-3	Connect SCI1_TX/SPI1_MOSI to SCI1_TX (TXD1) on Primary Edge
J9	Board Power Source Selection	*3-5*	Refer to Table 2

J10	Regulator Power Source Selection	*1-2* *5-6*	Refer to Table 1
J12	MCU Voltage Selector	*1-2*	Power MCU from board power source selection jumper (J9).
		2-3	Power MCU with output of on-chip voltage regulator (VOUT33).
J13	OSBDM Mode Selection	ON	OSBDM bootloader mode (OSBDM firmware reprogramming)
		OFF	Debugger mode
J15	EzPort Power Connection	ON	Connect on-board 5V supply to EzPort header (supports powering board from external EzPort probe)
		OFF	Disconnect on-board 5V supply from EzPort header

4 Input/Output Connectors and Pin Usage Table

The following table provides details on which MCF51JG pins are using to communicate with the LEDs, switches, and other I/O interfaces onboard the TWR-MCF51JG.

Note: Some port pins are used in multiple interfaces on-board and many are potentially connected to off-board resources via the Tower Primary Connector. Take care to avoid attempted simultaneous usage of mutually exclusive features.

Table 6. I/O Connectors and Pin Usage Table

Feature	Connection	Port Pin	Pin Function	Shared With
OSBDM/USB Bridge	UART Receive	PTB5	SCI2_RX	SPI2_MISO
	UART Transmit	PTB4	SCI2_TX	SPI2_MOSI
USB OTG	Data Negative	USB0_DN	Differential Data	
	Data Positive	USB0_DP	Differential Data	
EZPORT	EZPort Clock	PTB0	EZP_CLK	TWRPI, USB OTG
	EZPort Data Out	PTA6	EZP_DO	TWRPI, SAI
	EZPort Data In	PTA7	EZP_DI	TWRPI
	EZPort Chip Select	PTB1	EXP_CS_B	IRQ0/SW1
	Reset	RESET_B	JG_RESET_B	
Switches	SW1	PTB1	IRQ0	EZP_CS_B
	SW2	PTC1	IRQ3	FTM1_CH5
	SW3	RESET_B	Reset	
SAI	SAI Receive FS	PTA6	SAI0_RX_FS	EZPORT, TWRPI

Feature	Connection	Port Pin	Pin Function	Shared With
	SAI Transmit FS	PTD0	SAIO_RX_FS	SPI
	SAI Transmit Data	PTD1	SAIO_TXD	SPI
	SAI Receive Data	PTA5	SAIO_RXD	FTM1_CH4
	SAI Receive Clock	PTA3	SAIO_RX_BCLK	FTM1_CH2, CLKOUT
	SAI Transmit Clock	PTD2	SAIO_TX_BCLK	SPI
	SAI Input Clock	PTD3	SAIO_CLKIN/MCLK	SPI
Accelerometer	I2C Clock	PTB2	IIC0_SCL	SCI1_RTS SCI1_CTS
	I2C Data	PTB3	IIC0_SDA	
	IRQ1	PTC4	IRQ1	
	IRQ2	PTC5	IRQ2	
TWRPI	TWRPI I2C SCL (J7 Pin 3)	PTB2	IIC0_SCL	Accelerometer
	TWRPI I2C SDA (J7 Pin 4)	PTB3	IIC0_SDA	Accelerometer
	TWRPI SPI MISO (J7 Pin 9)	PTC2	SPI1_MISO	SCI1_RX
	TWRPI SPI MOSI (J7 Pin 10)	PTB7	SPI1_MOSI	SCI1_TX
	TWRPI SPI SS (J7 Pin 11)	PTC7	SPI1_SS	
	TWRPI SPI CLK (J7 Pin 12)	PTC3	SPI1_SCLK	
	TWRPI GPIO0 (J7 Pin 15)	PTA6	GPIO0	SAIO, EZPORT
	TWRPI GPIO1 (J7 Pin 16)	PTB0	GPIO1	USB OTG, EZPORT
	TWRPI GPIO2 (J7 Pin 17)	PTA7	GPIO2	EZPORT
	TWRPI GPIO3 (J7 Pin 18)	PTA1	GPIO3	FTM1_CH0, IIC1_SCL
TWRPI GPIO4 (J7 Pin 19)	PTA2	GPIO4	FTM1_CH1, IIC1_SDA	
LEDs	Yellow LED (D5)	PTB6	LED1	
	Orange LED (D4)	PTC0	LED2	

5 Tower Elevator Connections

The TWR-MCF51JG features two expansion card-edge connectors that interface to the Primary and Secondary Elevator boards in a Tower system. The Primary Connector (comprised of sides A and B) is utilized by the TWR-MCF51JG while the Secondary Connector (comprised of sides C and D) only makes connections to the GND pins. Table 7 provides the pinout for the Primary Connector. (NC = No Connection)

Table 7. TWR-MCF51JG Primary Connector Pinout

Pin #	Side B		Pin #	Side A	
	Name	Usage		Name	Usage
1	5V	P5V_ELEV	1	5V	P5V_ELEV
2	GND	GND	2	GND	GND
3	3.3V	P3V3	3	3.3V	P3V3
4	ELE_PS_SENSE_1	ELE_PS_SENSE	4	3.3V	P3V3
5	GND	GND	5	GND	GND
6	GND	GND	6	GND	GND
7	SDHC_CLK / SPI1_CLK	PTC3	7	IIC0_SCL	PTB2
8	NC		8	IIC0_SDA	PTB3
9	SDHC_D3 / SPI1_CS0_b	PTC7	9	GPIO9/UART1_CTS	PTC5
10	SDHC_CMD / SPI1_MOSI	SPI1_MOSI	10	NC	
11	SDHC_D0 / SPI1_MISO	SPI1_MISO	11	NC	
12	NC		12	NC	
13	NC		13	NC	
14	NC		14	NC	
15	NC		15	NC	
16	NC		16	NC	
17	NC		17	NC	
18	NC		18	NC	
19	NC		19	NC	
20	NC		20	NC	
21	GPIO1/UART1_RTS	PTC4	21	I2S0_MCLK	PTD3
22	NC		22	I2S0_DOUT_SCK	PTD2
23	NC		23	I2S0_DOUT_WS	PTD0
24	NC		24	I2S0_DIN0	PTA5
25	NC		25	I2S0_DOUT0	PTD1
26	GND	GND	26	GND	GND
27	NC		27	NC	
28	NC		28	NC	
29	NC		29	NC	
30	NC		30	NC	
31	GND	GND	31	GND	GND
32	NC		32	NC	
33	NC		33	NC	

Pin #	Side B		Pin #	Side A	
	Name	Usage		Name	Usage
34	NC		34	NC	
35	GPIO4	PTB6	35	NC	
36	3.3V	P3V3	36	3.3V	P3V3
37	NC		37	NC	
38	NC		38	PWM2	PTA3
39	PWM5	PTC1	39	PWM1	PTA2
40	PWM4	PTA6	40	PWM0	PTA1
41	NC		41	UART0_RX	PTB5
42	NC		42	UART0_TX	PTB4
43	NC		43	UART1_RX	SCI1_RX
44	SPI0_MISO	PTD2	44	UART1_TX	SCI1_TX
45	SPI0_MOSI	PTD1	45	NC	
46	SPI0_CS0_b	PTD0	46	NC	
47	NC		47	NC	
48	SPI0_CLK	PTD3	48	NC	
49	GND	GND	49	NC	
50	I2C1_SCL	PTA1	50	NC	
51	I2C1_SDA	PTA2	51	NC	
52	GPIO5	PTC0	52	NC	
53	NC		53	NC	
54	NC		54	USB0_DN	JG_ELEV_USB0_DN
55	IRQ_H	PTB1	55	USB0_DP	JG_ELEV_USB0_DP
56	IRQ_G	PTB1	56	NC	
57	NC		57	USB0_VBUS	USB0_VBUS
58	NC		58	NC	
59	NC		59	NC	
60	NC		60	NC	
61	IRQ_B	PTC1	61	NC	
62	IRQ_A	PTC1	62	RSTIN_B	JG_RESET_B
63	NC		63	RSTOUT_B	JG_RESET_B
64	NC		64	CLKOUT0	PTA3
65	GND	GND	65	GND	GND
66	NC		66	NC	
67	NC		67	NC	
68	NC		68	NC	
69	NC		69	NC	
70	NC		70	NC	
71	NC		71	NC	
72	NC		72	NC	
73	NC		73	NC	
74	NC		74	NC	
75	NC		75	NC	
75	NC		75	NC	
77	NC		77	NC	

Pin #	Side B		Pin #	Side A	
	Name	Usage		Name	Usage
78	NC		78	NC	
79	NC		79	NC	
80	NC		80	NC	
81	GND	GND	81	GND	GND
82	3.3V	P3V3	82	3.3V	P3V3