

PLEASE CHECK WWW.MOLEX.COM FOR LATEST PART INFORMATION

Part Number: **0532900580**
Status: **Active**
Description: 2.00mm Pitch Board-to-Board Header, Vertical, Single Row, 0.50mm Square Pin, with Friction Lock, 5 Circuits, with Kinked PC Tails

Documents:

[3D Model](#) [Packaging Specification 532909200-201 \(PDF\)](#)
[Drawing \(PDF\)](#) [RoHS Certificate of Compliance \(PDF\)](#)
[Product Specification PS-52418-003-001 \(PDF\)](#)

General

Product Family	PCB Headers
Series	53290
Application	Board-to-Board, Signal
Product Name	N/A
UPC	822348477258

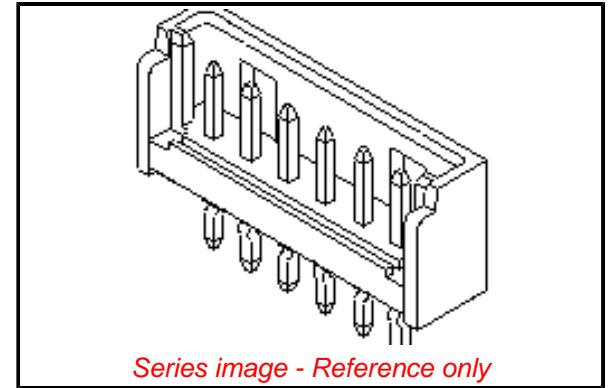
Physical

Breakaway	No
Circuits (Loaded)	5
Circuits (maximum)	5
Color - Resin	Natural
Durability (mating cycles max)	30
First Mate / Last Break	No
Glow-Wire Compliant	No
Guide to Mating Part	No
Keying to Mating Part	None
Lock to Mating Part	Yes
Mated Height	6.00mm
Material - Metal	Brass
Material - Plating Mating	Tin
Material - Plating Termination	Tin
Material - Resin	Polyester
Net Weight	264.800/mg
Number of Rows	1
Orientation	Vertical
PC Tail Length	3.20mm
PCB Locator	No
PCB Retention	Yes
PCB Thickness - Recommended	1.60mm
Packaging Type	Tray
Pitch - Mating Interface	2.00mm
Plating min - Mating	1.016µm
Plating min - Termination	1.016µm
Polarized to Mating Part	Yes
Polarized to PCB	No
Shrouded	Partial
Stackable	No
Surface Mount Compatible (SMC)	No
Temperature Range - Operating	-40°C to +105°C
Termination Interface: Style	Through Hole

Electrical

Current - Maximum per Contact	1.5A
Voltage - Maximum	125V

Material Info



EU ELV

Not Relevant

EU RoHS

Compliant

REACH SVHC

Not Contained Per
-ED/01/2017 (12
January 2017)

Halogen-Free

Status

Not Low-Halogen

Need more information on product environmental compliance?

Email productcompliance@molex.com
Please visit the [Contact Us](#) section for any non-product compliance questions.

China ROHS	Green Image
ELV	Not Relevant
RoHS Phthalates	Not Contained

Search Parts in this Series

[53290](#) Series

Mates With

[52418](#) PCB Receptacle

Reference - Drawing Numbers

Packaging Specification

Product Specification

Sales Drawing

532909200-201

PS-52418-003-001

SD-53290-004

This document was generated on 04/13/2017

PLEASE CHECK WWW.MOLEX.COM FOR LATEST PART INFORMATION