

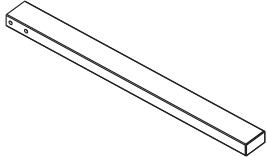
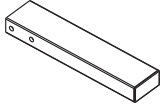
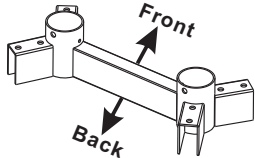
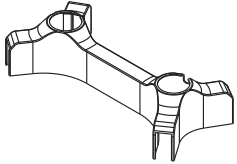
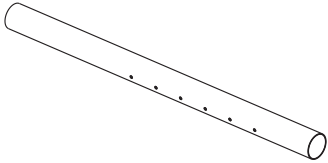
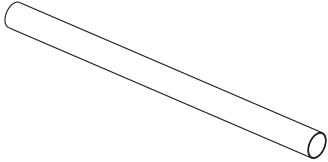

Assembly Instructions for TV Trolley Stand

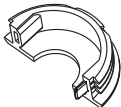
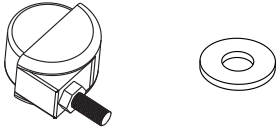
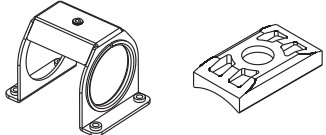
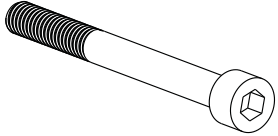
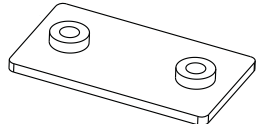
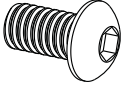

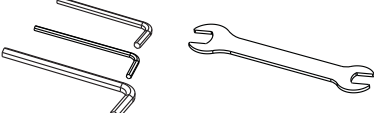
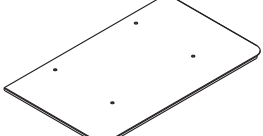
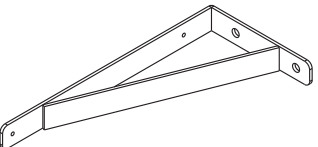

Thanks for choosing our stand. This stand was designed for mounting flat panel televisions weighing up to 60 kg. The height of TV can be easily adjusted. The integrated wheels provide ease of movement.

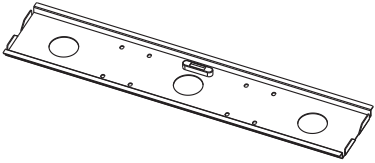
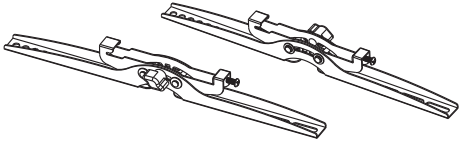



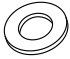
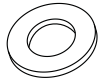
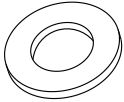
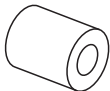

Safety Warning: If you do not understand these directions, or have any doubts about the safety of the installation, please call a qualified contractor. Check carefully to make sure there are no missing or defective parts. Never use defective parts. Improper installation may cause damage or serious injury. Do not use this product for any purpose that is not explicitly specified in this manual. We can not be liable for damage or injury caused by incorrect mounting, incorrect assembly, or incorrect use.

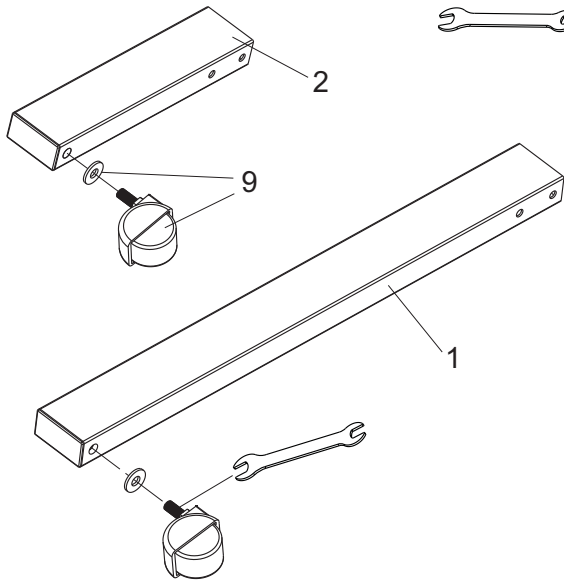
Required Tools: Phillips screw driver.

Supplied Parts

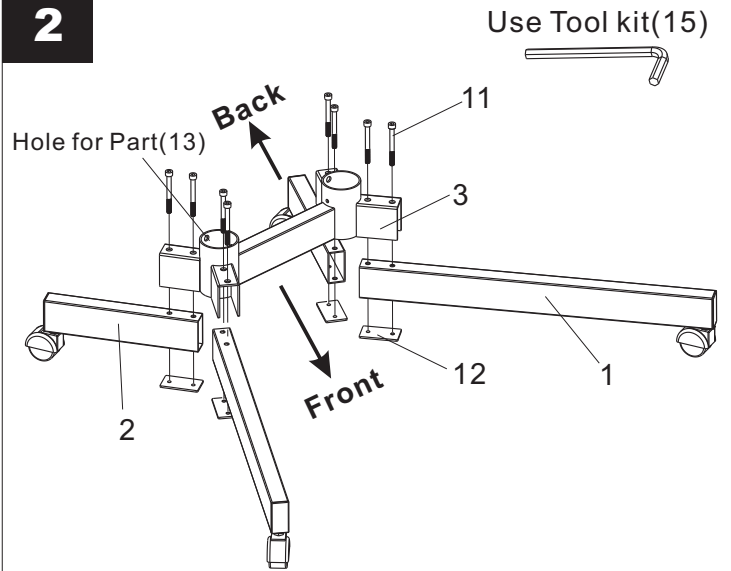
No.	Picture	Description	Quantity
1		Long square tube	2
2		Short square tube	2
3		Tube connector	1
4		Tube connector cover	1
5		Pole with shelf add-on holes	2
6		Pole without holes	2
7		Pole connector	2

No.	Picture	Description	Quantity
8		Pole cover	4
9		Wheel & Washer	4
10		Square plate connector & Rubber Pad	2
11		M6x60 allen head bolt	8
12		M6 socket plate	4
13		M6x10 allen head bolt	14
14		M5x6 Grub screw	2
15		Tool kit	1
16		Shelf	1
17		Shelf support	2
18		M4x6 countersink bolt	4

No.	Picture	Description	Quantity
21		Square plate	1
22		TV arm set	1
23		M4x12 bolt M4x30 bolt	4
24		M6x20 bolt M6x35 bolt	4
25		M8x20 bolt M8x35 bolt	4
26		M4 washer	4
27		M6 washer	12
28		M8 washer	4
29		M4 spacer	4
30		M6/M8 spacer(5mm)	8

1

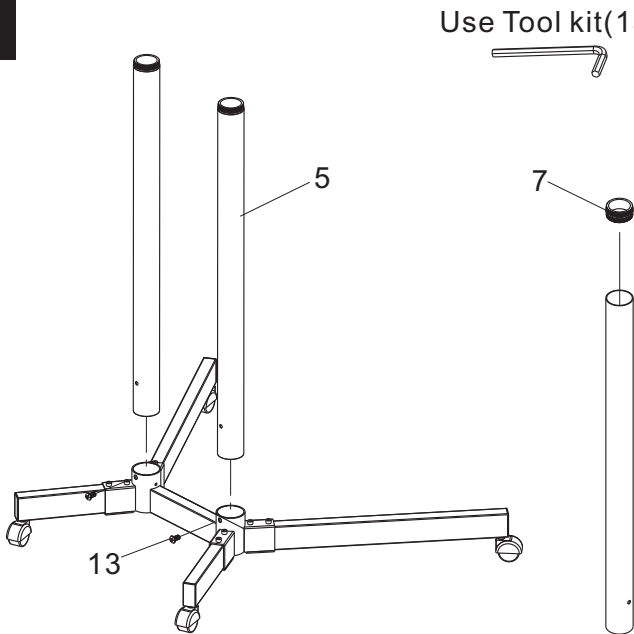
Use Tool kit(15)

**2**

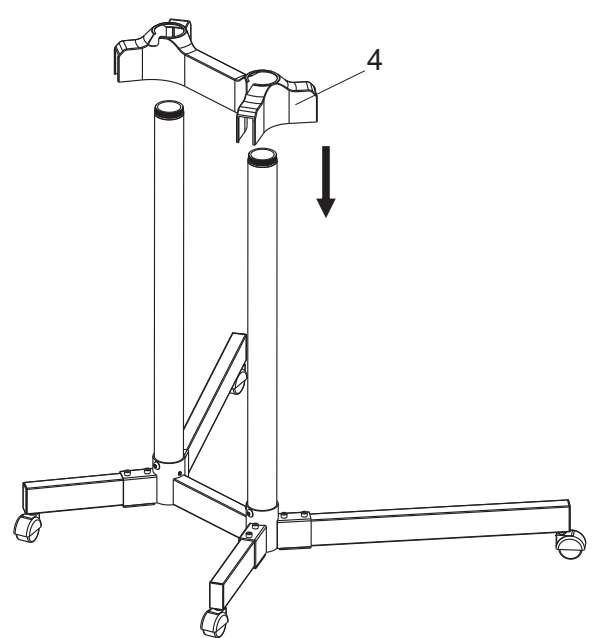
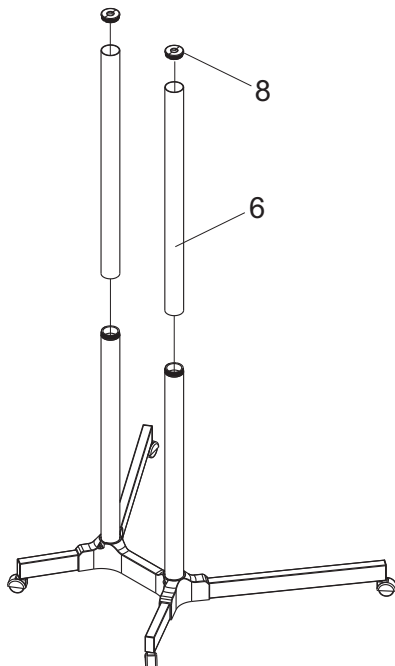
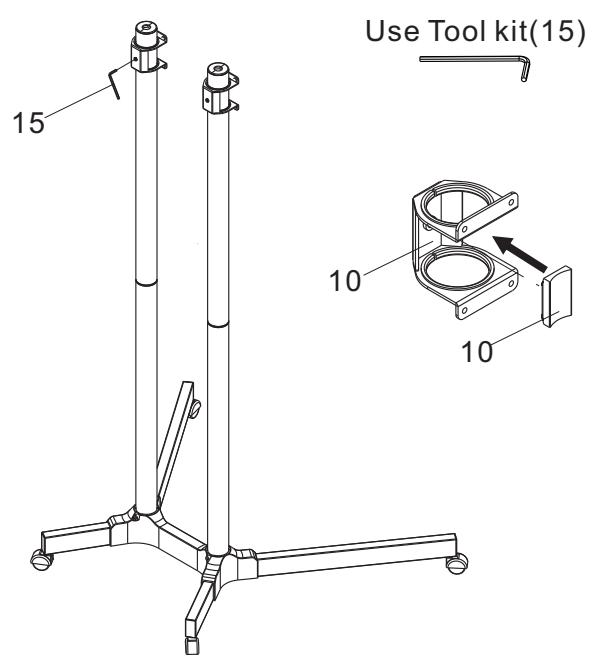
Use Tool kit(15)



Important: Short square tube (2) should be on the same side as the screw hole for Part (13).

3

Use Tool kit(15)

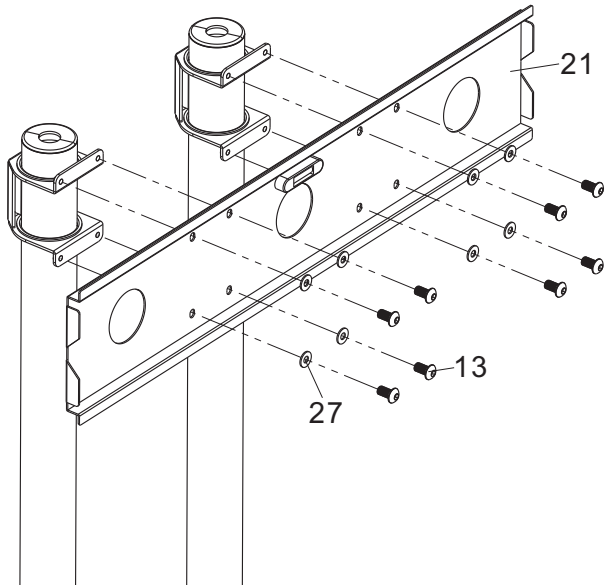
**4****5****6**

Use Tool kit(15)



7

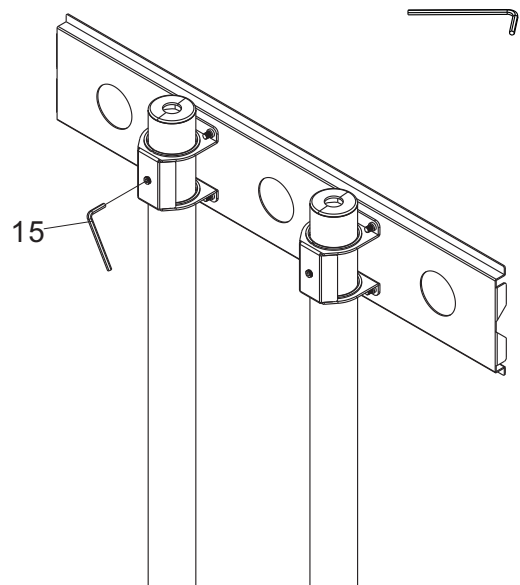
Use Tool kit(15)



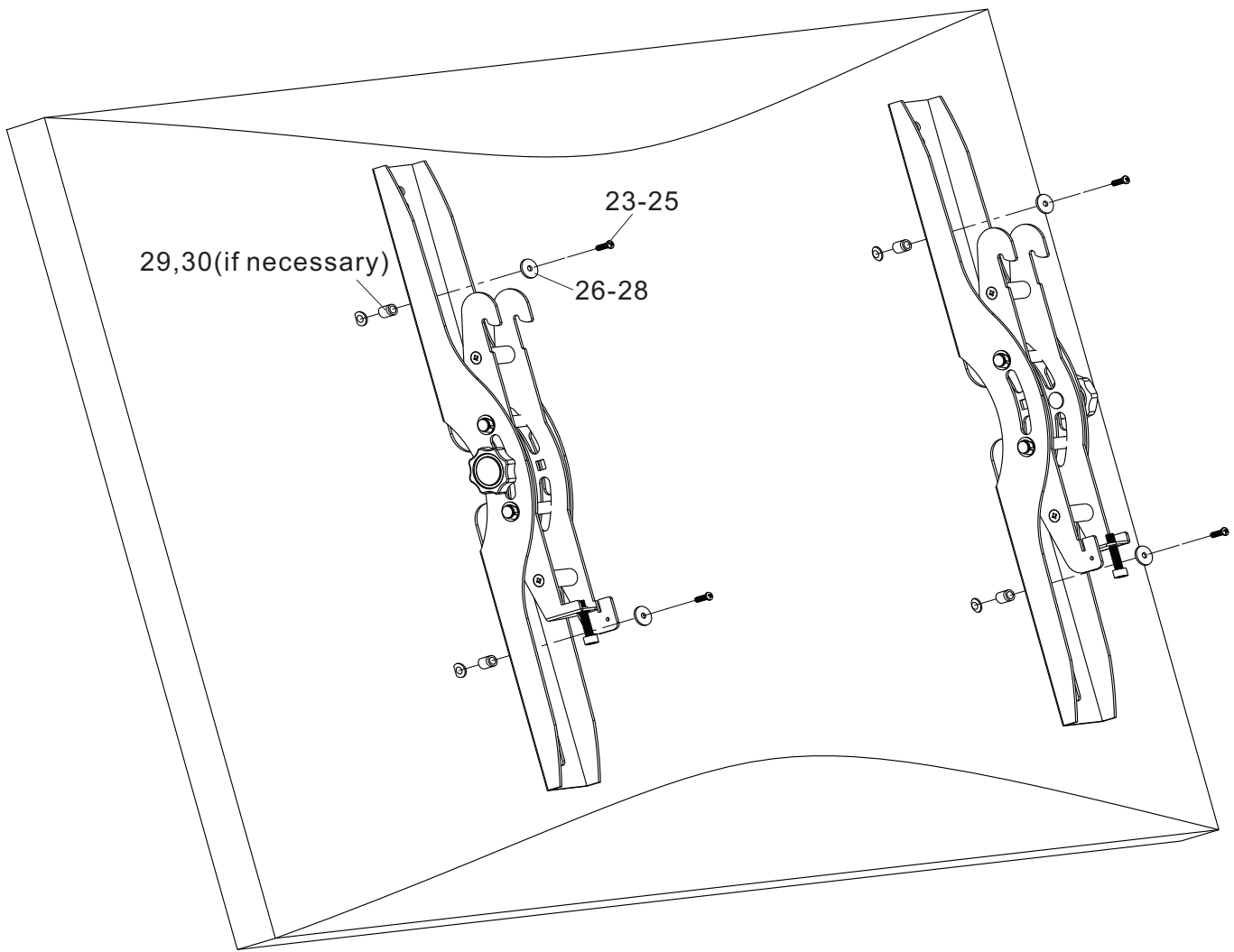
8

Level adjustment

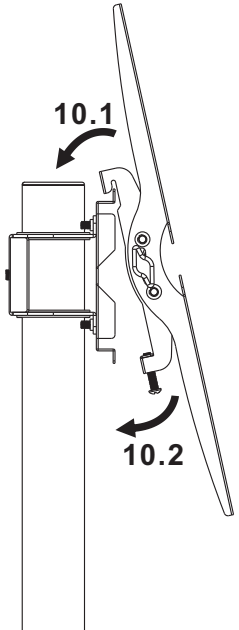
Use Tool kit(15)



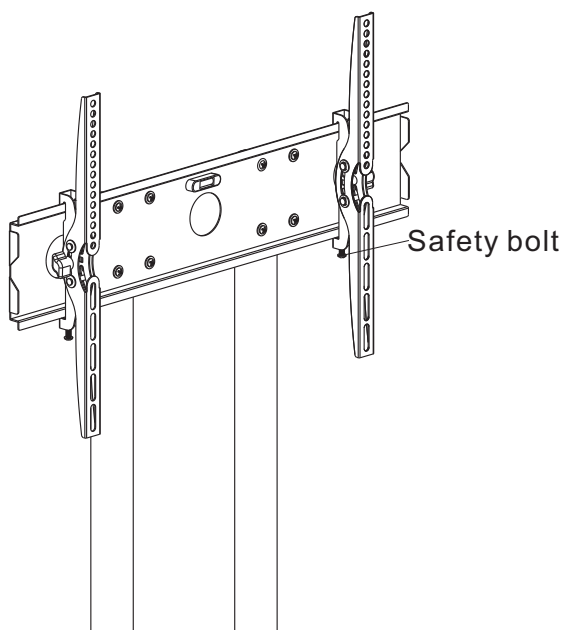
9



10

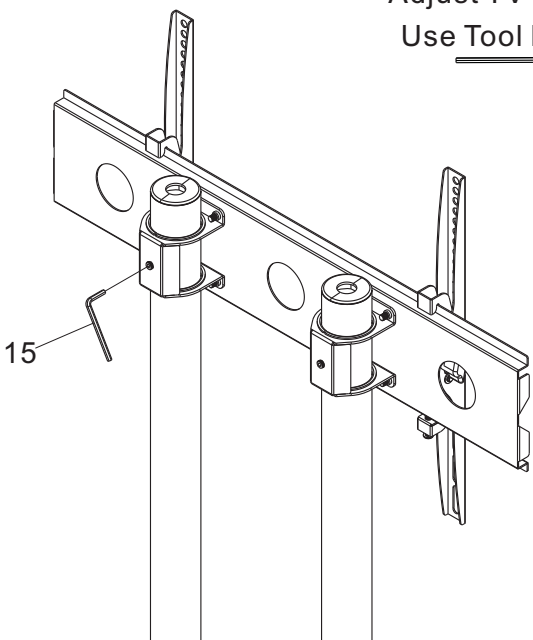


11



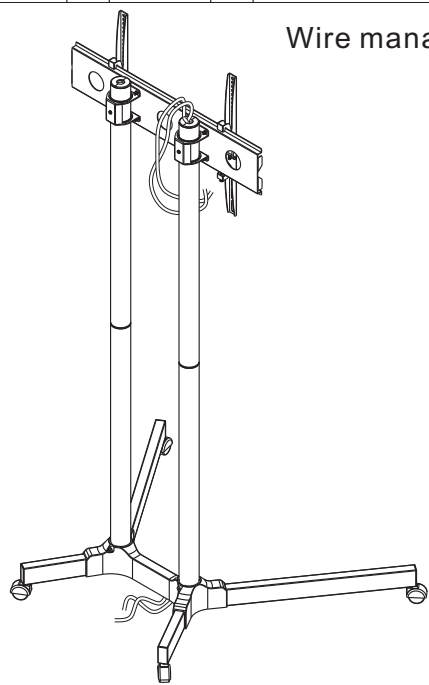
12

Adjust TV height
Use Tool kit(15)



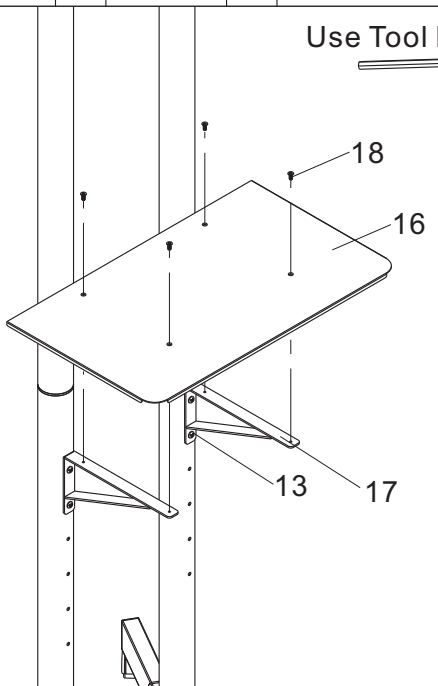
13

Wire management



14

Use Tool kit(15)



15

Fasten grub screw
Use Tool kit(15)

