



Is Now Part of



**ON Semiconductor®**

To learn more about ON Semiconductor, please visit our website at  
[www.onsemi.com](http://www.onsemi.com)

ON Semiconductor and the ON Semiconductor logo are trademarks of Semiconductor Components Industries, LLC dba ON Semiconductor or its subsidiaries in the United States and/or other countries. ON Semiconductor owns the rights to a number of patents, trademarks, copyrights, trade secrets, and other intellectual property. A listing of ON Semiconductor's product/patent coverage may be accessed at [www.onsemi.com/site/pdf/Patent-Marking.pdf](http://www.onsemi.com/site/pdf/Patent-Marking.pdf). ON Semiconductor reserves the right to make changes without further notice to any products herein. ON Semiconductor makes no warranty, representation or guarantee regarding the suitability of its products for any particular purpose, nor does ON Semiconductor assume any liability arising out of the application or use of any product or circuit, and specifically disclaims any and all liability, including without limitation special, consequential or incidental damages. Buyer is responsible for its products and applications using ON Semiconductor products, including compliance with all laws, regulations and safety requirements or standards, regardless of any support or applications information provided by ON Semiconductor. "Typical" parameters which may be provided in ON Semiconductor data sheets and/or specifications can and do vary in different applications and actual performance may vary over time. All operating parameters, including "Typicals" must be validated for each customer application by customer's technical experts. ON Semiconductor does not convey any license under its patent rights nor the rights of others. ON Semiconductor products are not designed, intended, or authorized for use as a critical component in life support systems or any FDA Class 3 medical devices or medical devices with a same or similar classification in a foreign jurisdiction or any devices intended for implantation in the human body. Should Buyer purchase or use ON Semiconductor products for any such unintended or unauthorized application, Buyer shall indemnify and hold ON Semiconductor and its officers, employees, subsidiaries, affiliates, and distributors harmless against all claims, costs, damages, and expenses, and reasonable attorney fees arising out of, directly or indirectly, any claim of personal injury or death associated with such unintended or unauthorized use, even if such claim alleges that ON Semiconductor was negligent regarding the design or manufacture of the part. ON Semiconductor is an Equal Opportunity/Affirmative Action Employer. This literature is subject to all applicable copyright laws and is not for resale in any manner.



# FDMC8884

## N-Channel PowerTrench<sup>®</sup> MOSFET

30 V, 15 A, 19 mΩ

### Features

- Max  $r_{DS(on)}$  = 19 mΩ at  $V_{GS} = 10\text{ V}$ ,  $I_D = 9.0\text{ A}$
- Max  $r_{DS(on)}$  = 30 mΩ at  $V_{GS} = 4.5\text{ V}$ ,  $I_D = 7.2\text{ A}$
- High performance technology for extremely low  $r_{DS(on)}$
- Termination is Lead-free and RoHS Compliant

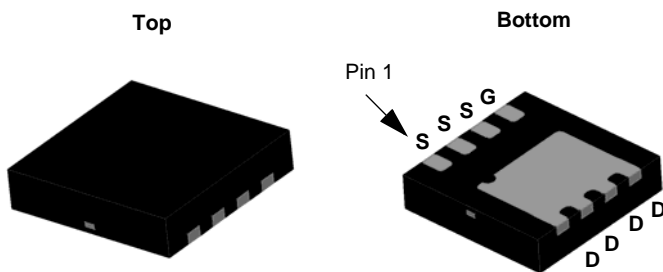


### General Description

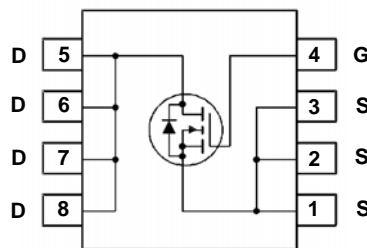
This N-Channel MOSFET is produced using Fairchild Semiconductor's advanced PowerTrench<sup>®</sup> process that has been especially tailored to minimize the on-state resistance. This device is well suited for Power Management and load switching applications common in Notebook Computers and Portable Battery Packs.

### Application

- High side in DC - DC Buck Converters
- Notebook battery power management
- Load switch in Notebook



MLP 3.3x3.3



### MOSFET Maximum Ratings $T_A = 25\text{ °C}$ unless otherwise noted

| Symbol         | Parameter  | Rated                          | Units              |
|----------------|--|--------------------------------|--------------------|
| $V_{DS}$       | Drain to Source Voltage                          | 30                             | V                  |
| $V_{GS}$       | Gate to Source Voltage                           | $\pm 20$                       | V                  |
| $I_D$          | Drain Current -Continuous                        | $T_C = 25\text{ °C}$           | 15                 |
|                | -Continuous                                      | $T_A = 25\text{ °C}$ (Note 1a) | 9.0                |
|                | -Pulsed  |                                | 40                 |
| $E_{AS}$       | Single Pulse Avalanche Energy                    | (Note 3)                       | 24                 |
| $P_D$          | Power Dissipation                                | $T_C = 25\text{ °C}$           | 18                 |
|                | Power Dissipation                                | $T_A = 25\text{ °C}$ (Note 1a) | 2.3                |
| $T_J, T_{STG}$ | Operating and Storage Junction Temperature Range | -55 to +150                    | $^{\circ}\text{C}$ |

### Thermal Characteristics

|                 |   |     |                      |
|-----------------|---|-----|----------------------|
| $R_{\theta JC}$ | Thermal Resistance, Junction to Case    | 6.6 | $^{\circ}\text{C/W}$ |
| $R_{\theta JA}$ | Thermal Resistance, Junction to Ambient | 53  |                      |

### Package Marking and Ordering Information

| Device Marking | Device   | Package     | Reel Size | Tape Width | Quantity   |
|----------------|----------|-------------|-----------|------------|------------|
| FDMC8884       | FDMC8884 | MLP 3.3x3.3 | 13 "      | 12 mm      | 3000 units |

**Electrical Characteristics**  $T_J = 25\text{ }^\circ\text{C}$  unless otherwise noted

| Symbol | Parameter | Test Conditions | Min | Typ | Max | Units |
|--------|-----------|-----------------|-----|-----|-----|-------|
|--------|-----------|-----------------|-----|-----|-----|-------|

**Off Characteristics**

|                                      |   |  |    |    |           |                      |
|--------------------------------------|---|--|----|----|-----------|----------------------|
| $BV_{DSS}$                           | Drain to Source Breakdown Voltage         | $I_D = 250\text{ }\mu\text{A}, V_{GS} = 0\text{ V}$                              | 30 |    |           | V                    |
| $\frac{\Delta BV_{DSS}}{\Delta T_J}$ | Breakdown Voltage Temperature Coefficient | $I_D = 250\text{ }\mu\text{A}$ , referenced to $25\text{ }^\circ\text{C}$        |    | 22 |           | mV/ $^\circ\text{C}$ |
| $I_{DSS}$                            | Zero Gate Voltage Drain Current           | $V_{DS} = 24\text{ V}, V_{GS} = 0\text{ V}$<br>$T_J = 125\text{ }^\circ\text{C}$ |    |    | 1<br>250  | $\mu\text{A}$        |
| $I_{GSS}$                            | Gate to Source Leakage Current            | $V_{GS} = \pm 20\text{ V}, V_{DS} = 0\text{ V}$                                  |    |    | $\pm 100$ | nA                   |

**On Characteristics**

|  |  |   |     |     |     |                      |
|--|--|---|-----|-----|-----|----------------------|
| $V_{GS(th)}$                           | Gate to Source Threshold Voltage                         | $V_{GS} = V_{DS}, I_D = 250\text{ }\mu\text{A}$                             | 1.4 | 1.9 | 2.5 | V                    |
| $\frac{\Delta V_{GS(th)}}{\Delta T_J}$ | Gate to Source Threshold Voltage Temperature Coefficient | $I_D = 250\text{ }\mu\text{A}$ , referenced to $25\text{ }^\circ\text{C}$   |     | -6  |     | mV/ $^\circ\text{C}$ |
| $r_{DS(on)}$                           | Static Drain to Source On Resistance                     | $V_{GS} = 10\text{ V}, I_D = 9.0\text{ A}$                                  |     | 16  | 19  | m $\Omega$           |
|  |  | $V_{GS} = 4.5\text{ V}, I_D = 7.2\text{ A}$                                 |     | 22  | 30  |                      |
|  |  | $V_{GS} = 10\text{ V}, I_D = 9.0\text{ A}, T_J = 125\text{ }^\circ\text{C}$ |     | 22  | 30  |                      |
| $g_{FS}$                               | Forward Transconductance                                 | $V_{DD} = 5\text{ V}, I_D = 9.0\text{ A}$                                   |     | 24  |     | S                    |

**Dynamic Characteristics**

|           |                              |  |  |     |     |          |
|-----------|------------------------------|--|--|-----|-----|----------|
| $C_{iss}$ | Input Capacitance            | $V_{DS} = 15\text{ V}, V_{GS} = 0\text{ V},$<br>$f = 1\text{ MHz}$ |  | 513 | 685 | pF       |
| $C_{oss}$ | Output Capacitance           |  |  | 110 | 150 | pF       |
| $C_{rss}$ | Reverse Transfer Capacitance |  |  | 76  | 115 | pF       |
| $R_g$     | Gate Resistance              |  |  | 1.4 | 2.1 | $\Omega$ |

**Switching Characteristics**

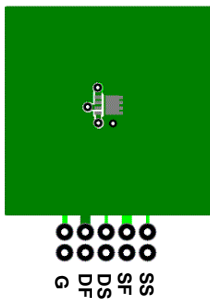
|              |                               |  |   |     |     |    |
|--------------|-------------------------------|--|---|-----|-----|----|
| $t_{d(on)}$  | Turn-On Delay Time            | $V_{DD} = 15\text{ V}, I_D = 9.0\text{ A},$<br>$V_{GS} = 10\text{ V}, R_{GEN} = 6\text{ }\Omega$ |   | 6   | 12  | ns |
| $t_r$        | Rise Time                     |  |   | 2   | 10  | ns |
| $t_{d(off)}$ | Turn-Off Delay Time           |  |   | 15  | 27  | ns |
| $t_f$        | Fall Time                     |  |   | 2   | 10  | ns |
| $Q_{g(TOT)}$ | Total Gate Charge             | $V_{GS} = 0\text{ V to } 10\text{ V}$  | $V_{DD} = 15\text{ V},$<br>$I_D = 9.0\text{ A}$ | 10  | 14  | nC |
|              | Total Gate Charge             | $V_{GS} = 0\text{ V to } 4.5\text{ V}$   |   | 5.0 | 7.0 | nC |
| $Q_{gs}$     | Total Gate Charge             |  |   | 1.8 |     | nC |
| $Q_{gd}$     | Gate to Drain "Miller" Charge |  |   | 2.2 |     | nC |

**Drain-Source Diode Characteristics**

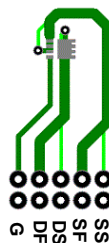
|          |                                       |  |  |      |     |    |
|----------|---------------------------------------|--|--|------|-----|----|
| $V_{SD}$ | Source to Drain Diode Forward Voltage | $V_{GS} = 0\text{ V}, I_S = 9.0\text{ A}$ (Note 2)     |  | 0.86 | 1.2 | V  |
|          |                                       | $V_{GS} = 0\text{ V}, I_S = 1.6\text{ A}$ (Note 2)     |  | 0.76 | 1.2 |    |
| $t_{rr}$ | Reverse Recovery Time                 | $I_F = 9.0\text{ A}, di/dt = 100\text{ A}/\mu\text{s}$ |  | 13   | 18  | ns |
| $Q_{rr}$ | Reverse Recovery Charge               |  |  | 3    | 10  | nC |

NOTES:

1.  $R_{\theta JA}$  is determined with the device mounted on a 1 in<sup>2</sup> pad 2 oz copper pad on a 1.5 x 1.5 in. board of FR-4 material.  $R_{\theta JC}$  is guaranteed by design while  $R_{\theta CA}$  is determined by the user's board design.



a. 53  $^\circ\text{C}/\text{W}$  when mounted on a 1 in<sup>2</sup> pad of 2 oz copper

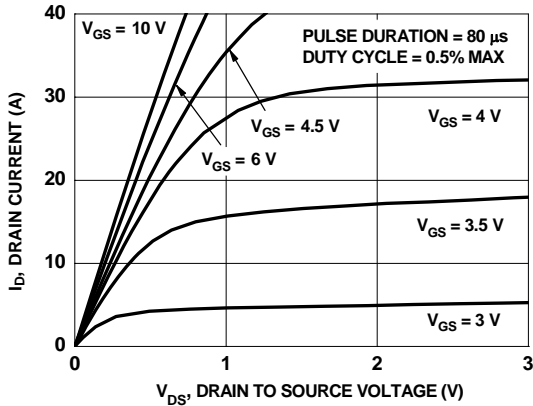


b. 125  $^\circ\text{C}/\text{W}$  when mounted on a minimum pad of 2 oz copper

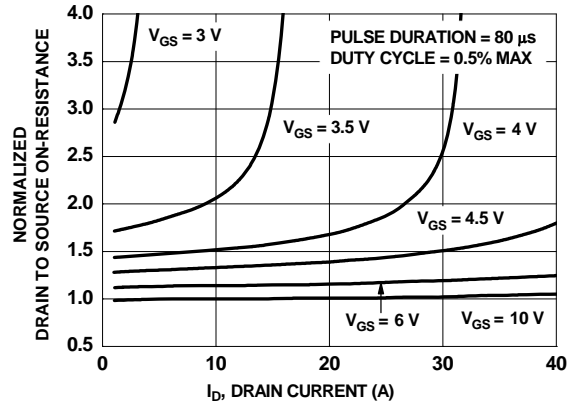
2. Pulse Test: Pulse Width < 300  $\mu\text{s}$ , Duty cycle < 2.0 %.

3.  $E_{AS}$  of 24 mJ is based on starting  $T_J = 25\text{ }^\circ\text{C}$ ,  $L = 1\text{ mH}$ ,  $I_{AS} = 7\text{ A}$ ,  $V_{DD} = 30\text{ V}$ ,  $V_{GS} = 10\text{ V}$ . 100% test at  $L = 3\text{ mH}$ ,  $I_{AS} = 4\text{ A}$ .

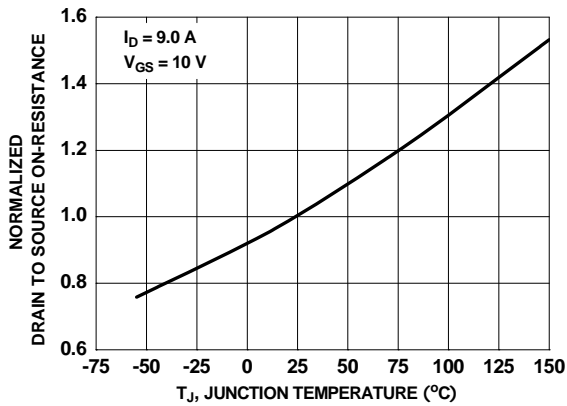
**Typical Characteristics**  $T_J = 25\text{ }^\circ\text{C}$  unless otherwise noted



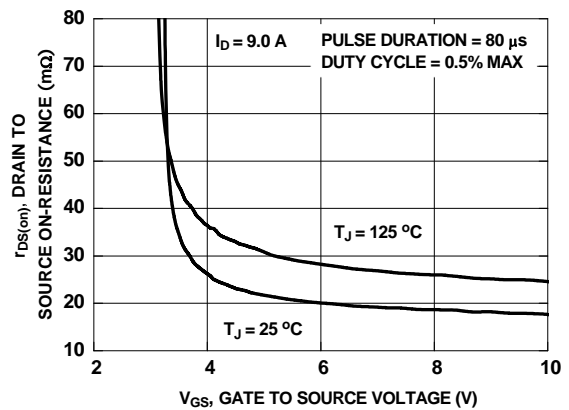
**Figure 1. On-Region Characteristics**



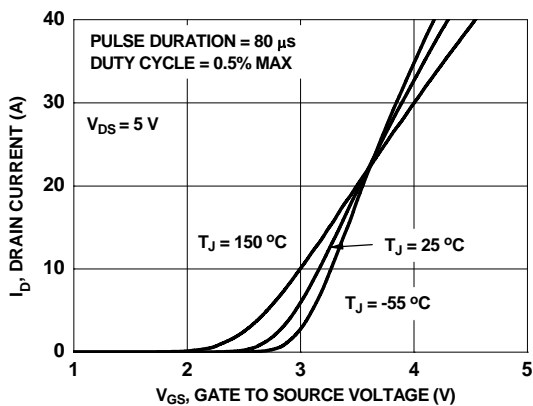
**Figure 2. Normalized On-Resistance vs Drain Current and Gate Voltage**



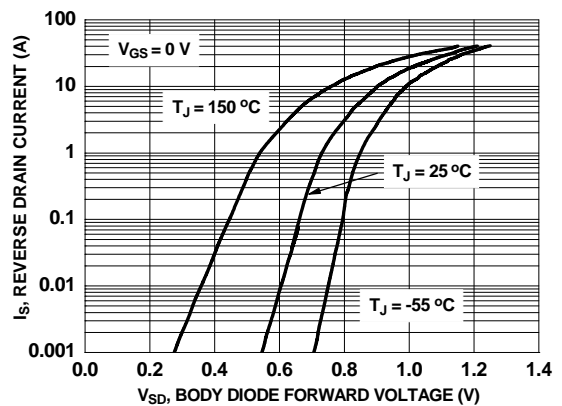
**Figure 3. Normalized On-Resistance vs Junction Temperature**



**Figure 4. On-Resistance vs Gate to Source Voltage**

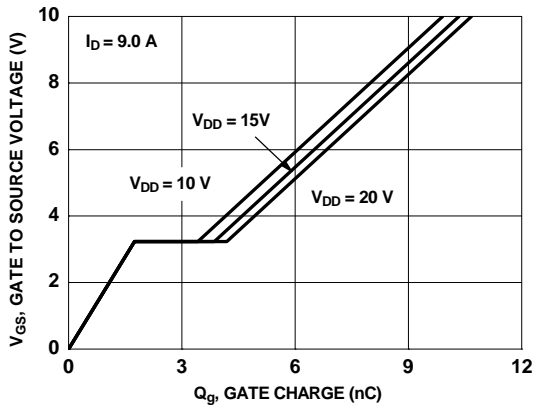


**Figure 5. Transfer Characteristics**

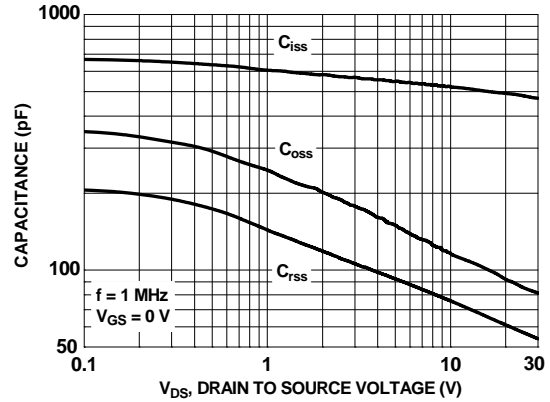


**Figure 6. Source to Drain Diode Forward Voltage vs Source Current**

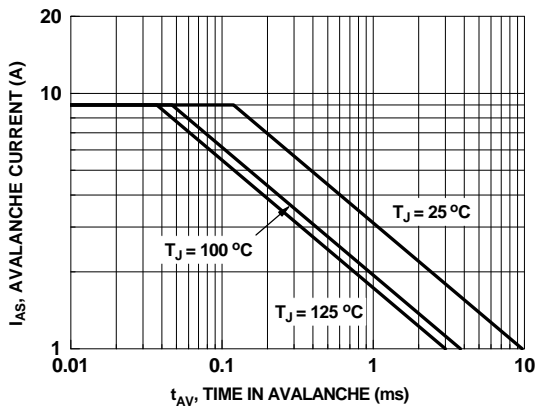
**Typical Characteristics**  $T_J = 25^\circ\text{C}$  unless otherwise noted



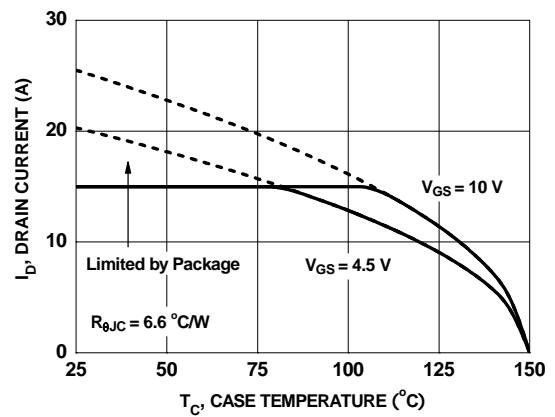
**Figure 7. Gate Charge Characteristics**



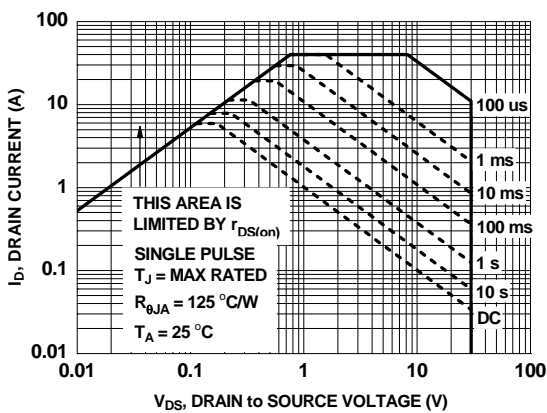
**Figure 8. Capacitance vs Drain to Source Voltage**



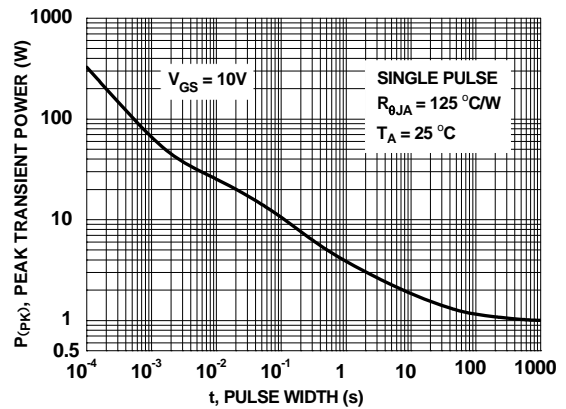
**Figure 9. Unclamped Inductive Switching Capability**



**Figure 10. Maximum Continuous Drain Current vs Case Temperature**

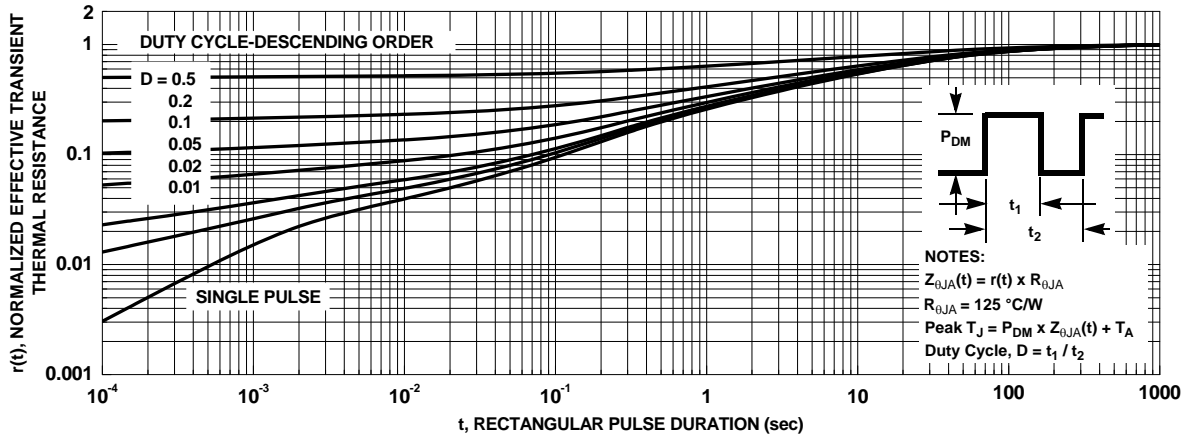


**Figure 11. Forward Bias Safe Operating Area**

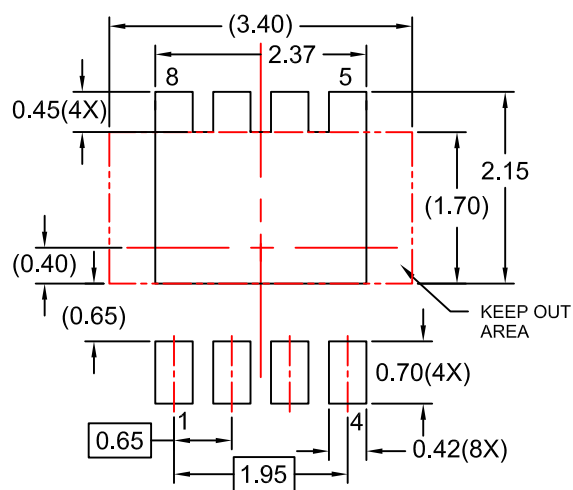
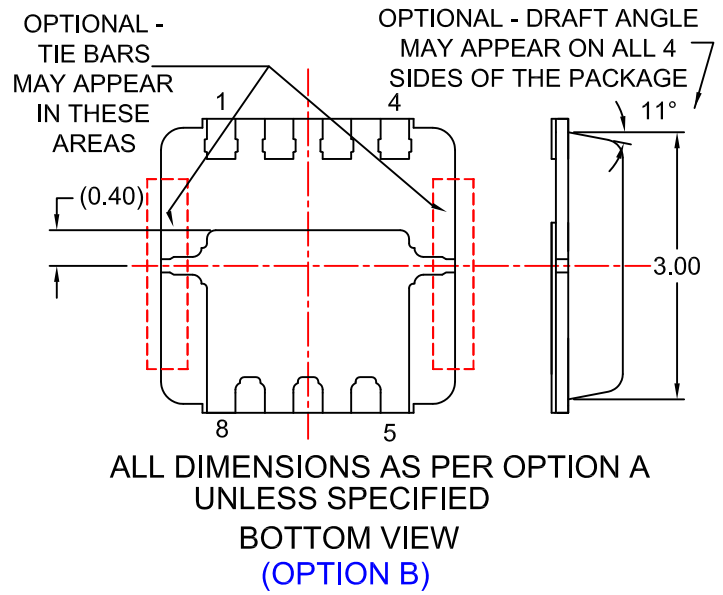
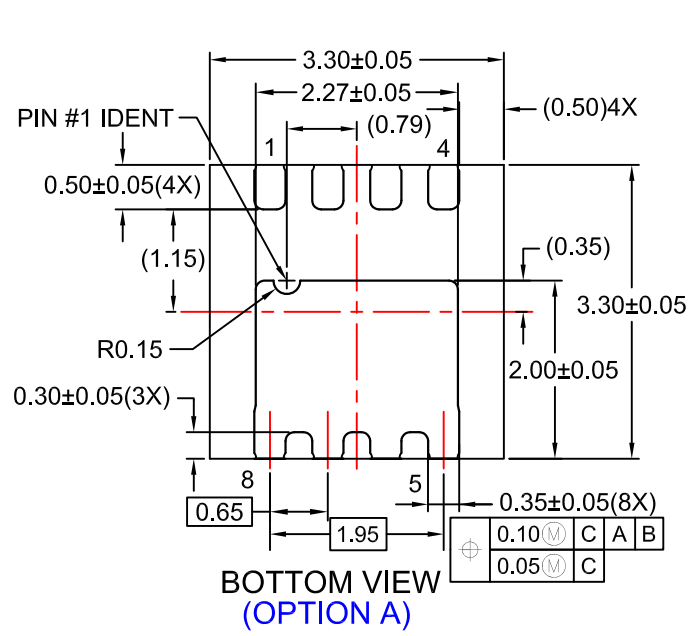
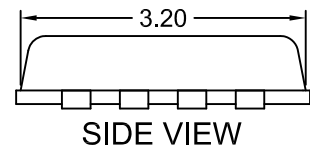
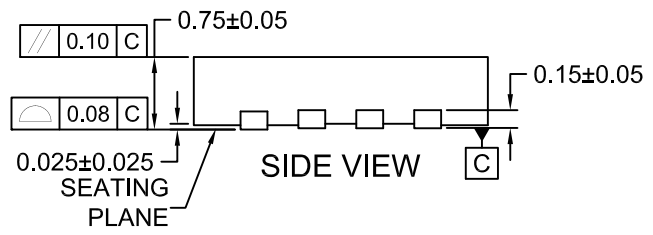
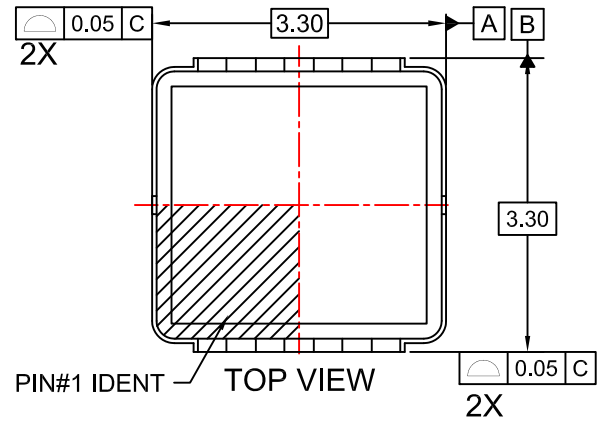
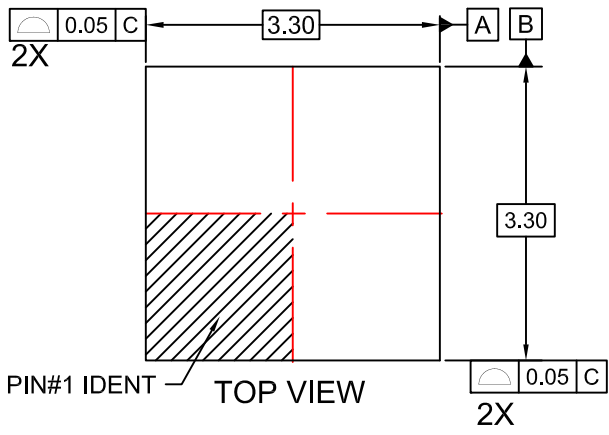


**Figure 12. Single Pulse Maximum Power Dissipation**

**Typical Characteristics**  $T_J = 25\text{ }^\circ\text{C}$  unless otherwise noted

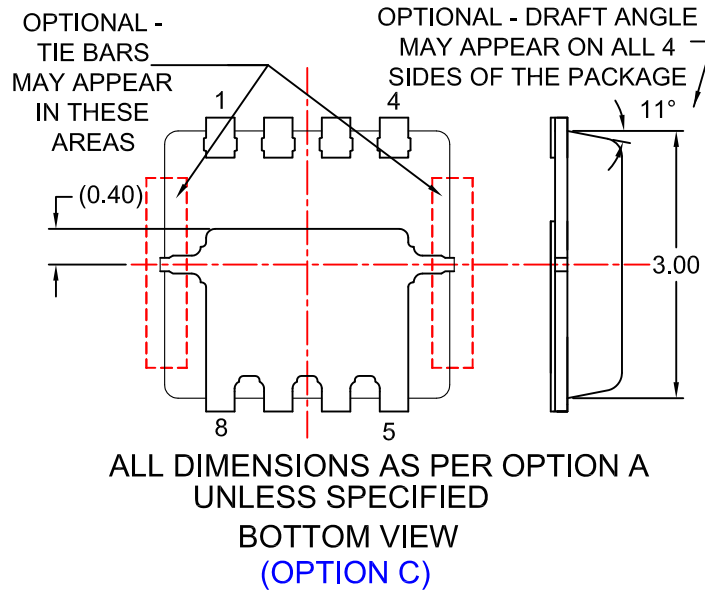
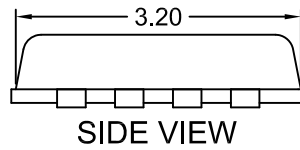
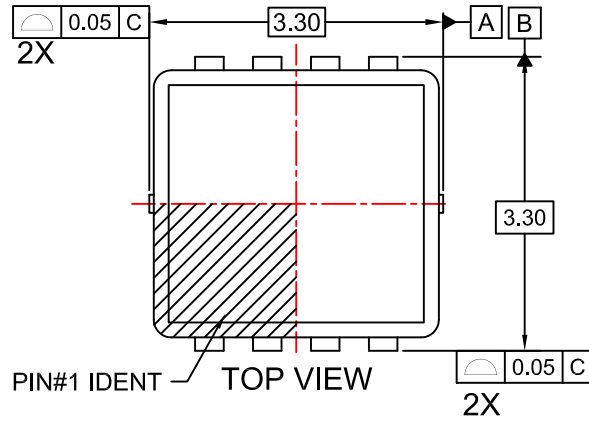


**Figure 13. Transient Thermal Response Curve**



RECOMMENDED LAND PATTERN



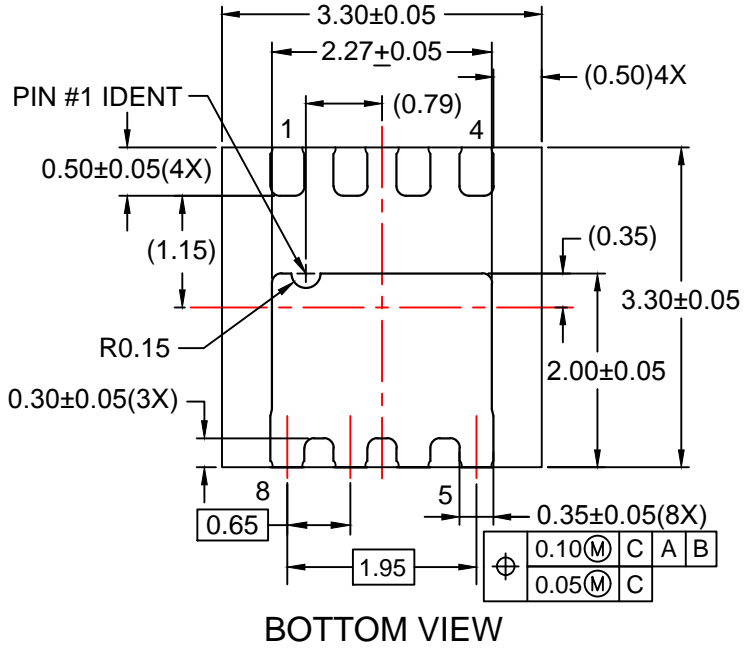
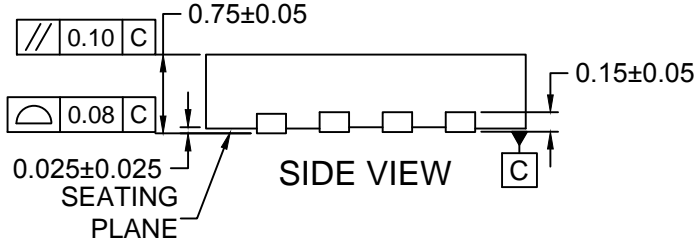
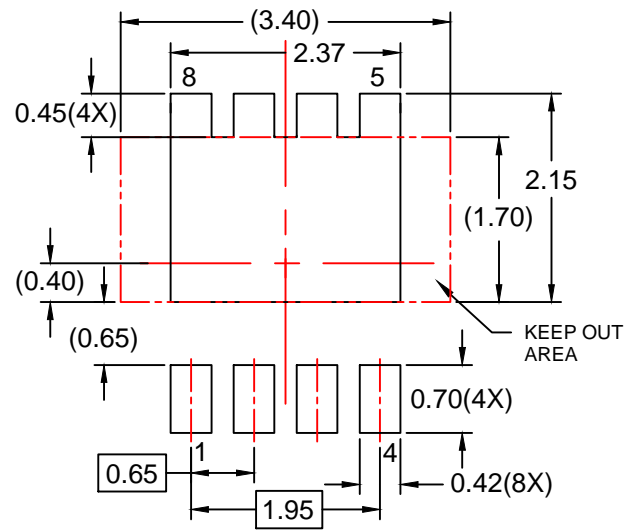
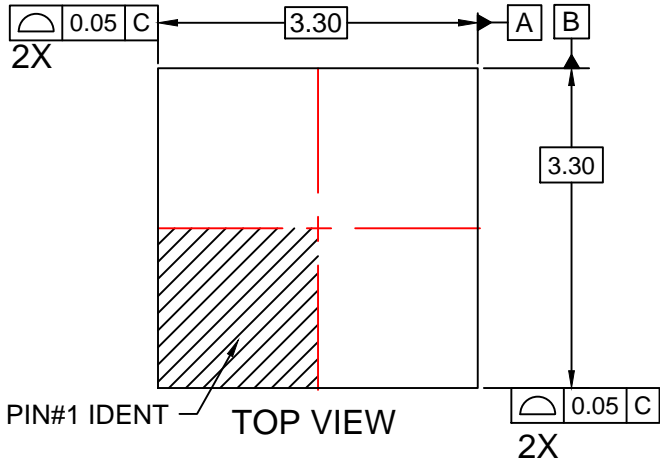


**NOTES:**

- A. PACKAGE DOES NOT FULLY CONFORM TO JEDEC REGISTRATION MO-240.
- B. DIMENSIONS ARE IN MILLIMETERS.
- C. DIMENSIONS AND TOLERANCES PER ASME Y14.5M, 2009.
- D. LAND PATTERN RECOMMENDATION IS EXISTING INDUSTRY LAND PATTERN
- E. DIMENSIONS DO NOT INCLUDE BURRS OR MOLD FLASH. BURRS OR MOLD FLASH SHALL NOT EXCEED 0.10MM.
- F. DRAWING FILENAME: MKT-MLP08Wrev3.
- G. OPTION A - SAWN MLP, OPTIONS B & C - PUNCH MLP.







NOTES:

- A. DOES NOT CONFORM TO JEDEC REGISTRATION MO-229
- B. DIMENSIONS ARE IN MILLIMETERS.
- C. DIMENSIONS AND TOLERANCES PER ASME Y14.5M, 2009.
- D. LAND PATTERN RECOMMENDATION IS EXISTING INDUSTRY LAND PATTERN.
- E. DRAWING FILENAME: MKT-MLP08Srev3.



ON Semiconductor and  are trademarks of Semiconductor Components Industries, LLC dba ON Semiconductor or its subsidiaries in the United States and/or other countries. ON Semiconductor owns the rights to a number of patents, trademarks, copyrights, trade secrets, and other intellectual property. A listing of ON Semiconductor's product/patent coverage may be accessed at [www.onsemi.com/site/pdf/Patent-Marking.pdf](http://www.onsemi.com/site/pdf/Patent-Marking.pdf). ON Semiconductor reserves the right to make changes without further notice to any products herein. ON Semiconductor makes no warranty, representation or guarantee regarding the suitability of its products for any particular purpose, nor does ON Semiconductor assume any liability arising out of the application or use of any product or circuit, and specifically disclaims any and all liability, including without limitation special, consequential or incidental damages. Buyer is responsible for its products and applications using ON Semiconductor products, including compliance with all laws, regulations and safety requirements or standards, regardless of any support or applications information provided by ON Semiconductor. "Typical" parameters which may be provided in ON Semiconductor data sheets and/or specifications can and do vary in different applications and actual performance may vary over time. All operating parameters, including "Typicals" must be validated for each customer application by customer's technical experts. ON Semiconductor does not convey any license under its patent rights nor the rights of others. ON Semiconductor products are not designed, intended, or authorized for use as a critical component in life support systems or any FDA Class 3 medical devices or medical devices with a same or similar classification in a foreign jurisdiction or any devices intended for implantation in the human body. Should Buyer purchase or use ON Semiconductor products for any such unintended or unauthorized application, Buyer shall indemnify and hold ON Semiconductor and its officers, employees, subsidiaries, affiliates, and distributors harmless against all claims, costs, damages, and expenses, and reasonable attorney fees arising out of, directly or indirectly, any claim of personal injury or death associated with such unintended or unauthorized use, even if such claim alleges that ON Semiconductor was negligent regarding the design or manufacture of the part. ON Semiconductor is an Equal Opportunity/Affirmative Action Employer. This literature is subject to all applicable copyright laws and is not for resale in any manner.

## PUBLICATION ORDERING INFORMATION

### LITERATURE FULFILLMENT:

Literature Distribution Center for ON Semiconductor  
19521 E. 32nd Pkwy, Aurora, Colorado 80011 USA  
**Phone:** 303-675-2175 or 800-344-3860 Toll Free USA/Canada  
**Fax:** 303-675-2176 or 800-344-3867 Toll Free USA/Canada  
**Email:** [orderlit@onsemi.com](mailto:orderlit@onsemi.com)

**N. American Technical Support:** 800-282-9855 Toll Free  
USA/Canada  
**Europe, Middle East and Africa Technical Support:**  
Phone: 421 33 790 2910  
**Japan Customer Focus Center**  
Phone: 81-3-5817-1050

**ON Semiconductor Website:** [www.onsemi.com](http://www.onsemi.com)  
**Order Literature:** <http://www.onsemi.com/orderlit>  
For additional information, please contact your local  
Sales Representative