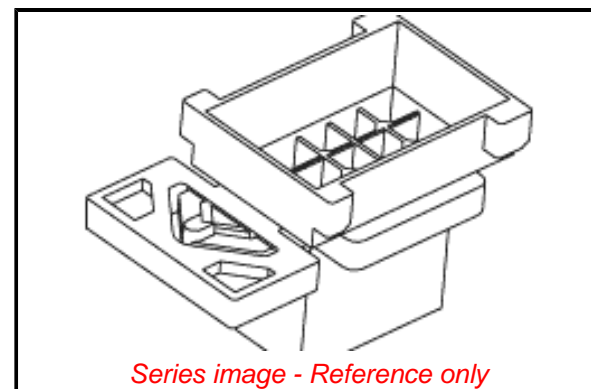


**PLEASE CHECK WWW.MOLEX.COM FOR LATEST PART INFORMATION**

**Part Number:** **0443002400**  
**Status:** **Active**  
**Overview:** Micro-Fit 3.0™ Connectors  
**Description:** Micro-Fit BMI™ Plug Housing, Dual Row, Panel Mount, 24 Circuits

**Documents:**

|  |  |
|--|--|
| <a href="#">3D Model</a>                                     | <a href="#">Product Specification TS-43045-002-001 (PDF)</a> |
| <a href="#">Drawing (PDF)</a>                                | <a href="#">Product Specification TS-46235-001-001 (PDF)</a> |
| <a href="#">Product Specification PS-44300-001 (PDF)</a>     | <a href="#">RoHS Certificate of Compliance (PDF)</a>         |
| <a href="#">Product Specification TS-43045-001-001 (PDF)</a> | <a href="#">Product Literature (PDF)</a>                     |



**Agency Certification**

|     |         |
|-----|---------|
| CSA | LR19980 |
| UL  | E29179  |

**General**

|                             |                                    |
|-----------------------------|------------------------------------|
| Product Family              | Crimp Housings                     |
| Series                      | <u>44300</u>                       |
| Application                 | Power, Wire-to-Board, Wire-to-Wire |
| Overview                    | <u>Micro-Fit 3.0™ Connectors</u>   |
| Product Literature Order No | 987650-5984                        |
| Product Name                | Micro-Fit BMI™                     |
| UPC                         | 800753281981                       |

**Physical**

|                               |                 |
|-------------------------------|-----------------|
| Circuits (maximum)            | 24              |
| Color - Resin                 | Black           |
| Flammability                  | 94V-0           |
| Gender                        | Plug            |
| Glow-Wire Compliant           | No              |
| Lock to Mating Part           | No              |
| Material - Resin              | Polyester       |
| Net Weight                    | 5.207/g         |
| Number of Rows                | 2               |
| Packaging Type                | Bag             |
| Panel Mount                   | Yes             |
| Pitch - Mating Interface      | 3.00mm          |
| Polarized to Mating Part      | Yes             |
| Stackable                     | No              |
| Temperature Range - Operating | -40°C to +105°C |

**Electrical**

|                               |      |
|-------------------------------|------|
| Current - Maximum per Contact | 5.0A |
|-------------------------------|------|

**Solder Process Data**

|                              |     |
|------------------------------|-----|
| Lead-free Process Capability | N/A |
|------------------------------|-----|

**Material Info**

**Reference - Drawing Numbers**

|                       |  |
|-----------------------|--|
| Product Specification | PS-44300-001, TS-43045-001-001, TS-43045-002-001, TS-46235-001-001 |
| Sales Drawing         | SD-44300-001   |

**EU ELV**

**Not Relevant**

**EU RoHS**

**Compliant**

**REACH SVHC**

Not Contained Per  
-ED/01/2017 (12  
January 2017)

**Halogen-Free**

**Status**

**Not Low-Halogen**

**Need more information on product environmental compliance?**

Email [productcompliance@molex.com](mailto:productcompliance@molex.com)  
Please visit the [Contact Us](#) section for any non-product compliance questions.

China ROHS

ELV

RoHS Phthalates

Green Image

Not Relevant

Not Contained

**Search Parts in this Series**

44300 Series

**Mates With**

44133 , 44764 , 44769

**Use With**

43031 Micro-Fit 3.0™ Male Crimp Terminals