

PLEASE CHECK WWW.MOLEX.COM FOR LATEST PART INFORMATION

Part Number: **0923150825**
Status: **Active**
Overview: Picoflex® Ribbon-Cable Connectors
Description: Picoflex® PF-50 IDT-to-IDT, 8 Circuits, 0.25m Length

Documents:

3D Model Product Specification PS-99020-0011 (PDF)
Drawing (PDF) RoHS Certificate of Compliance (PDF)

General

Product Family	Cable Assemblies
Series	<u>92315</u>
Application Tooling Part Link	62100-6000
Application Tooling Part Link	62100-6010
Assembly Configuration	Dual Ended Connectors
Connector to Connector	Picoflex® IDT-to-IDT
Overview	<u>Picoflex® Ribbon-Cable Connectors</u>
Product Name	Picoflex®
UPC	800754779685

Physical

Cable Length	0.25m
Circuits (Loaded)	8
Color - Resin	Natural
Gender	Female-Female
Lock to Mating Part	None
Material - Metal	Phosphor Bronze
Material - Plating Mating	Tin
Material - Plating Termination	Tin
Material - Resin	Polyester
Net Weight	4.420/g
Packaging Type	Bag
Pitch - Mating Interface	1.27mm
Plating min - Mating	2.032µm
Plating min - Termination	2.032µm
Single Ended	No
Termination Interface: Style	IDT or Pierce
Waterproof / Dustproof	No
Wire Insulation Diameter	N/A
Wire Size AWG	28
Wire/Cable Type	PVC, Ribbon Cable

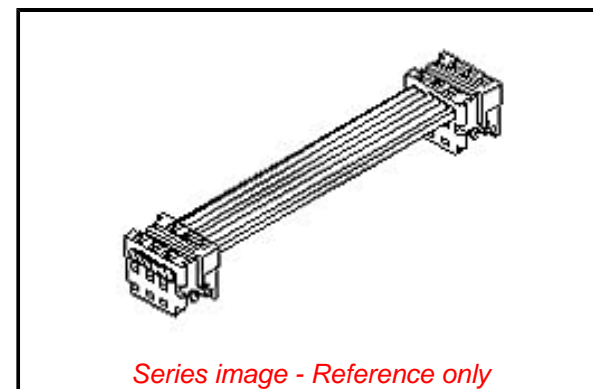
Electrical

Current - Maximum per Contact	1.2A
Shielded	No
Voltage - Maximum	250V

Material Info

Reference - Drawing Numbers

Product Specification	PS-99020-0011
Sales Drawing	SD-92315-001



Series image - Reference only

EU ELV

Not Relevant

EU RoHS

Compliant

REACH SVHC

Not Contained Per
-ED/01/2017 (12
January 2017)

Halogen-Free

Status

Not Low-Halogen

Need more information on product environmental compliance?

Email productcompliance@molex.com
Please visit the [Contact Us](#) section for any non-product compliance questions.

China ROHS	Not Relevant
ELV	Not Relevant
RoHS Phthalates	Not Contained

Search Parts in this Series

92315 Series

Mates With

Picoflex® PF-50 Header 90325 , 90800 , 90779 , 90715 , 90814