

**PLEASE CHECK WWW.MOLEX.COM FOR LATEST PART INFORMATION**

**Part Number:** [0399700103](#)  
**Status:** **Active**  
**Overview:** Eurostyle™ Terminal Blocks  
**Description:** 10.16mm Beau™ Eurostyle™ Fixed Mount PCB Terminal Block, High Power 60A, 3 Circuits

**Documents:**

[3D Model](#) [RoHS Certificate of Compliance \(PDF\)](#)  
[Drawing \(PDF\)](#)

**Agency Certification**

UL E48521

**General**

Product Family Terminal Blocks  
 Series [39970](#)  
 Application N/A  
 Component Type One Piece  
 MolexKits Yes  
 Overview [Eurostyle™ Terminal Blocks](#)  
 Product Name Eurostyle™ Fixed Mount  
 Type Euro Block  
 UPC 191128127172

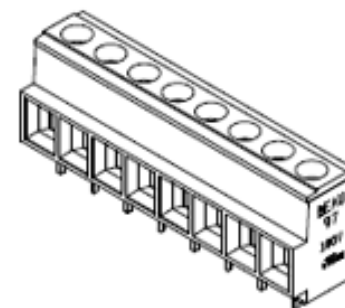
**Physical**

Circuits (Loaded) 3  
 Circuits (maximum) 3  
 Color - Resin Black  
 Entry Angle Horizontal  
 Flammability 94V-0  
 Lock to Mating Part None  
 Material - Metal Copper  
 Material - Plating Mating Tin  
 Material - Plating Termination Tin  
 Material - Resin Polyester  
 Number of Rows 1  
 Orientation Vertical  
 PC Tail Length 4.06mm  
 PCB Retention None  
 Panel Mount No  
 Pitch - Mating Interface 10.16mm  
 Pitch - Termination Interface 10.16mm  
 Plating min - Mating 3.810µm  
 Plating min - Termination 3.810µm  
 Polarized to Mating Part N/A  
 Shrouded Fully  
 Stackable No  
 Surface Mount Compatible (SMC) No  
 Temperature Range - Operating 130°C  
 Termination Interface: Style Through Hole  
 Wire Size AWG 10, 12, 14, 16, 18, 6, 8  
 Wire Size mm² 0.75-10.00

**Electrical**

Current - Maximum per Contact 60.0A  
 Voltage - Maximum 300V

**Solder Process Data**



Series image - Reference only

**EU ELV**

**Not Relevant**

**EU RoHS**

**Compliant with Exemption 6(c)**

**REACH SVHC**

Not Contained Per -ED/01/2017 (12 January 2017)

**Halogen-Free**

**Status**

**Not Low-Halogen**

**Need more information on product environmental compliance?**

Email [productcompliance@molex.com](mailto:productcompliance@molex.com)  
 Please visit the [Contact Us](#) section for any non-product compliance questions.

China ROHS	50 Image
ELV	Not Relevant
RoHS Phthalates	Not Contained

**Search Parts in this Series**

[39970 Series](#)

Lead-freeProcess Capability

WAVE

**Material Info**

Engineering Number

970503

**Reference - Drawing Numbers**

Sales Drawing

SD-39970-003

This document was generated on 05/26/2017

**PLEASE CHECK [WWW.MOLEX.COM](http://WWW.MOLEX.COM) FOR LATEST PART INFORMATION**