

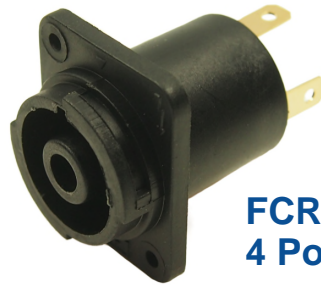


# CLIFFCON CONNECTORS

Connectors designed for high power applications, where a high quality, reliable, locking, touch-proof connector system is required.

### Features

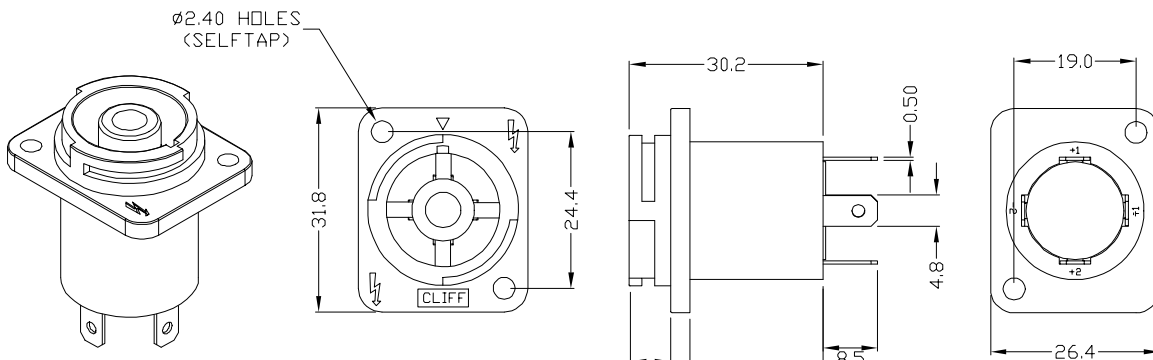
- Touchproof contacts to IEC65 / IEC 348
- Polarized
- Easy Locking / Unlocking
- Reliable wiping contacts / Gold plated
- Faston and screw / solder connections
- Built in cable clamp (6mm - 15mm cable)
- Chassis connector is panel airtight. Fits std XLR cutout
- Tough and durable



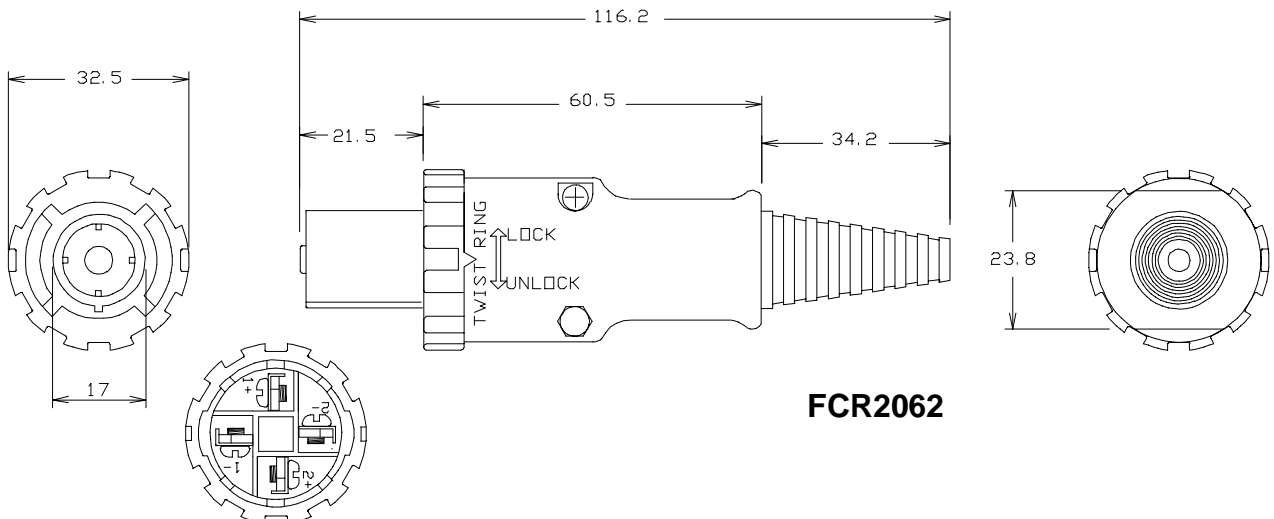
**FCR2064**  
**4 Pole Socket**



**FCR2062**  
**4 Pole Plug**



**FCR2064**



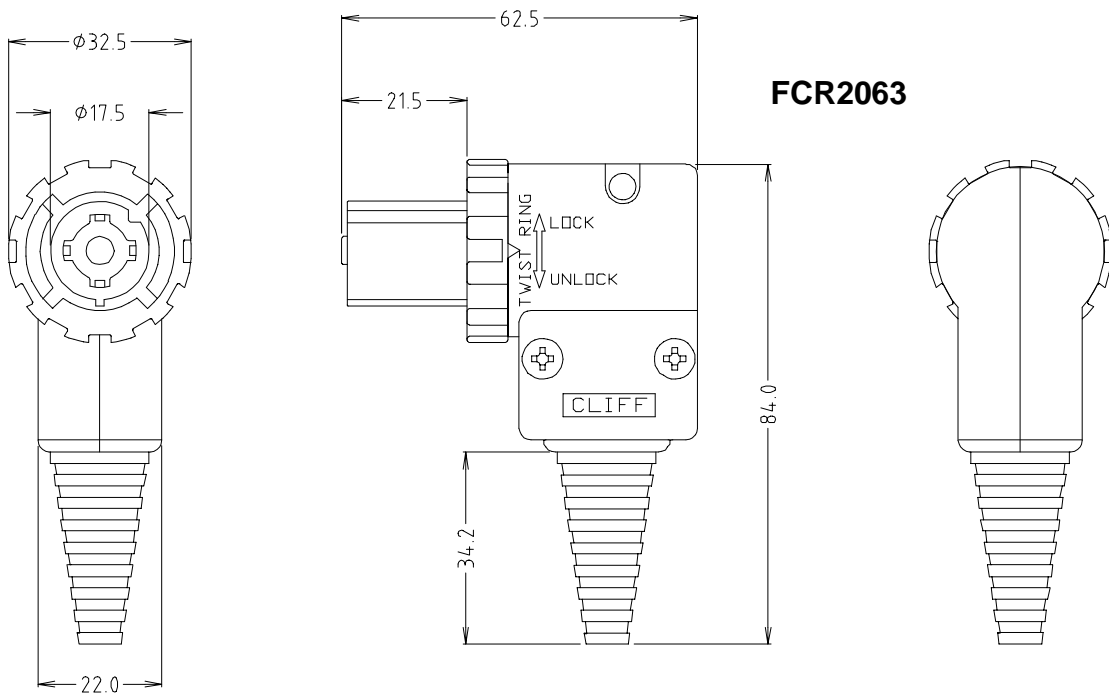
**FCR2062**

# CLIFF

## CLIFFCON CONNECTORS



**FCR2063**  
**4 Pole 90° Plug**



### Specification

- 1) Safety leading ground pin - makes first, breaks last.
- 2) Rated Voltage - 240VAC
- 3) Rated Current: 4 pin 20A RMS @ 80°C  
30A RMS @ 20°C (5% usage)
- 4) Inrush Current: >30A / 20mS
- 5) Contact Resistance: <3mΩ
- 6) Insulation Resistance: >20MΩ @ 4000V
- 7) Operating Temp: -20°C to +80°C
- 8) Max wire size: 6mm<sup>2</sup> / 10AWG solid, 4mm<sup>2</sup> / 12AWG stranded
- 9) Gold plated touchproof contacts to IEC65, IEC45 and IEC1010-1

For further information, contact [sales@cliffuk.co.uk](mailto:sales@cliffuk.co.uk)

© CLIFF 06/17

**Cliff Electronic Components Limited,**  
76 Holmethorpe Avenue, Holmethorpe Ind. Estate,  
Redhill, Surrey RH1 2PF U.K.

Tel: +44 (0)1737 771375 Fax: +44 (0)1737 766012



Visit us online at:



[www.cliffuk.co.uk](http://www.cliffuk.co.uk)