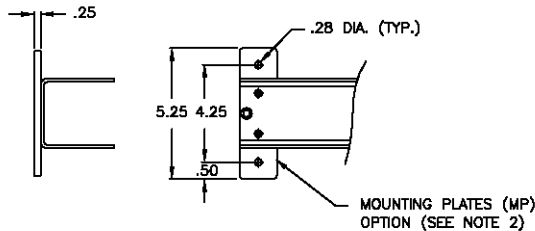
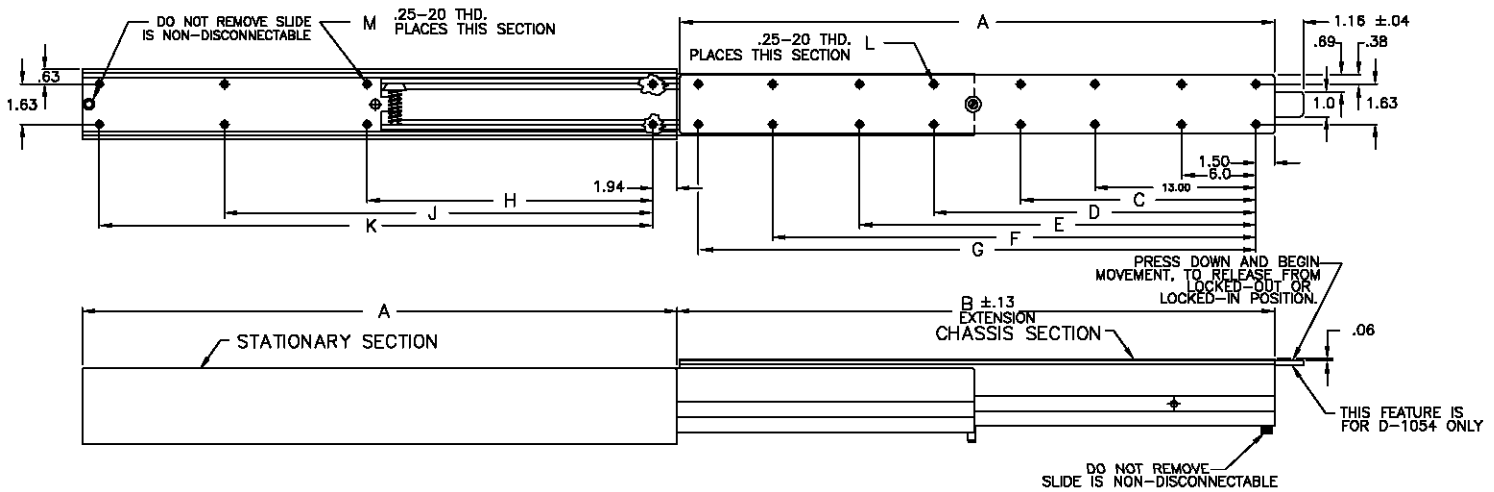


D-1050/1054



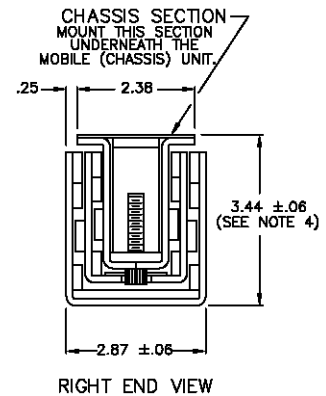
Extra Heavy Duty Bottom Mount Slides



TO ORDER, SPECIFY

D-1050/1054 - -

Length (Dim. A) MP - Mounting Plate



Notes

- Catalog number D-1054 designates the same slide as D-1050, however, the D-1054 slide locks at the fully closed position (LI) and at the fully extended position (LO).
- Stationary section is designed for mounting from the bottom (threaded holes). If application requires mounting stationary section from the top side, order optional mounting plates.
- Slide operates on solid rollers for vertical alignment and ball bearings for horizontal thrust.
- Measured in the closed (retracted) position.
- Load capacity is based on one slide at full extension with the load (center of gravity) at the midpoint of the slide (chassis section).

Catalog Number	A	B	C	D	E	F	G	H	J	K	L	M	Load Capacity
D-1050/1054-18	18.0	18.0	OMIT	OMIT	OMIT	OMIT	15.0	8.06	OMIT	15.34	8	6	1270 LBS.
D-1050/1054-20	20.0	20.0	OMIT	OMIT	OMIT	OMIT	17.0	9.06	OMIT	17.34	8	6	1140 LBS.
D-1050/1054-22	22.0	22.0	OMIT	OMIT	OMIT	OMIT	19.0	10.06	OMIT	19.34	8	6	1035 LBS.
D-1050/1054-24	24.0	24.0	19.0	OMIT	OMIT	OMIT	21.0	11.06	OMIT	21.34	10	6	935 LBS.
D-1050/1054-26	26.0	26.0	19.0	OMIT	OMIT	OMIT	23.0	12.06	OMIT	23.34	10	6	875 LBS.
D-1050/1054-28	28.0	28.0	19.0	OMIT	OMIT	OMIT	25.0	13.06	OMIT	25.34	10	6	815 LBS.
D-1050/1054-30	30.0	30.0	19.0	OMIT	OMIT	OMIT	27.0	14.06	OMIT	27.34	10	6	760 LBS.
D-1050/1054-32	32.0	32.0	19.0	OMIT	OMIT	OMIT	29.0	15.06	OMIT	29.34	10	6	710 LBS.
D-1050/1054-34	34.0	34.0	19.0	OMIT	OMIT	OMIT	31.0	16.06	OMIT	31.34	10	6	670 LBS.
D-1050/1054-36	36.0	36.0	19.0	26.0	OMIT	OMIT	33.0	17.06	25.56	33.34	12	8	630 LBS.
D-1050/1054-38	38.0	38.0	19.0	26.0	OMIT	OMIT	35.0	18.06	27.06	35.34	12	8	600 LBS.
D-1050/1054-40	40.0	40.0	19.0	26.0	OMIT	OMIT	37.0	19.06	28.56	37.34	12	8	570 LBS.
D-1050/1054-42	42.0	42.0	19.0	26.0	32.0	OMIT	39.0	20.06	30.06	39.34	14	8	545 LBS.
D-1050/1054-44	44.0	44.0	19.0	26.0	32.0	OMIT	41.0	21.06	31.56	41.34	14	8	520 LBS.
D-1050/1054-46	46.0	46.0	19.0	26.0	32.0	OMIT	43.0	22.06	33.06	43.34	14	8	495 LBS.
D-1050/1054-48	48.0	48.0	19.0	26.0	32.0	39.0	45.0	23.06	34.56	45.34	16	8	475 LBS.

- For increased load capacity, multiply the number of slides required for the application.
- Slide is non-disconnectable.
 - Slide is designed for compression loading only.
 - To prevent internal damage to the slide, maximum mounting screw penetration cannot exceed .42 into the stationary section or .31 into the chassis section.
 - Slide members are coated with Poxylube® - a gray-colored dry film lubricant.
 - Slide members are made from 10 gage (.135) cold rolled steel, and 3/16 C.D. Flat Bar.
 - Non-standard stainless steel slide, coated with Poxylube®, is available. This option will require a special reference number.