

## Electronic housing - EG 45-AE/ABS GN - 2764409

Please be informed that the data shown in this PDF Document is generated from our Online Catalog. Please find the complete data in the user's documentation. Our General Terms of Use for Downloads are valid (<http://phoenixcontact.com/download>)

Housing cover, for connection on one side



Illustration shows a fully mounted version of the electronic housing

### Why buy this product

- Tool-free mounting
- Practical and easy-to-wire conductor connection using extra finely stranded sturdy screw terminal blocks up to 2.5 mm<sup>2</sup>
- Optimum accommodation of electronic components with graded pitches with a design width of 22.5 mm, 45 mm, 67.5 mm, and 90 mm
- Fast snap-on mounting on symmetrical DIN rails according to EN 60715
- Functional and industry-oriented housing technology
- Date of manufacture and material and part identification embossed on the housing (recyclability)
- Shock and contamination-proof accommodation of electronic components (IP40 housing, IP20 terminal blocks)

### Key Commercial Data

Packing unit	10 STK
Minimum order quantity	10 STK
GTIN	
GTIN	4017918065997
Weight per Piece (excluding packing)	12.470 g
Custom tariff number	85389099
Country of origin	Germany

### Technical data

#### General

Housing type	Component housing
Housing material	Acryl butadiene styrene (ABS)
Color	green

#### Ambient conditions

# Electronic housing - EG 45-AE/ABS GN - 2764409

## Technical data

### Ambient conditions

Ambient temperature (operation)	80 °C
---------------------------------	-------

### Dimensions

Length	75 mm
Constructional height	17.5 mm
Width	45 mm

### Technical data

Flammability rating according to UL 94	HB
Number of positions	16

### Standards and Regulations

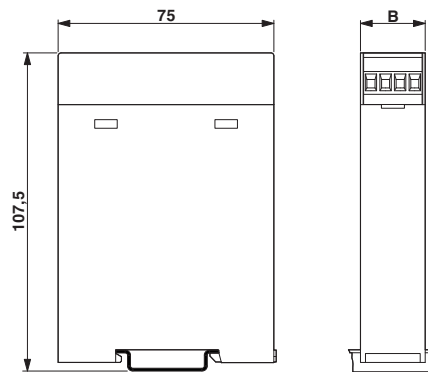
Flammability rating according to UL 94	HB
--	----

### Environmental Product Compliance

China RoHS	Environmentally friendly use period: unlimited = EFUP-e
	No hazardous substances above threshold values

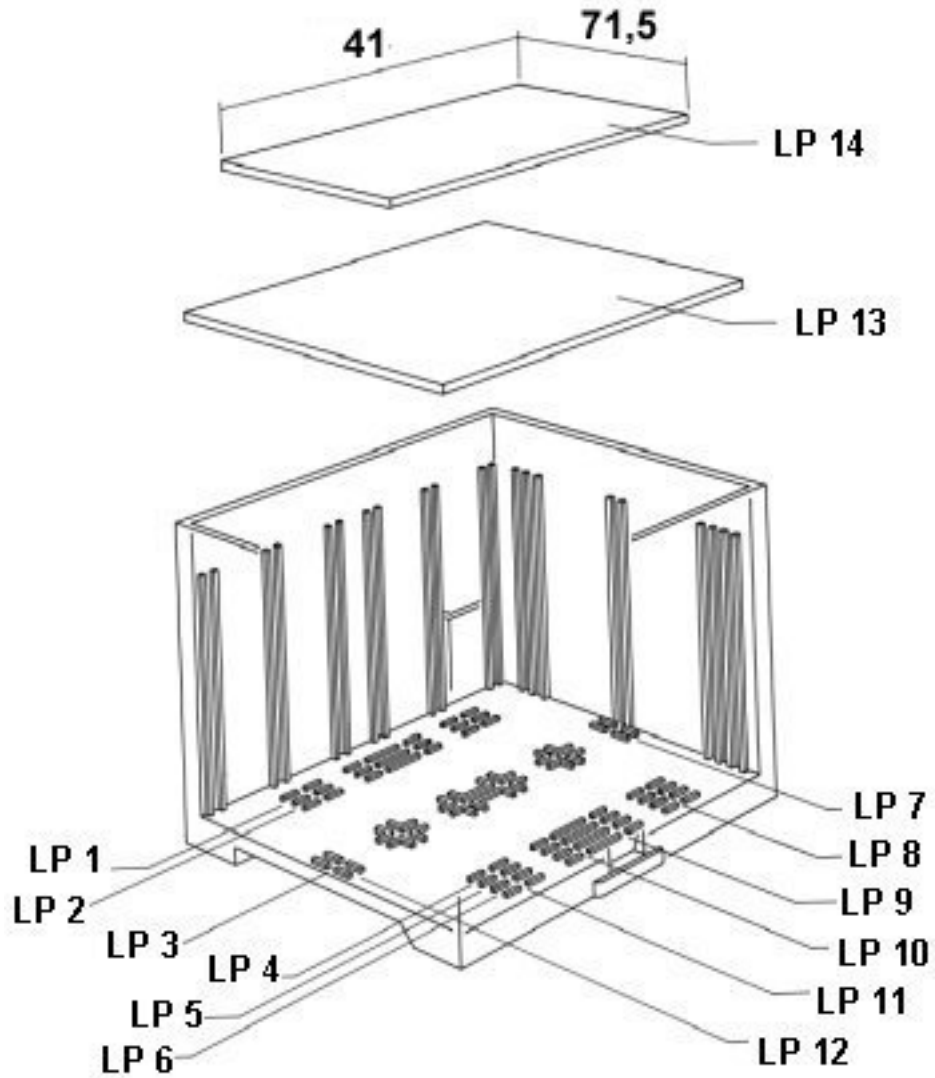
## Drawings

Dimensional drawing



# Electronic housing - EG 45-AE/ABS GN - 2764409

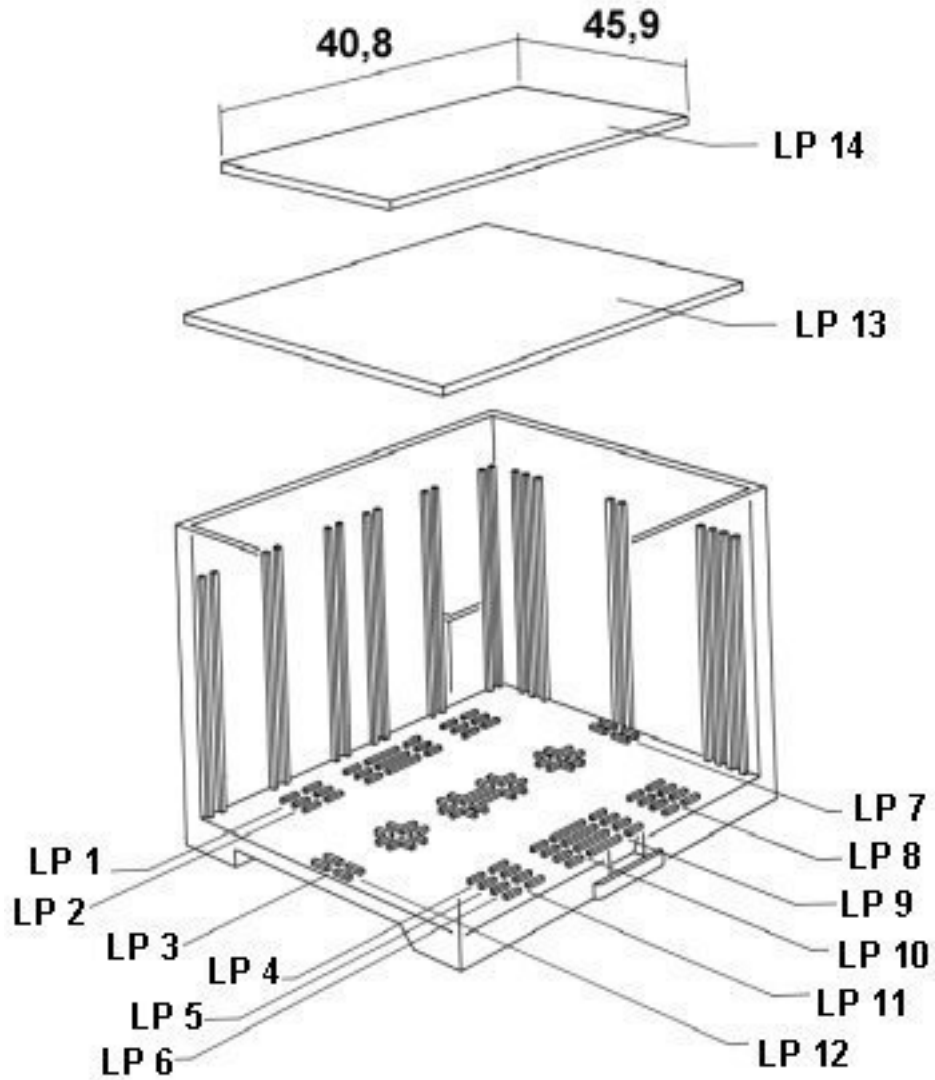
Explosion drawing



valid for PCB 13

# Electronic housing - EG 45-AE/ABS GN - 2764409

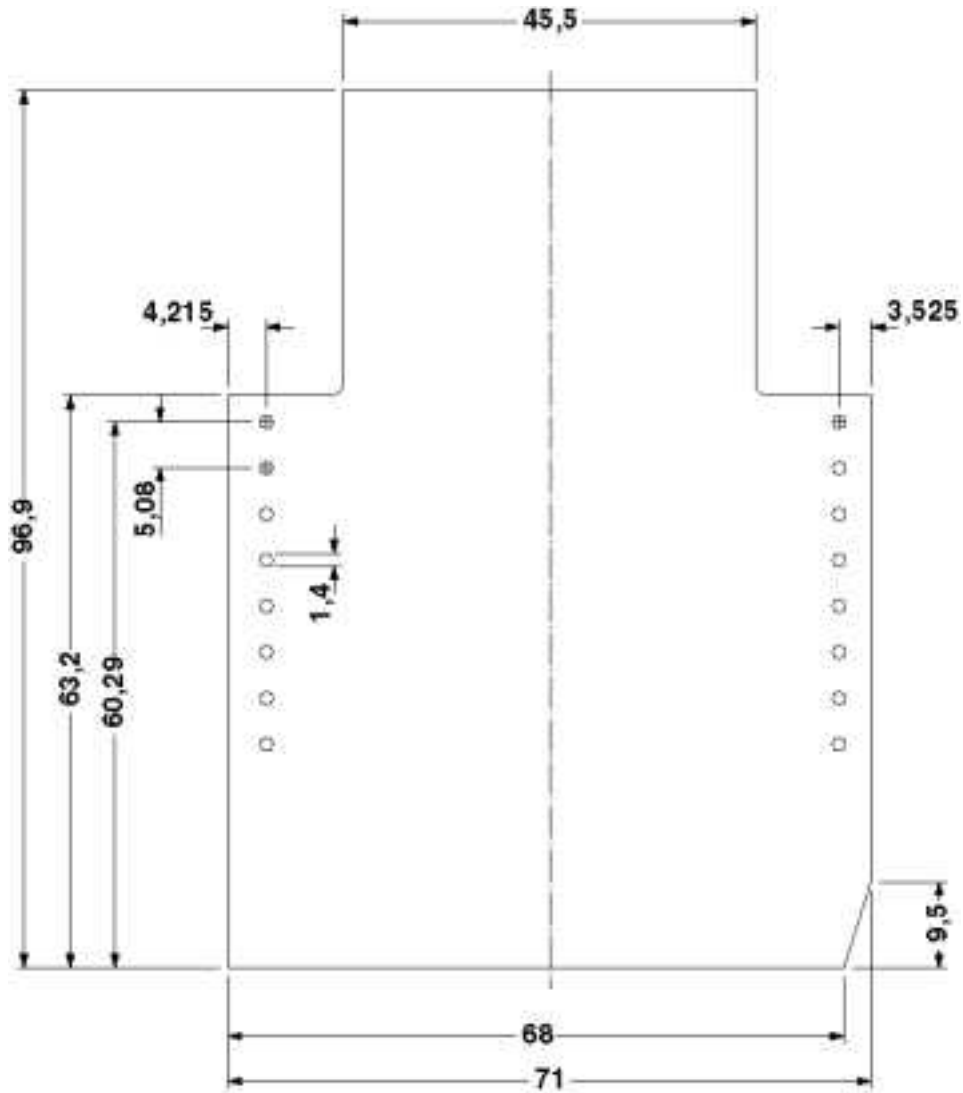
Explosion drawing



valid for PCB 14

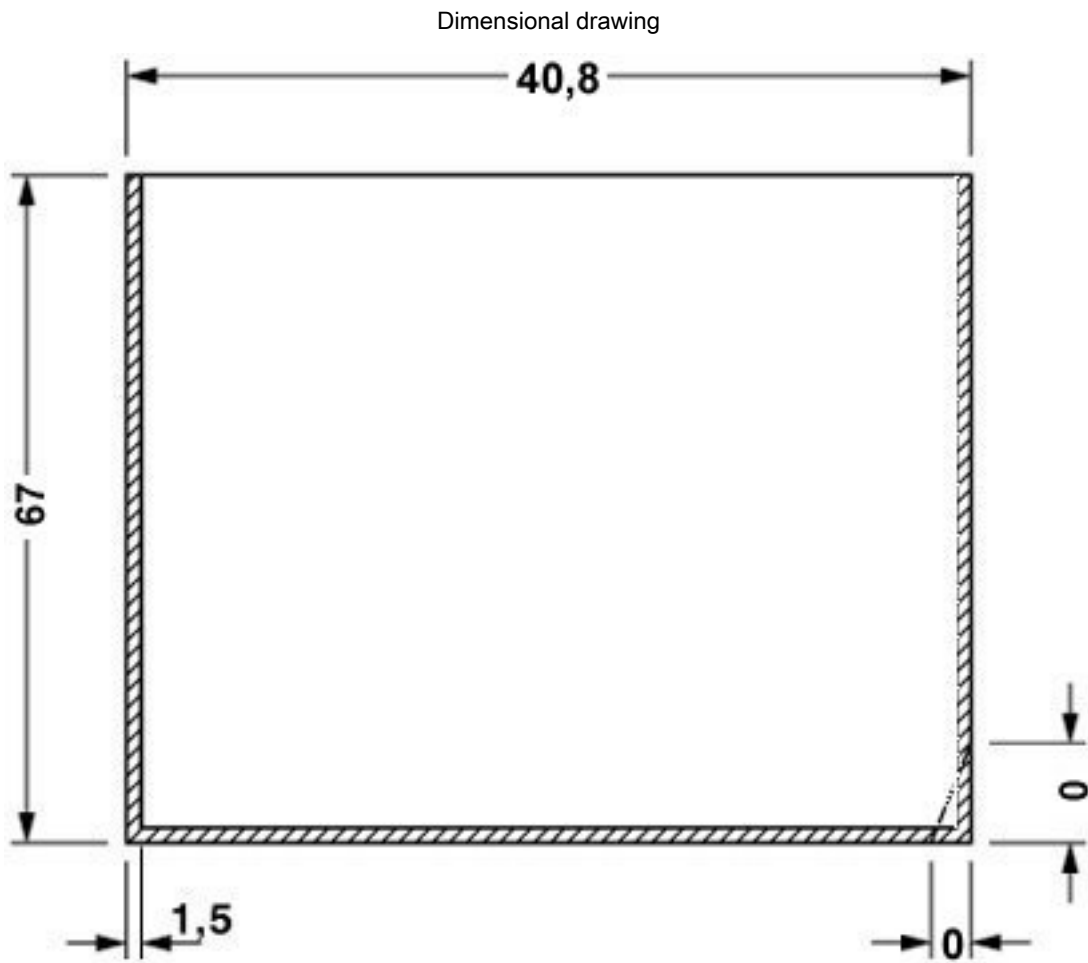
# Electronic housing - EG 45-AE/ABS GN - 2764409

Dimensional drawing



Component mounting side, if the double-level upper part is used

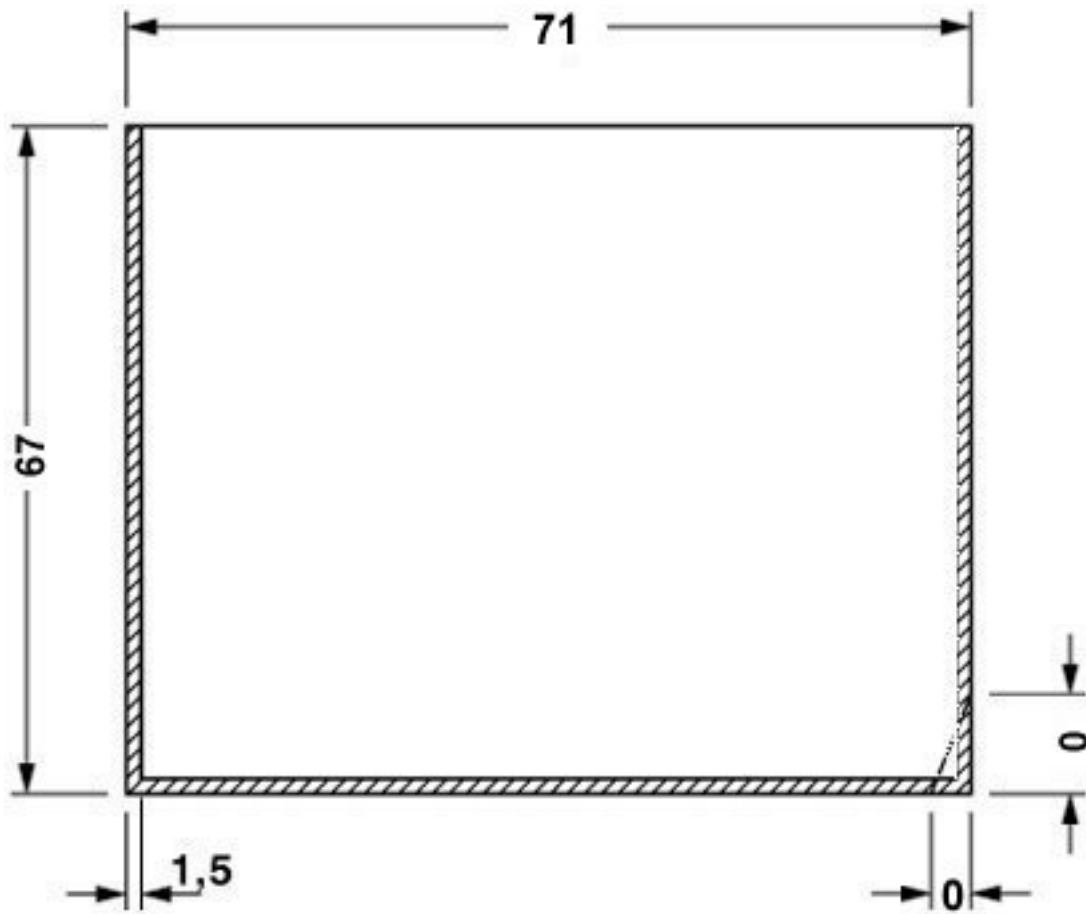
## Electronic housing - EG 45-AE/ABS GN - 2764409



valid for PCB 1; 3; 5 and 6, see explosion drawing

# Electronic housing - EG 45-AE/ABS GN - 2764409

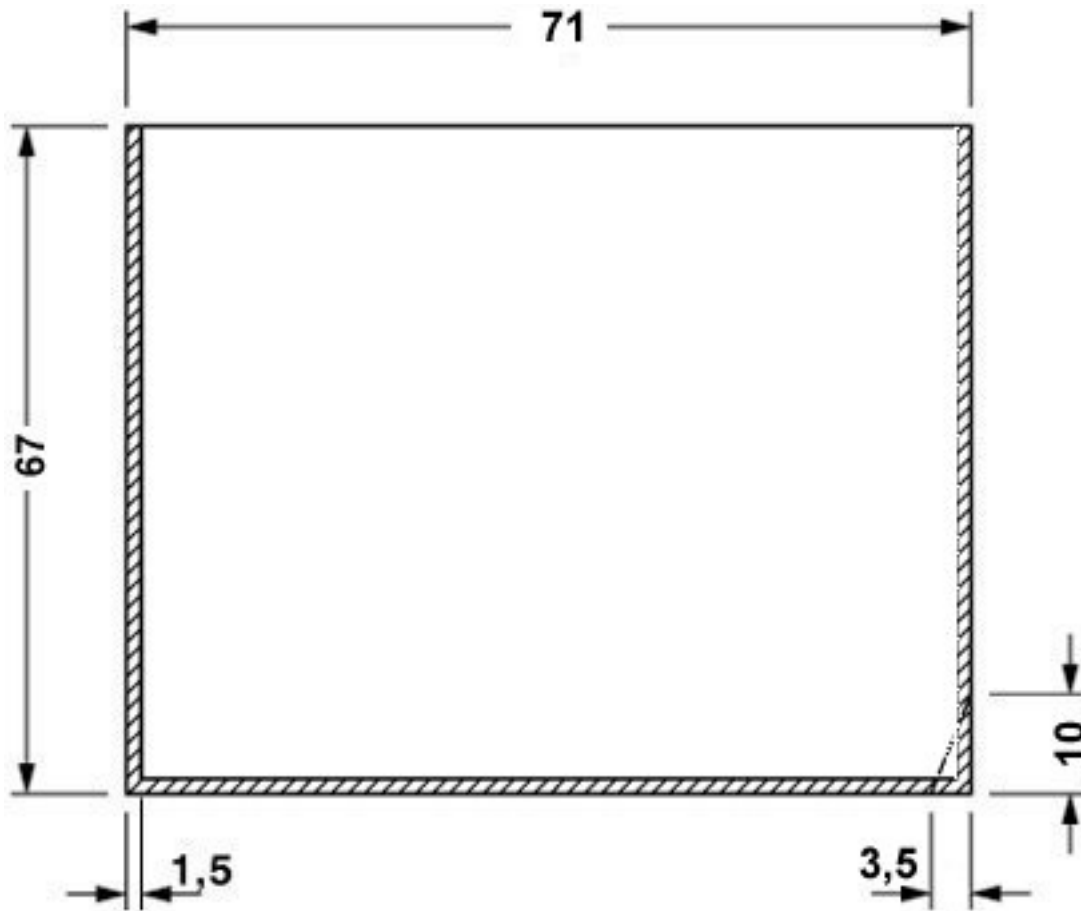
Dimensional drawing



valid for PCB 7 and 12, see explosion drawing

# Electronic housing - EG 45-AE/ABS GN - 2764409

Dimensional drawing



valid for PCB 10, see explosion drawing

## Classifications

eCl@ss

eCl@ss 4.0	27180401
eCl@ss 4.1	27180401
eCl@ss 5.0	27180506
eCl@ss 5.1	27180506
eCl@ss 6.0	27180802
eCl@ss 7.0	27182702
eCl@ss 8.0	27182702
eCl@ss 9.0	27182702

ETIM

ETIM 2.0	EC001031
ETIM 3.0	EC001031
ETIM 4.0	EC001031



# Electronic housing - EG 45-AE/ABS GN - 2764409

## Classifications

### ETIM

ETIM 5.0	EC001031
ETIM 6.0	EC001031

### UNSPSC

UNSPSC 6.01	31261501
UNSPSC 7.0901	31261501
UNSPSC 11	31261501
UNSPSC 12.01	31261501
UNSPSC 13.2	31261501

## Approvals

### Approvals

---

#### Approvals


UL Recognized

---

#### Ex Approvals

---

### Approval details

UL Recognized		<a href="http://database.ul.com/cgi-bin/XYV/template/LISEXT/1FRAME/index.htm">http://database.ul.com/cgi-bin/XYV/template/LISEXT/1FRAME/index.htm</a>	FILE E 240868
---------------	---	---	---------------

---