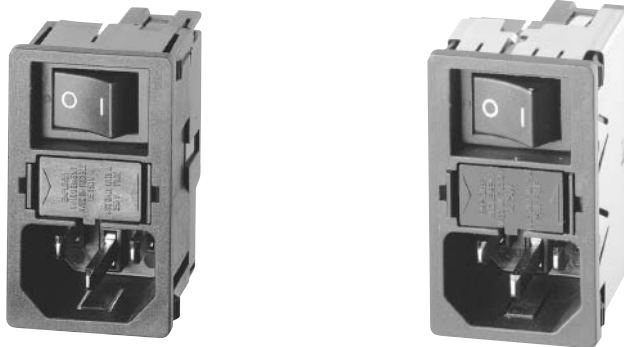


Actual information about approvals can be found on
<http://www.schurter.com/approvals>



KM with shield

C14



70° C



Plug removal necessary for fuse replacement

Description

- Panel mount:
 - Snap-in version from front side
- 3 Functions:
 - Connector Protection class I, Line switch 2-pole, Fuseholder for fuse-links 5 x 20 mm 1- or 2-pole
- Quick connect terminals 4.8 x 0.8 mm
- Alternative: version with line filter [KMF](#)
- With cover on rear-side

Characteristics

- Ultra-compact design. Small dimensions in front of and behind the panel
- All single elements are already wired
- For added safety "Extra-Safe" fuse drawers are available
 - Fuse drawer meets requirements of medical standard IEC/EN 60601-1
 - The fuse drawer can only be opened with the aid of a tool
 - The fuseholder is accessible from the equipment front
- Ideal for application with high transient loads
- Qualified for use in equipment according IEC/EN 60950

Other versions on request:

- fuse drawer 1-pole, plus spare fuse case
- fuse drawer 2-pole, with shorting bar in the neutral side N
- line switch 1-pole
- other rocker marking

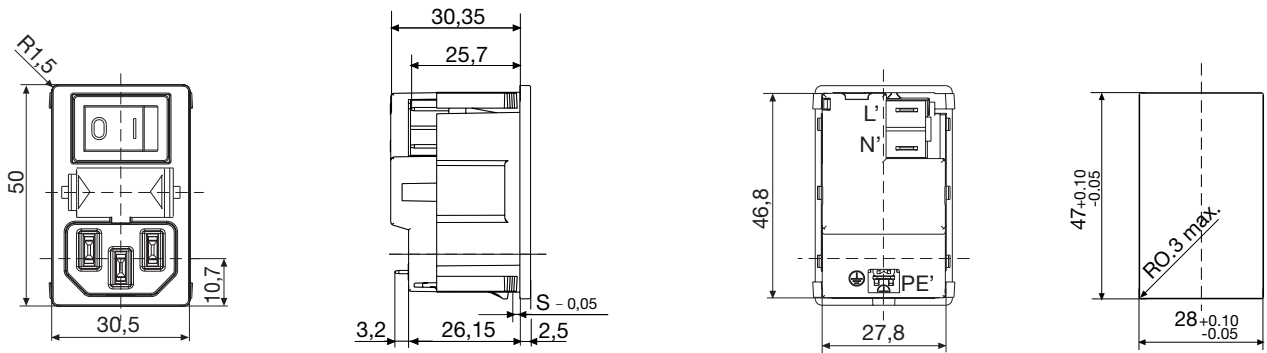
Technical data

Ratings IEC	10 A / 250 VAC; 50 Hz
Ratings UL/CSA	10 A / 250 VAC; 60 Hz
Dielectric strength	> 2.5 kVAC between L-N > 3 kVAC between L/N-PE (1 min/50 Hz)
Allowable operation temp.	-25 °C to 70 °C
Degree of protection	from front side IP40 acc. to IEC 60529
Protection class	Suitable for appliances with protection class I acc. to IEC 61140
Terminals	Quick connect terminals 4.8 x 0.8 mm , tin-plated
Panel thickness s	Snap-in: 1/1.5/2/2.5 mm (all steps with one variant)
Materials: Housing	Thermoplastic, black, UL 94V-0

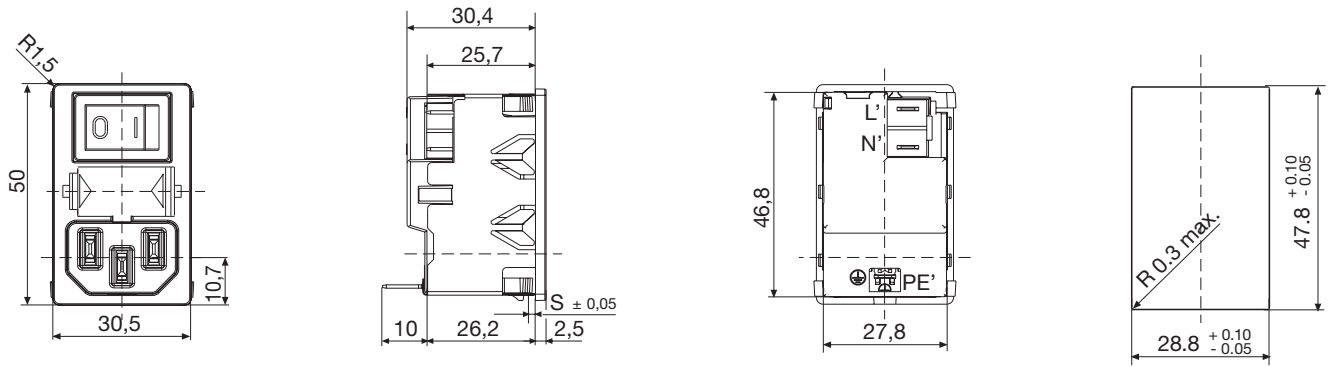
Appliance-inlet /-outlet	C14 acc. to IEC/EN 60320-1, UL 498, CSA C22.2 no. 42 (for cold condition) pin-temperature 70 °C, 10 A, Protection class I
Fuseholder	1- or 2-pole, Shocksav category PC2 acc. to IEC/EN 60127-6, for fuse-links 5 x 20 mm
Rated power acceptance @ Ta 23 °C	5 x 20: 2 W (1-pole)/ 1.6 W (2-pole) per pole
Power acceptance @ Ta > 23°C	Admissible power acceptance at higher ambient temperature see derating curves. Take note of the information GENERAL PRODUCT INFORMATION
Line switch	Rocker switch 2-pole, non-illuminated, acc. to IEC 61058-1 Technical details GENERAL PRODUCT INFORMATION

Dimensions

KM without shield



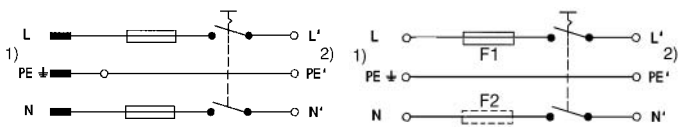
KM with shield



Diagrams

Line switch and fuseholder
2-pole

with shield



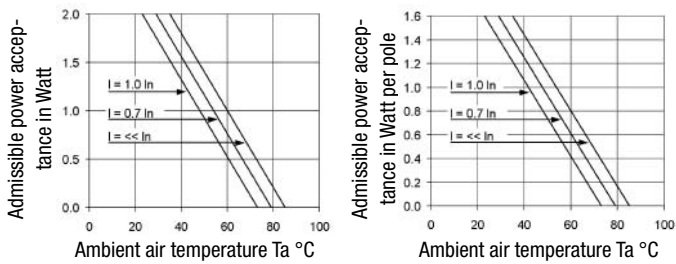
1) Line
2) Load

1) Line
2) Load

Derating curves

1-pole

2-pole



Variants

Fuse drawer must be ordered separately (See accessories).

Fingergrip and Extra Safe. The same drawer as used by type KEA.

Order Number	Fuseholder	Line switch	EMC-Shielding
KM00.1205.11	1-pole	2-pole	
KM01.1205.11	1-pole	2-pole	With EMC-shield and without line filter
KM00.1105.11	2-pole	2-pole	
KM01.1105.11	2-pole	2-pole	With EMC-shield and without line filter

Packaging unit

50 Pcs

Accessories[ACCESSORIES](#)