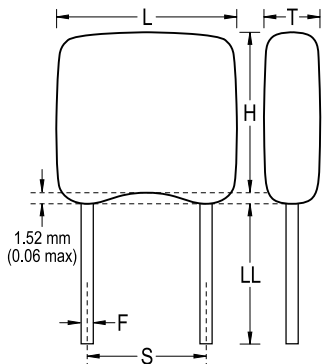


Ceramic, Commercial Grade, GoldMax, 100 pF, 5%, 200 V, C0G, Lead Spacing = 2.54mm



**Dimensions**

<b>L</b>	3.81mm MAX
<b>H</b>	3.14mm MAX
<b>T</b>	2.54mm MAX
<b>S</b>	2.54mm NOM
<b>LL</b>	7mm MIN
<b>F</b>	0.51mm NOM

**Packaging Specifications**

<b>Packaging:</b>	Bulk, Bag
<b>Packaging Quantity:</b>	500

**General Information**

<b>Style:</b>	Radial
<b>Series:</b>	GoldMax
<b>Description:</b>	GoldMax, Commercial Standard
<b>RoHS:</b>	Yes
<b>Termination:</b>	Tin
<b>Failure Rate:</b>	N/A

**Specifications**

<b>Capacitance:</b>	100 pF
<b>Capacitance Tolerance:</b>	5%
<b>Voltage DC:</b>	200 VDC
<b>Temperature Range:</b>	-55/+125C
<b>Temperature Coefficient:</b>	C0G
<b>Dissipation Factor:</b>	0.1%
<b>Aging Rate:</b>	0% Loss/Decade Hour
<b>Insulation Resistance:</b>	100 GOhms
<b>Dielectric Strength:</b>	500 V