

Printed-circuit board connector - DMC 1,5/18-G1-3,5 P20THR - 1786992

Please be informed that the data shown in this PDF Document is generated from our Online Catalog. Please find the complete data in the user's documentation. Our General Terms of Use for Downloads are valid (<http://phoenixcontact.com/download>)

Header, Nominal current: 8 A, Rated voltage (III/2): 160 V, Number of positions: 18, Pitch: 3.5 mm, Color: black, Contact surface: Tin, Mounting: THR soldering



The figure shows a 10-pos. version with 20 contacts

Why buy this product

- Designed for integration into the SMT soldering process
- Conductor connection on several levels enables higher contact density
- Small component size for applications where space is at a premium



Key Commercial Data

| | |
|--------------------------------------|---|
| Packing unit | 50 STK |
| GTIN |  4 046356 595223 |
| GTIN | 4046356595223 |
| Weight per Piece (excluding packing) | 9.120 g |
| Custom tariff number | 85366990 |
| Country of origin | Germany |
| Note | Made to Order (non-returnable) |

Technical data

Dimensions

| | |
|--------------------------|-----------|
| Length | 11.6 mm |
| Pitch | 3.5 mm |
| Dimension a | 59.5 mm |
| Width | 63.8 mm |
| Constructional height | 10.8 mm |
| Height | 12.8 mm |
| Length of the solder pin | 2 mm |
| Pin dimensions | 0,8 x 0,8 |

Printed-circuit board connector - DMC 1,5/18-G1-3,5 P20THR - 1786992

Technical data

Dimensions

| | |
|---------------|---------|
| Pin spacing | 2.50 mm |
| Hole diameter | 1.4 mm |

General

| | |
|--|-------------------|
| Range of articles | DMC 1,5/...G1-THR |
| Insulating material group | IIIa |
| Rated surge voltage (III/3) | 2.5 kV |
| Rated surge voltage (III/2) | 2.5 kV |
| Rated surge voltage (II/2) | 2.5 kV |
| Rated voltage (III/3) | 160 V |
| Rated voltage (III/2) | 160 V |
| Rated voltage (II/2) | 250 V |
| Connection in acc. with standard | EN-VDE |
| Nominal current I_N | 8 A |
| Maximum load current | 8 A |
| Insulating material | LCP |
| Flammability rating according to UL 94 | V0 |
| Color | black |
| Number of positions | 18 |

Standards and Regulations

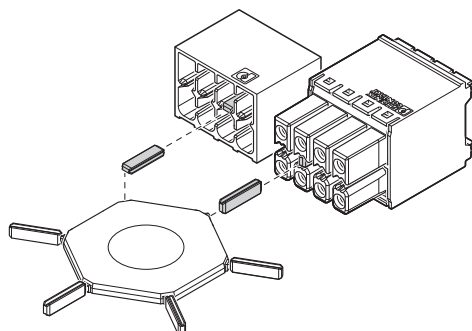
| | |
|--|--------|
| Connection in acc. with standard | EN-VDE |
| | CUL |
| Flammability rating according to UL 94 | V0 |

Environmental Product Compliance

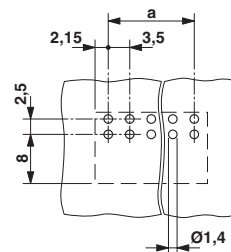
| | |
|------------|---|
| China RoHS | Environmentally friendly use period: unlimited = EFUP-e |
| | No hazardous substances above threshold values |

Drawings

Schematic diagram



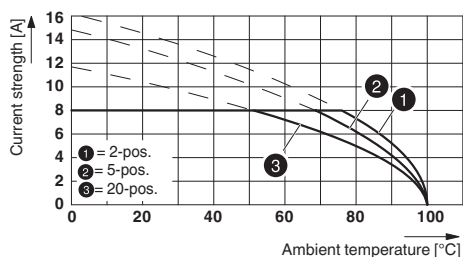
Drilling diagram



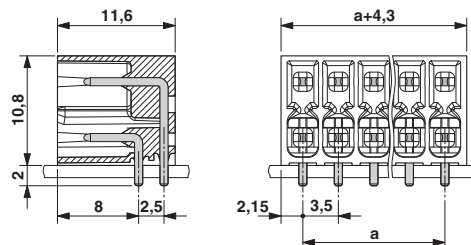
Use of the CP-DMC... coding profile

Printed-circuit board connector - DMC 1,5/18-G1-3,5 P20THR - 1786992

Diagram



Dimensional drawing



Classifications

eCl@ss

| | |
|------------|----------|
| eCl@ss 4.0 | 272607xx |
| eCl@ss 4.1 | 27260701 |
| eCl@ss 5.0 | 27260701 |
| eCl@ss 5.1 | 27260701 |
| eCl@ss 6.0 | 27260704 |
| eCl@ss 7.0 | 27440402 |
| eCl@ss 8.0 | 27440402 |
| eCl@ss 9.0 | 27440402 |

ETIM

| | |
|----------|----------|
| ETIM 4.0 | EC002637 |
| ETIM 5.0 | EC002637 |
| ETIM 6.0 | EC002637 |

UNSPSC

| | |
|---------------|----------|
| UNSPSC 6.01 | 30211810 |
| UNSPSC 7.0901 | 39121409 |
| UNSPSC 11 | 39121409 |
| UNSPSC 12.01 | 39121409 |
| UNSPSC 13.2 | 39121409 |

Approvals

Approvals

Approvals

VDE Gutachten mit Fertigungsüberwachung / IECCEB CB Scheme / cULus Recognized / EAC

Ex Approvals

Printed-circuit board connector - DMC 1,5/18-G1-3,5 P20THR - 1786992

Approvals

Approval details

| | | | |
|---|--|---|----------|
| VDE Gutachten mit Fertigungsüberwachung | | http://www.vde.com/en/Institute/OnlineService/VDE-approved-products/Pages/Online-Search.aspx | 40038423 |
| Nominal current IN | | 8 A | |
| Nominal voltage UN | | 160 V | |

| | | | |
|--------------------|--|---|-----------------|
| IECEE CB Scheme | | http://www.iecee.org/ | DE1-56070_B1_B2 |
| Nominal current IN | | 8 A | |
| Nominal voltage UN | | 160 V | |

| | | | |
|--------------------|-------|---|-----------------|
| cULus Recognized | | http://database.ul.com/cgi-bin/XYV/template/LISEXT/1FRAME/index.htm | E60425-20110128 |
| | B | C | |
| Nominal current IN | 8 A | 8 A | |
| Nominal voltage UN | 150 V | 50 V | |

| | | |
|-----|--|---------|
| EAC | | B.01742 |
|-----|--|---------|

Accessories

Accessories

Coding element

Coding profile - CP-DMC 1,5 NAT - 1790647

Coding profile, for insertion between the coding ribs of the connector and the header following the reflow soldering process, insulating material, color: natural

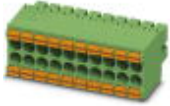


Additional products

Printed-circuit board connector - DMC 1,5/18-G1-3,5 P20THR - 1786992

Accessories

Printed-circuit board connector - DFMC 1,5/18-ST-3,5 - 1790263



Plug, nominal current: 8 A, rated voltage (III/2): 160 V, number of positions: 18 with 36 contacts, pitch: 3.5 mm, connection method: spring-cage connection, color: green, contact surface: tin