

LED lighting solutions for mining



Rugged versatility

LED lighting solutions by Eaton

EATON

Powering Business Worldwide



Designed to perform

Lighting engineered to stand-up to challenging mine conditions

Mining is an around-the-clock operation where employee safety and zero downtime are critical requirements. You need to maximize your efficiency and minimize the risk of damage to equipment or personnel. **You need a partner like Eaton.**

Eaton, offers a large portfolio of innovative and reliable LED products for mine-related applications, and the broadest portfolio of LED luminaires for any industrial or hazardous application.

We utilize more than 100 years of lighting expertise to optimize the benefits of LED technology to offer the safest and most reliable LED luminaires on the market today.

Colowyo Mine, Meeker, Colorado

Dragline retrofitted with sixteen 25,000 lumen Champ® Pro PFM Series LED floodlights (see pg. 6)

LED lighting solutions

engineered for mining



Champ® Series LED Floodlights
high output & durable floodlights



HB Series LED High Bay
versatile & efficient high bay luminaires



Champ® Series LED Luminaires
targeted illumination for multiple locations



Endure™ LED
wall or ceiling mount, versatile & efficient



Vaporgard™ Series LED Luminaires
rugged, dependable task lighting



Crosstour™ MAXX LED
rugged, architectural style wall pack



LL48 Linear LED Luminaires
compact and low profile linear luminaires



XNV Roadway LED Luminaire
high performance, economical design



Vaportite Linear LED
modular designed linear luminaire



NVN Navion LED Roadway Luminaire
outstanding optical performance



Encounter™ LED Series
unmatched optical performance



Light-Pak™ N2LPS Emergency Luminaire
compact & reliable emergency lighting



IHB Series LED High Bay
cost-effective & efficient high bay luminaires



CCH UX Series Exit Lighting
exit lighting for any environment

Eaton LED lighting locations

Eaton designs and manufactures a wide array of LED lighting solutions that save you energy and reduce recurring maintenance costs.

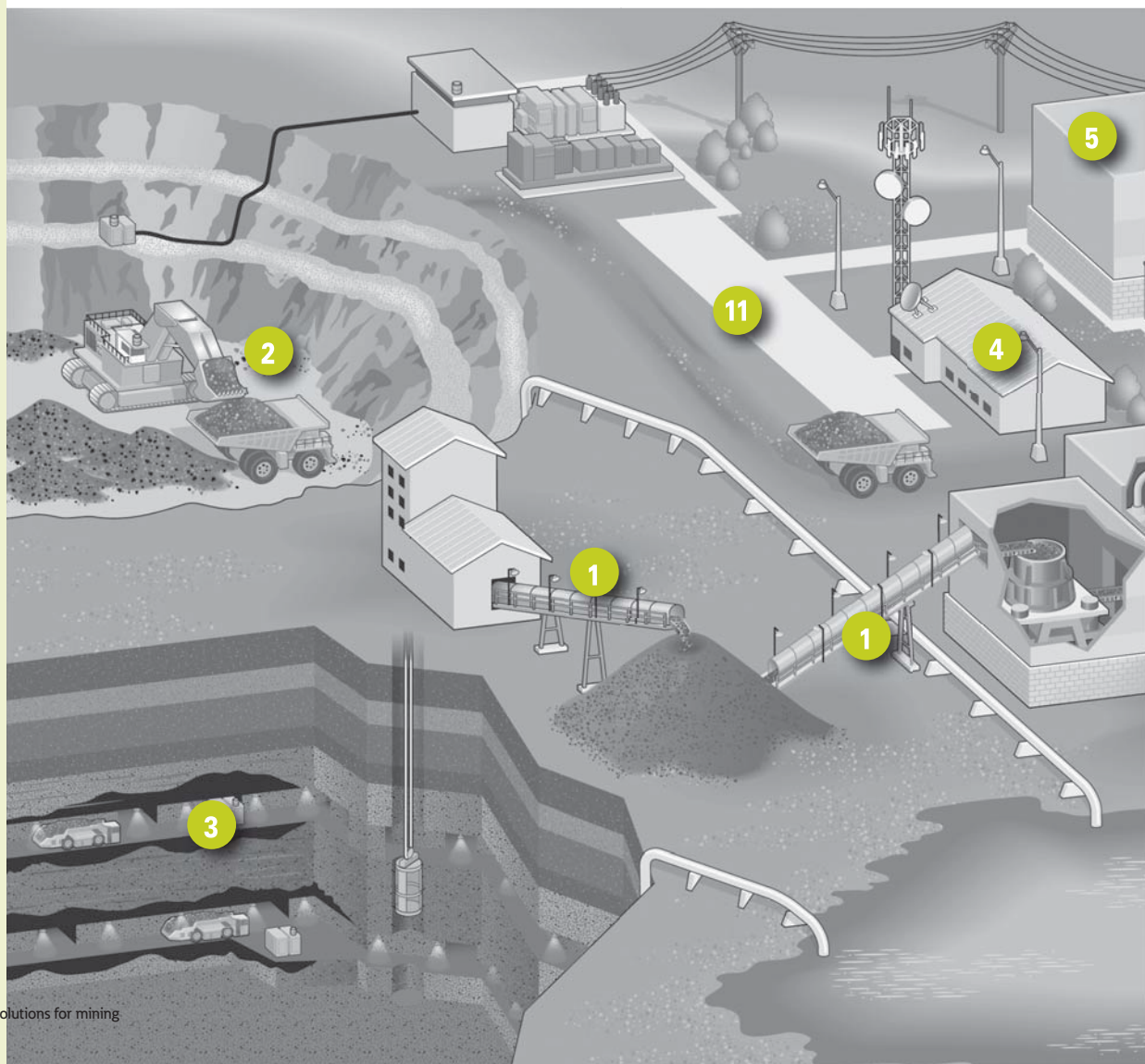
Eaton LED luminaires provide mine sites with flexibility and multiple fixture options usable in a variety of applications.

- 1 Conveyors
- 2 Equipment
- 3 Tunnels
- 4 Maintenance
- 5 Warehouse
- 6 Processing Areas
- 7 Stackers/Reclaimers
- 8 Offices
- 9 Walkways
- 10 Roadways
- 11 Parking Lots

Floodlight	Targeted	Task
		
Champ® Series LED Floodlights <ul style="list-style-type: none"> • Walkways • Parking lots • Equipment • Conveyors • Stackers/reclaimers • Maintenance 	Champ® Series LED Luminaires <ul style="list-style-type: none"> • Conveyors • Stackers/reclaimers • Processing areas • Equipment • Maintenance 	Vaporgard™ Series LED Luminaires <ul style="list-style-type: none"> • Processing areas • Equipment • Maintenance • Tunnels

Linear & troffer replacement

		
LL48 Linear LED Luminaires <ul style="list-style-type: none"> • Processing areas • Equipment • Maintenance • Tunnels 	Vaportite Linear LED Luminaires <ul style="list-style-type: none"> • Processing areas • Equipment • Maintenance • Tunnels 	Encounter™ LED Series Troffer Replacements <ul style="list-style-type: none"> • Office • Non-industrial • Administrative areas



High bay



IHB Series LED Luminaire

- Maintenance
- Warehouse
- Offices
- Processing areas



HB LED Series Luminaire

- Maintenance
- Warehouse
- Offices
- Processing areas



Endure™ LED Wall or Ceiling Mount

- Walkways
- Tunnels
- Processing areas
- Maintenance



Crosstour™ MAXX Wall Pack/Area Site

- Walkways
- Tunnels
- Processing areas
- Maintenance

Roadway



XNV LED Roadway Luminaire

- Walkways
- Parking lots
- Roadways
- Maintenance



NVN NAVION Roadway LED Luminaire

- Walkways
- Parking lots
- Roadways
- Maintenance



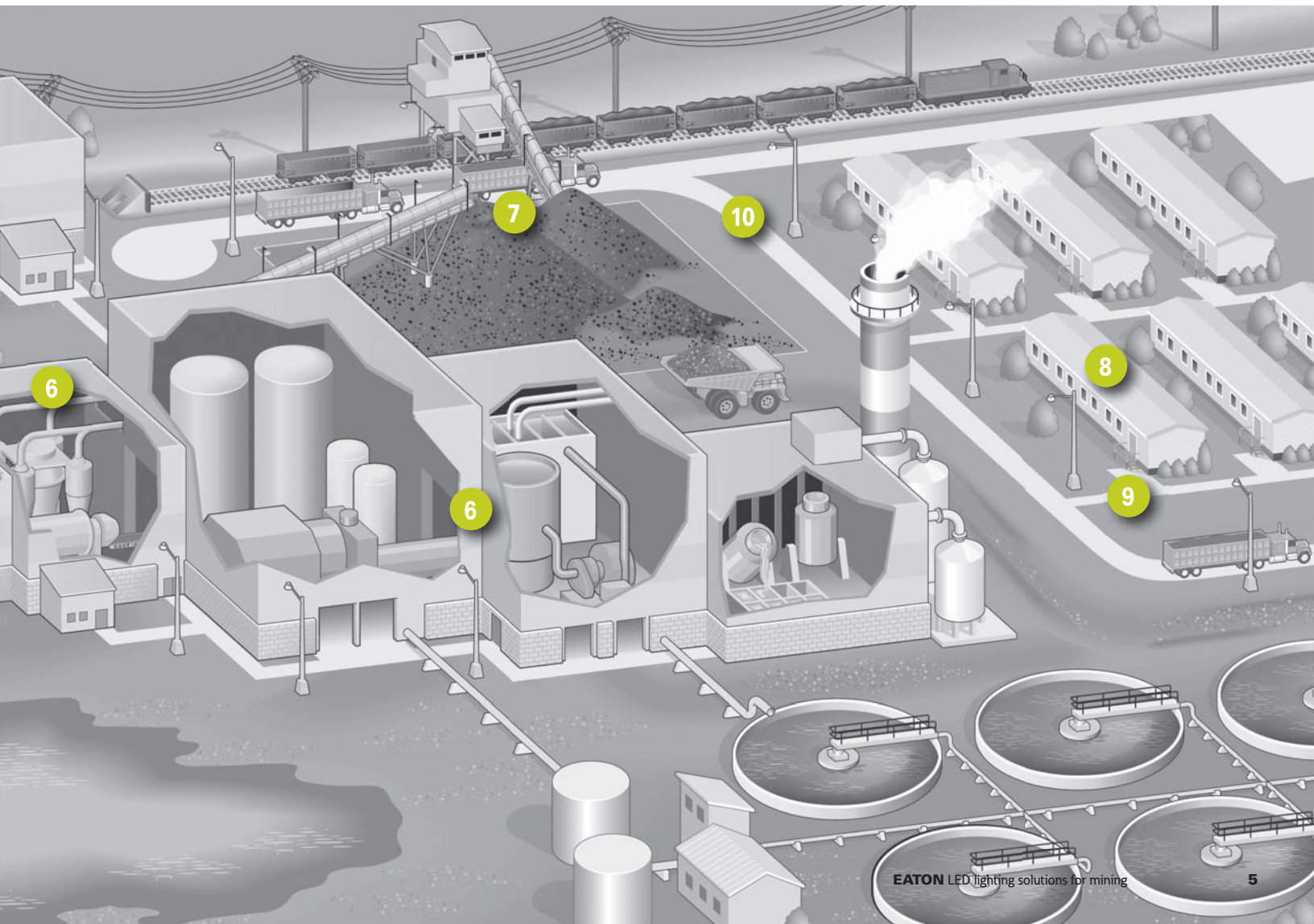
N2LPS Light-Pack LED Emergency Lighting

- Maintenance
- Warehouse
- Offices
- Processing areas
- Walkways
- Equipment



CCH UX Series LED Exit Lighting

- Maintenance
- Warehouse
- Offices
- Processing areas
- Walkways
- Equipment





high-output & durable

Crouse-Hinds

by **EATON**

Champ® Pro PFM Series Floodlights

Overview

Champ® Pro PFM Series Floodlights are designed to provide full-spectrum, crisp, white light.

Seven versions of the Champ PFM LED are available for pole and wall mounting, providing ideal solutions for a wide range of applications.

Certifications

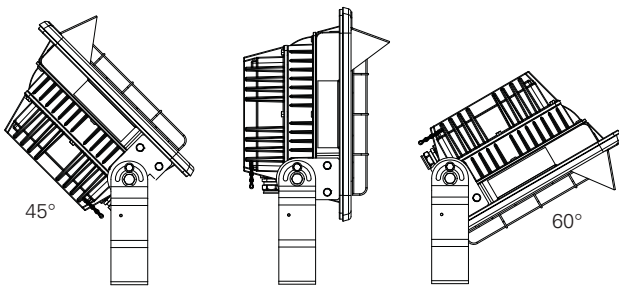
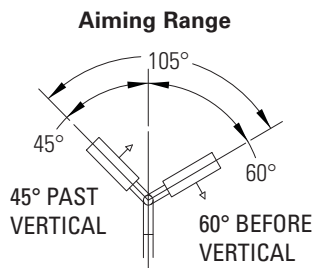
- UL1598
- UL1598A
- cUL
- NEMA 4X
- IP66
- DesignLights Consortium® approved for select models
- UL approved up to 40°C ambient

LED system

- High brightness LEDs
- Color temperature: warm and cool options available
- Advanced heat sink design ensures low LED junction temperature and sustained lumen performance
- Redundant drivers provide reliable operation in the harshest environments

Benefits

- Instant illumination and restrike
- Cold temperature operation; no warm-up time
- Available for wall and surface mounting
- Operating temperature range: -30°C to +55°C (-30°C to +40°C for 25L & 50L)
- Options include: Diffused glass or polycarbonate lens, bolt-on wire guard, bolt-on visor and slipfitter mounting adapters



Shown with optional dark sky visor and wire guard

Model Number	Equivalent HID Luminaire	Typical Energy Savings/Lifetime
PFM5L	100W-150W	Up to 65% reduction in energy costs and 60,000 hours of continuous operation!
PFM7L	150W-175W	
PFM9L	175W-250W	
PFM11L	250W-320W	
PFM13L	320W-400W	
PFM25L	750W-1000W	
PFM50L	1500W	



PFM25L

Crouse-Hinds

by **EATON**

Champ® Pro PVM Series LED Luminaires

Overview

Champ® Pro PVM Series Luminaires are designed to provide full-spectrum, crisp, white light with custom Type I, III and V distribution.

Nine versions of the PVM Series are available, providing ideal solutions for a wide range of applications.

Certifications

- UL1598
- UL1598A
- cUL
- NEMA 4X
- IP66
- DesignLights Consortium® approved for select models
- UL approved up to 55°C ambient

LED system

- High brightness LEDs
- Color temperature: warm and cool options available
- Advanced heat sink design ensures low LED junction temperature and sustained lumen performance
- Redundant drivers provide reliable operation in the harshest environments
- Custom optics provide IES Type I, III and V light patterns

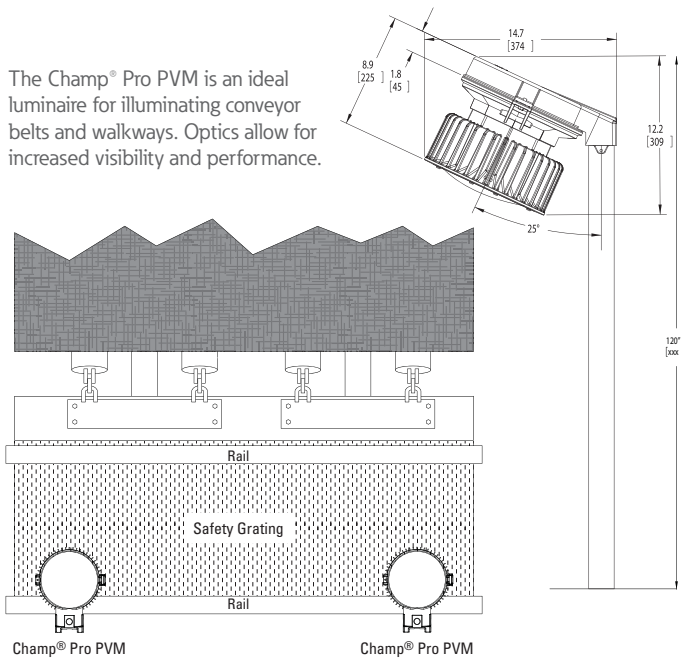
Benefits

- Instant illumination and restrike
- Cold temperature operation; no warm-up time
- Operating temperature range: -40°C to +55°C
- Optional occupancy sensor available for increased energy savings



targeted illumination

The Champ® Pro PVM is an ideal luminaire for illuminating conveyor belts and walkways. Optics allow for increased visibility and performance.



Model Number	Equivalent HID Luminaire	Typical Energy Savings/Lifetime
PVM3L	70W-100W	Up to 79% reduction in energy costs and 60,000 hours of continuous operation!
PVM5L	100W-150W	
PVM7L	150W-175W	
PVM9L	175W-250W	
PVM11L	250W-320W	
PVM13L	320W-400W	
PVM17L	400W-600W	
PVM21L	600W-750W	
PVM25L	750W-1000W	



PVM21L and 25L



PVM13L and 17L



PVM3L-11L

Crouse-Hinds

by **EATON**

Champ® FMV Series Floodlights

Overview

Champ® FMV Series Floodlights are hazardous location rated and are designed to provide full-spectrum, crisp, white light.

Five versions of the Champ FMV LED are available for pole and wall mounting, providing ideal solutions for a wide range of hazardous area applications.

Certifications

- Class I, Division 2, Groups A, B, C, D
- Class I, Zone 2
- Class II, Groups E, F, G
- Class III
- Type 4X, IP66
- UL844; UL1598; UL1598A
- CSA C22.2 No. 137

LED system

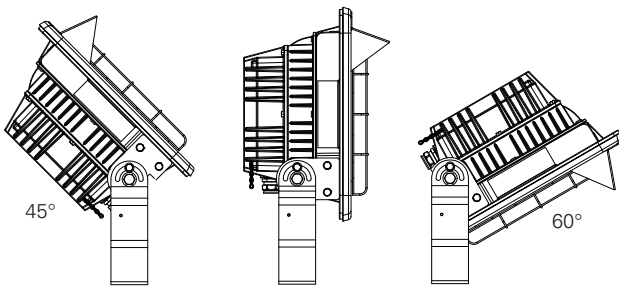
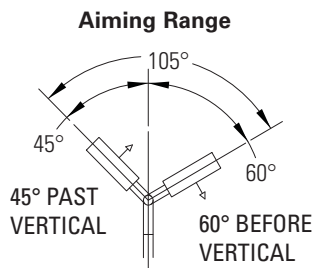
- High brightness LEDs
- Color temperature: warm and cool options available
- Advanced heat sink design ensures low LED junction temperature and sustained lumen performance
- Redundant drivers provide reliable operation in the harshest environments

Benefits

- Instant illumination and restrike
- Cold temperature operation; no warm-up time
- Available for wall and surface mounting
- Operating temperature range: -30°C to +55°C
- Options include: Diffused glass or polycarbonate lens, bolt-on wire guard, bolt-on visor and slipfitter mounting adapters



hazardous area rated



Shown with optional dark sky visor and wire guard

Model Number	Equivalent HID Luminaire	Typical Energy Savings/Lifetime
FMV5L	100W-150W	Up to 65% reduction in energy costs and 60,000 hours of continuous operation!
FMV7L	150W-175W	
FMV9L	175W-250W	
FMV11L	250W-320W	
FMV13L	320W-400W	



FMV9L

Crouse-Hinds

by **EATON**

Champ® VMV Series LED Luminaires

Overview

Champ® VMV Series Luminaires are designed to provide full-spectrum, crisp, white light with custom Type I, III and V distribution.

Nine versions of the VMV Series are available, providing ideal solutions for a wide range of hazardous area applications.

Certifications

- Class I, Division 2, Groups A, B, C, D
- Class I, Zone 2, Zone 21 tb
- Class II, Groups E, F, G
- Class III
- UL844; UL1598; UL1598A
- CSA C22.2 No. 137
- Type 4X, IP66
- IECEx/ATEX Certified
- DesignLights Consortium® approved for select models

LED system

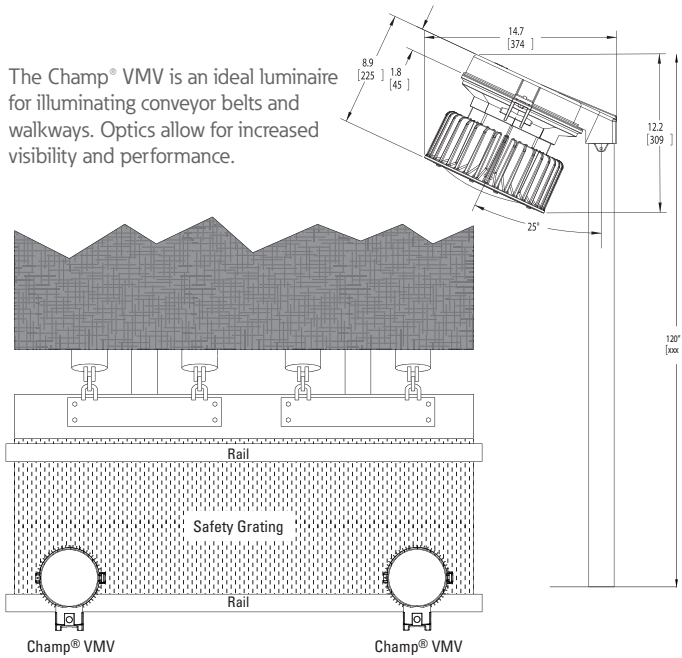
- High brightness LEDs
- Color temperature: warm and cool options available
- Advanced heat sink design ensures low LED junction temperature and sustained lumen performance
- Redundant drivers provide reliable operation in the harshest environments
- Custom optics provide IES Type I, III and V light patterns

Benefits

- Instant illumination and restrike
- Cold temperature operation; no warm-up time
- Operating temperature range: -40°C to +55°C

hazardous area rated

The Champ® VMV is an ideal luminaire for illuminating conveyor belts and walkways. Optics allow for increased visibility and performance.



Model Number	Equivalent HID Luminaire	Typical Energy Savings/Lifetime
VMV3L	70W-100W	Up to 79% reduction in energy costs and 60,000 hours of continuous operation!
VMV5L	100W-150W	
VMV7L	150W-175W	
VMV9L	175W-250W	
VMV11L	250W-320W	
VMV13L	320W-400W	
VMV17L	400W-600W	
VMV21L	600W-750W	
VMV25L	750W-1000W	



VMV21L and 25L



VMV13L and 17L



VMV3-11L



Crouse-Hinds

by **EATON**

Vaporgard™ Pro LED Series Luminaires

Overview

Vaporgard™ LED Luminaires are suitable for lower mounting heights, confined spaces, tunnels or utility rooms.

This fixture delivers similar light levels to a 200W incandescent and is available in cool or warm white light.

Certifications

- UL1598
- UL1598A
- cUL
- NEMA 4X
- IP66
- DesignLights Consortium® approved for select models

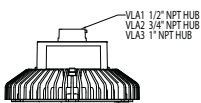
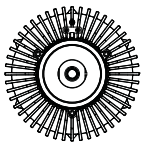
LED system

- High brightness LEDs
- Color temperature: warm and cool options available
- Advanced heat sink design ensures low LED junction temperature and sustained lumen performance
- Redundant drivers provide reliable operation in the harshest environments

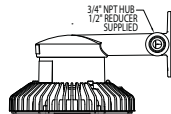
Benefits

- Instant illumination and restrike
- Cold temperature operation; no warm-up time
- 22W LED system can save up to 85% in energy costs
- Operating temperature range: -30°C to +55°C

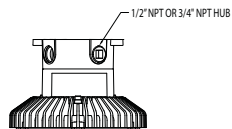
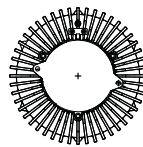
Typical Mounting Options



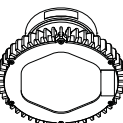
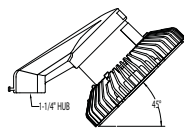
Pendant



Wall



Ceiling



Stanchion

Model Number	Equivalent Luminaire	Typical Energy Savings/Lifetime
P2LC/UNV1		
P2LW/UNV1	50W HID	Up to 85% reduction in energy costs and 60,000 hours of continuous operation!
P2LC/DC1	or 100-200W incandescent	
P2LW/DC1	incandescent	



Crouse-Hinds

by **EATON**

LL48 Linear LED Luminaires

Overview

LL48 LED Luminaires allow for the replacement of existing harsh and hazardous industrial fluorescent fixtures.

Used for general lighting in indoor and outdoor areas with low mounting heights or confined spaces, such as aisles, tunnels and catwalks, over doorways or entries, landing areas and utility rooms.

Certifications

- Class I, Division 2, Groups A, B, C, D
- NEMA 4X
- IP66
- UL Listed and CSA Certified
- Marine and Wet Locations

Design features

- Designed to match the footprint of a traditional linear fluorescent fixture
- Same light pattern and lumen output at a fraction of the cost versus fluorescent

Benefits

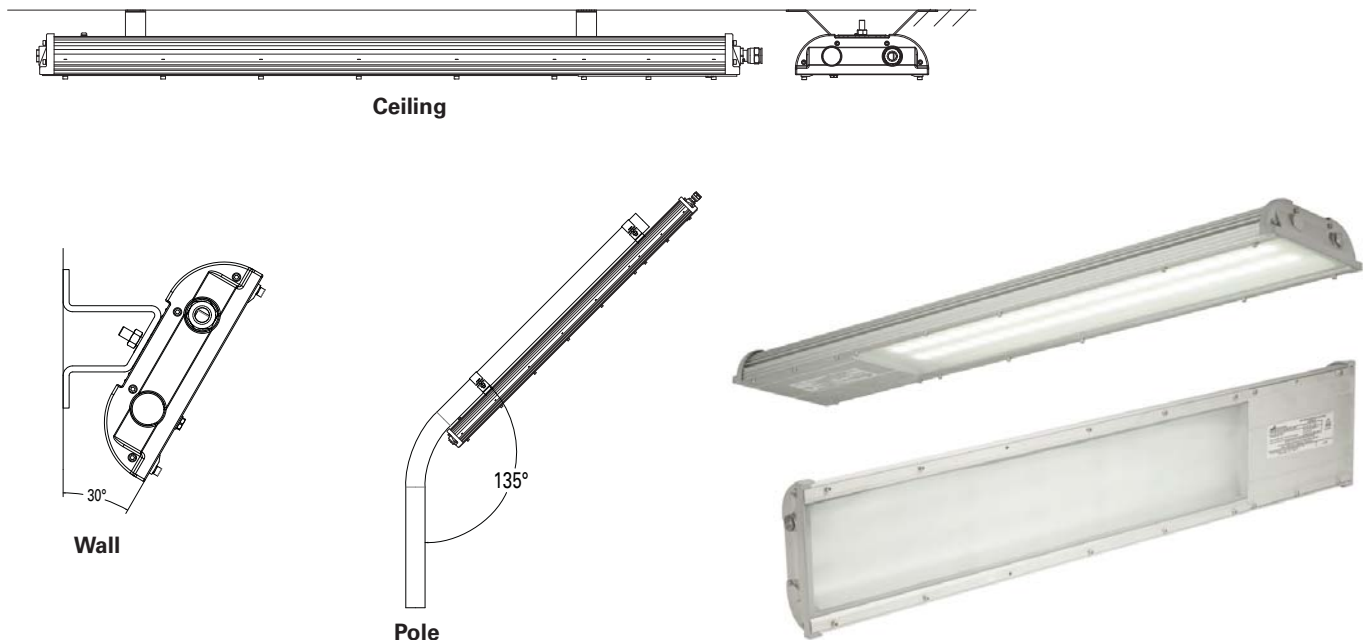
- Linear LEDs can withstand extreme temperatures and vibration that would cause traditional technologies to fail
- Operating temperature range: -35°C to +55°C
- Versatile mounting options; uses the same mounts as eLLK/nLLK Series



compact & low profile

Model Number	Equivalent Luminaire	Typical Energy Savings/Lifetime
LL48-60W-765/-F-1M	2x58W fluorescent	Up to 50% reduction in energy costs and 60,000 hours of continuous operation!
LL48-60W-765/-C-1M		
LL48-60W-765/-F-1N		
LL48-60W-765/-C-1N		

Typical Mounting Options





modular design

Cooper Lighting

by **EATON**

Vaportite LED Luminaires

Overview

The Vaportite LED Series is an energy-efficient industrial vapor-tight fixture that features rugged and durable construction. The Vaportite LED incorporates a full metal fixture liner inside a reinforced fiberglass housing with a high impact diffuser. This Vaportite Series is suitable for interior and exterior applications and can be surface or chain mounted.

Design features & benefits

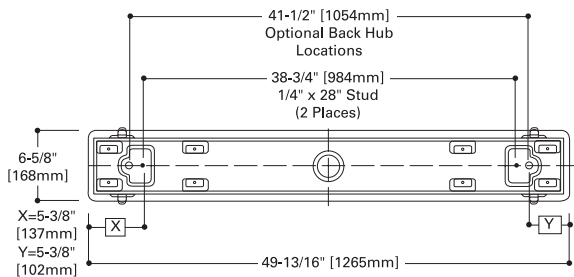
- Ideal for cold storage applications
- LEDs available in 3500K or 4000K with 85 CRI
- Wet location rated
- Narrow and wide distributions
- 2' and 4' housings
- Modular design with quick disconnects
- 0-10V dimming driver is standard

Certifications

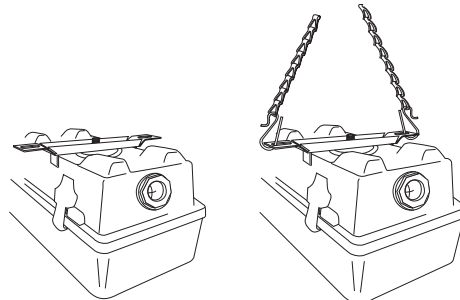
- DesignLights Consortium® approved for select models*

Model Number	Equivalent HID Luminaire	Typical Energy Savings/Lifetime
* VT-LD2-58DR-UNV-L840-CD2-WL-U	150W metal halide	60%
VT-LD2-30DR-UNV-L840-CD1-WL-U	100W metal halide	70%

Dimensions

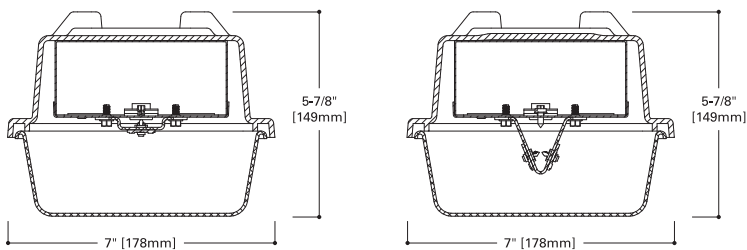


Typical mounting options



Mounting brackets

Chain hanging set



Cooper Lighting

by **EATON**

Encounter™ LED Series

Overview

The Metalux Encounter™ Series redefines ambient lighting by blending contemporary styling with Cooper Lighting's proprietary WaveStream™ technology. The result is exceptional performance and superior energy savings – all at an affordable price. The highly efficient LED system with advanced optical design delivers optimal light uniformity, resulting in soft, natural light for superior visual comfort. Encounter is a perfect balance of form and function, making it an ideal choice for commercial interiors.

Certifications

- cULus – Damp Location Listed
- IC Rated
- RoHS Listed
- LM79/LM80 Compliant
- DesignLights Consortium® Qualified
- NOM Compliant
- CA Title 24

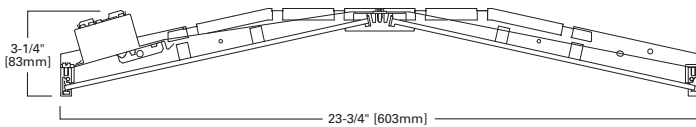
Design features & benefits

- Available in 2' x 2', 2' x 4', 1' x 4' and 1' x 2' recessed versions
- Leverages our patented WaveStream Technology with AccuAim™ optics
- Advanced optical control with optimal illumination
- High performance efficacy up to 105 lumens per watt
- Over 45% energy savings when compared to fluorescent troffers
- Three CCT options: 3000K, 3500K and 4000K at 85 CRI
- Five stocked lumen packages offered, along with multiple MTO options
- Standard 0-10V continuous dimming driver
- 2x2: L85 at 60,000 hours; 2x4: L78 at 60,000 hours with 5 year warranty

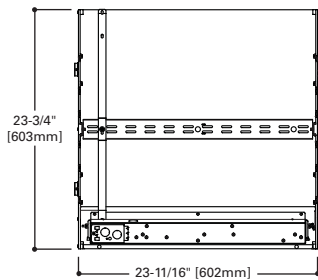


unmatched performance

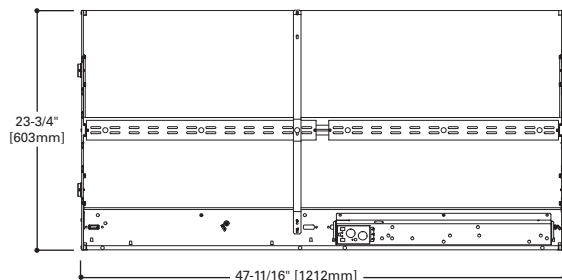
Dimensions and mounting options



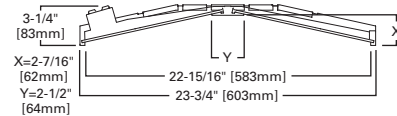
2 x 2



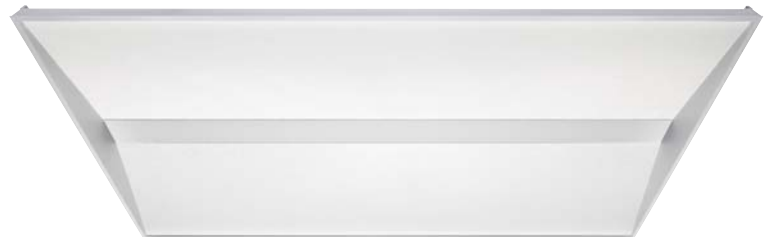
2 x 4



Lamp configurations



Model Number	Equivalent Fluorescent Luminaire	Typical Energy Savings/Lifetime
22EN-LD1-34-UNV-L835-CD1-U	Parabolic troffer with (2) U6T8 lamps	45%





efficiency & value

Crouse-Hinds

by **EATON**

IHB Series LED High Bay Luminaires

Overview

IHB Series LED Luminaires are the perfect replacement for 400W HID and 4-6 lamp T5HO fluorescent high bay fixtures. The IHB is designed for locations requiring continuous and consistent light levels and areas that are difficult to maintain.

Certifications

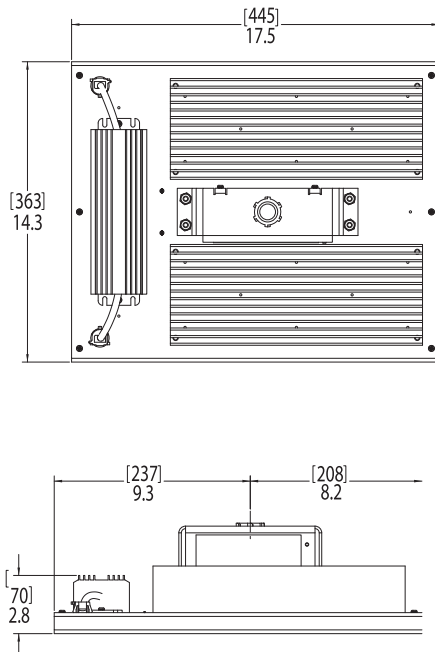
- Meets UL1598 and cUL construction requirements
- DesignLights Consortium® approved for select models

Design features & benefits

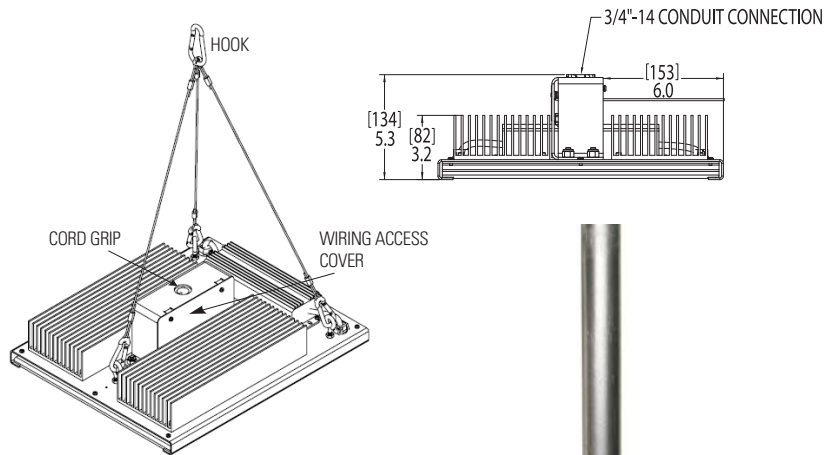
- High efficiency serviceable drivers
- Powder coated white painted sheet metal body
- Mounting bracket for 3/4" pendant mount conduit or aircraft cable hook/cord mounting option
- Available with optional occupancy sensor
- Aluminum heat sinks for superior thermal management
- Two discrete LED boards for uniform illumination
- Tempered and clear glass lens cover

Model Number	Equivalent HID Luminaire	Typical Energy Savings/Lifetime
IHB13L2A/UNV1	400W	Up to 69% reduction in energy costs and 60,000 hours of continuous operation!

Dimensions



Typical mounting options





Cooper Lighting

by **EATON**

HB LED Series High Bay Luminaires

Overview

The HB LED is an outstanding value for a wide variety of applications and mounting heights. Precision designed optics, multiple distributions, lumen outputs and color temperatures make the energy-efficient HB LED the ideal solution for high bay applications.

Certifications

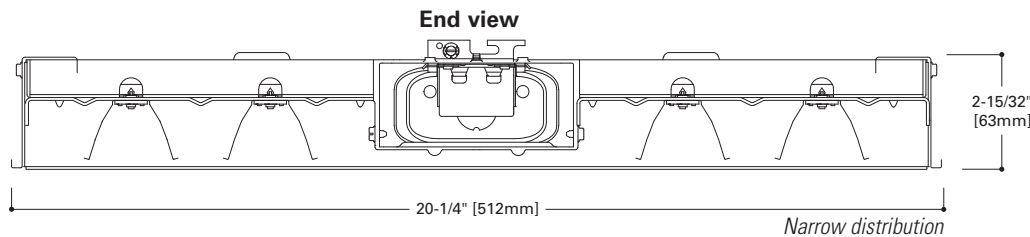
- cULus - Damp Location Listed
- 50° ambient rating
- RoHS Compliant
- DesignLights Consortium® approved for select models

Design features & benefits

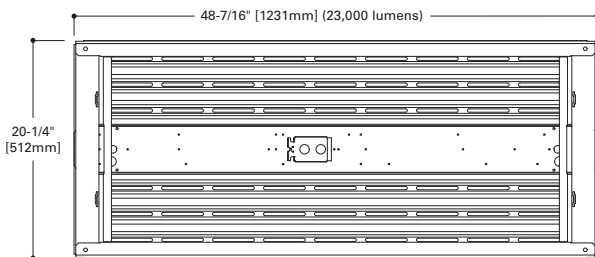
- Three lumen package options (9000, 18,000 and 24,000)
- Two correlated color temperatures (4000K and 5000K)
- 80+ CRI
- L70 at 50,000 hours
- High efficacy with 90+ LPW
- Tool-less driver access for easy maintenance
- Precision optics – general and wide distribution
- Optional 0-10V dimming driver (15% - 100%)
- Multiple lens and wire guard options
- 5 year warranty

Model Number	Equivalent HID Luminaire	Typical Energy Savings/Lifetime
HBLED-LD2-9-W-UNV-L850-ED1-U	175W metal halide	40%
HBLED-LD2-18-W-UNV-L850-ED2-U	250W metal halide	30%
HBLED-LD2-24-W-UNV-L850-ED3-U	400W metal halide	40%

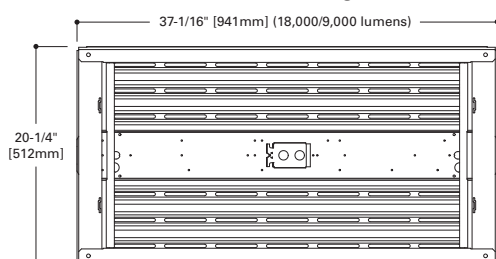
Dimensions



4' Housing



3' Housing





Crouse-Hinds

by **EATON**

Endure™ LED Wall or Ceiling

Overview

The IP66, stainless steel Endure™ LED Wall Pack features the patented, modular LED LightBAR™ technology.

The Endure LED Luminaire is available with one or two LightBAR configurations in Type II or Type V distributions.

Certifications

- UL1598
- cUL
- IP66

Design Features

- 4 point mounting for quick wall or ceiling mounting
- 50,000+ hour life with >70% lumen maintenance
- 98 lumens per watt; 0.9 power factor
- -30°C to 50°C ambient temperature rating
- Designed for indoor or outdoor use

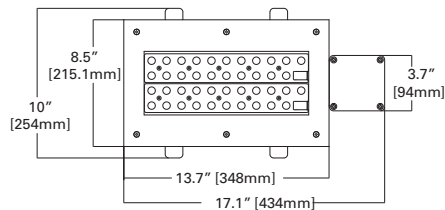
Benefits

- Optics: Type V for general illumination or Type II for narrow illumination. Ideal for conveyors or walkways.
- Controlled distribution of light means far less light loss
- Available in 316 stainless steel
- Glass or polycarbonate lens options available

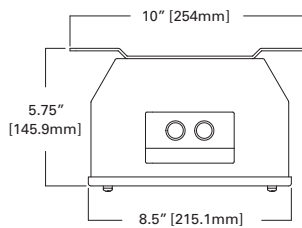
Model Number	Equivalent HID Luminaire	Typical Energy Savings/Lifetime
FM1 B01	50W	59%
FM1 B02	70W	43%

Dimensions

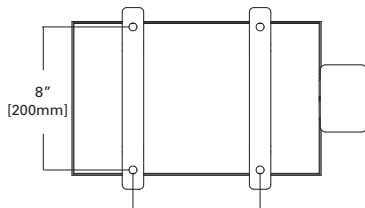
Top View (2 LightBAR Configuration Shown)



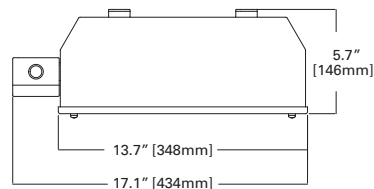
End View



Mounting



Side View



Cooper Lighting

by **EATON**

CrossTour MAXX Wall Pack/Area Site

Overview

The Crosstour™ MAXX LED Wall Pack Series Luminaires provide low profile architectural style with super bright, energy-efficient LEDs. The rugged die cast aluminum construction, back box with secure lock hinges, stainless steel hardware along with a sealed and gasketed optical compartment make Crosstour impervious to contaminants.

Certifications

- UL/cUL Wet Location Listed
- LM79/LM80 Compliant
- RoHS Compliant
- ARRA Compliant
- NOM Compliant Models
- 3G Vibration Tested
- UL924 Listed (CBP Models)
- IP66 Rated
- Lighting Facts® Registered
- DesignLights Consortium® approved for select models

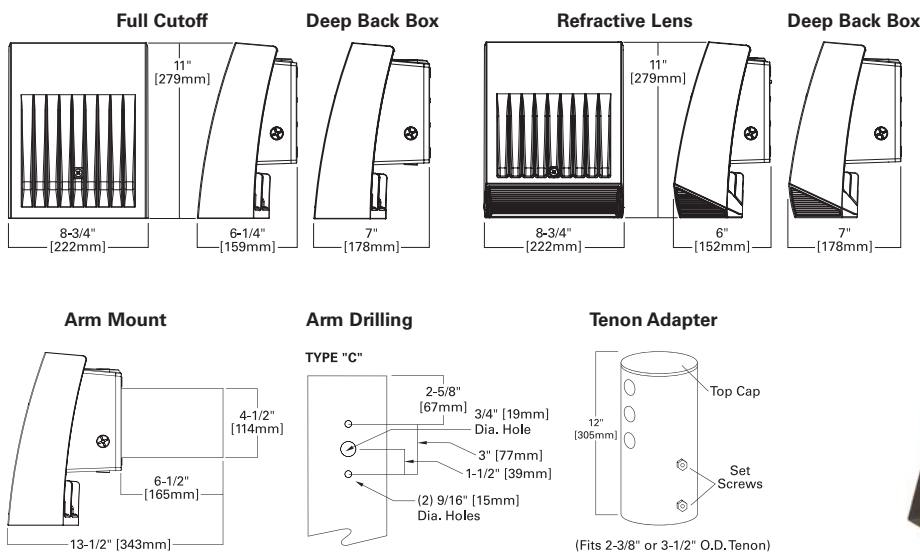
Design features & benefits

- Wall, inverted or pole mount. Energy saving replacement up to 400W HID
- Patent pending, heavy duty construction, maximum LED performance
- Die cast aluminum, low profile design with hinged removable door
- 50W and 85W full cutoff and refractive lens models
- Sealed LED optical chamber with 5000K or 3500K (CCT) LEDs
- Rated for -40°C to 40°C. High ambient 50°C available
- Options include: pole mount arm, dimming and occupancy sensors
- Emergency egress battery pack
- 5 year warranty



Model Number	Equivalent HID Luminaire	Typical Energy Savings/Lifetime
XTOR5A XTOR5ARL	250W	83%
XTOR9A XTOR9ARL	400W	82%

Dimensions and mounting options





high performance

Cooper Lighting

by **EATON**

NVN NAVION Roadway LED Luminaire

Overview

The NAVION Roadway LED Luminaire combines world-class optical performance, energy efficiency and outstanding versatility to meet the requirements of any roadway application. Patented AccuLED™ optics technology delivers unparalleled uniformity and budget-beating operating costs for municipal streets and highways. UL/cUL Listed for wet locations, IP66 enclosure rating available.

Design features & benefits

- Tool-less entry; hinged removable power door for easy maintenance
- 10kV surge protection
- Suitable for operation in -40°C to 40°C environments
- L90 60,000 hours at 40°C
- 3G vibration rated
- IP66 LED panels
- 5 year warranty

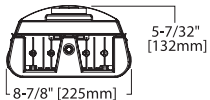
Certifications

- UL and cUL Wet Location Listed
- IP66 LED Panels
- 3G Vibration Rated
- ARRA Compliant
- ISO9001

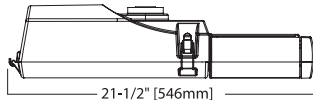
Model Number	Equivalent HID Luminaire	Typical Energy Savings/Lifetime
NVN-AA-01-E-U-T3A-10K-4-AP	100W	70%
NVN-AA-02-E-U-T3A-10K-4-AP	200W	49%
NVN-AA-04-E-U-T3A-10K-4-AP	350W	42%

Dimensions

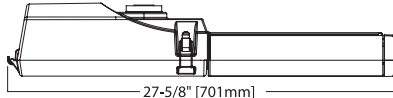
1, 2 or 3 LED Squares



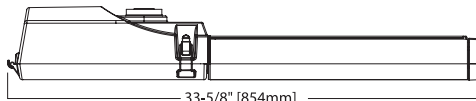
1 LED Square



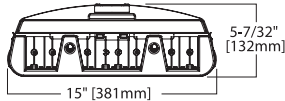
2 LED Squares



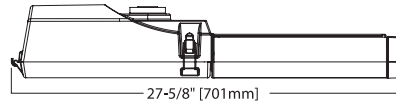
3 LED Squares



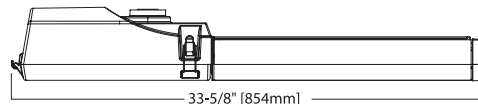
4 or 6 LED Squares



4 LED Squares



6 LED Squares



Cooper Lighting

by **EATON**

XNV LED Roadway Luminaire



economical design

Overview

The XNV LED Roadway Luminaire combines high-performance optics and a simple, economical design to deliver uniform illumination, low maintenance costs and rugged, user-friendly construction. It is designed for years of worry-free operation and is ideal for retrofits where a quick payback is as important as lighting performance.

Design features & benefits

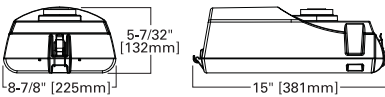
- Tool-less entry; hinged removable power door for easy maintenance
- 10kV surge protection
- Suitable for operation in -40°C to 40°C environments
- L90 60,000 hours at 40°C
- 3G vibration rated
- IP66 LED panels
- 5 year warranty

Certifications

- UL and cUL Wet Location Listed
- IP66 Light Square
- 3G Vibration Rated
- ARRA Compliant
- UL 1449 Surge Protection
- ISO 9001

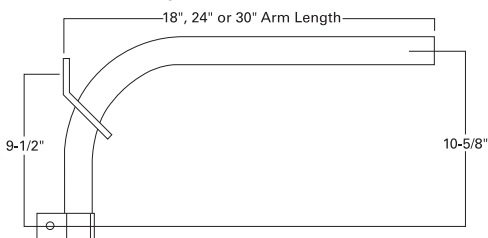
Model Number	Equivalent HID Luminaire	Typical Energy Savings/Lifetime
XNV-AC-01-E-U-2-10K-4-AP		
XNV-AC-01-E-U-3-10K-4-AP	100W	70%
XNV-AC-01-E-U-5-10K-4-AP		

Dimensions and mounting options



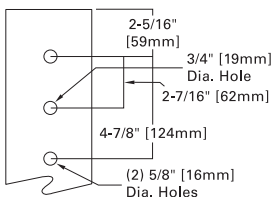
Optional wood pole pipe arm

18", 24" or 30" Mounting Bracket



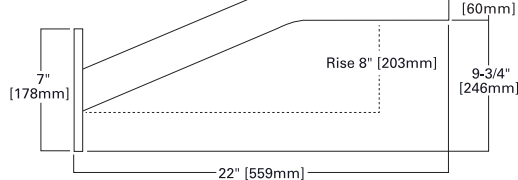
arm drilling

TYPE "M"



Optional mounting arm

22" Upsweep Arm





compact & reliable

Crouse-Hinds

by **EATON**

Light-Pak™ N2LPS LED Emergency Lighting System

Overview

Light-Pak™ N2LPS LED Emergency Lighting Systems are used to provide reliable illumination for egress areas, to illuminate machinery or panels during failure or interruption of power to the normal lighting system. Also used where moisture, dirt, dust or corrosion will limit the life and reliability of ordinary emergency lighting systems

Certifications

- NEC/CEC:
Class I, Division 2, Groups B, C, D, Zone 2; Class II, Division 1, Groups F, G
- UL Standards: 1598A; 924; 844
- CSA Standards:
C22.2 No. 141-M1985;
C22.2 No. 137-M1981
- Life Safety Code NFPA101® – Section 5-9
- Marine Wet Locations Suitability
- Type 4X

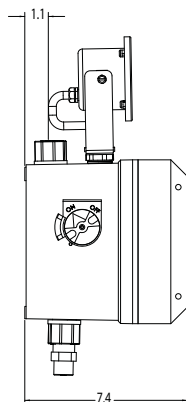
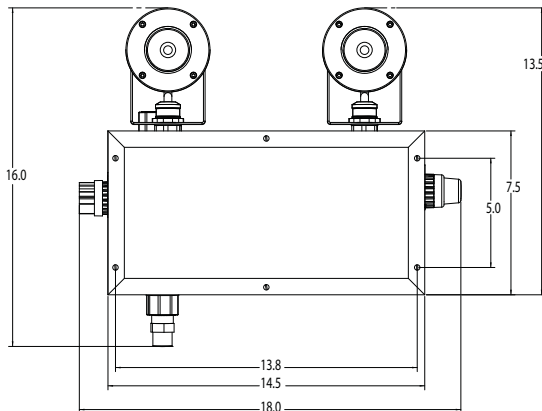
LED System

- Compact, factory-assembled luminaire featuring LED lamps for improved lumen performance and lifetime
- Durable and marine rated LED lamp head assemblies provide protection against water ingress, corrosion and impact

Benefits

- High temperature rated nickel cadmium battery option available for reliable operation up to 55°C ambient
- Solid state battery charger for long life and reliable battery operation prevents deep discharge by automatically disconnecting the battery from the luminaire
- Factory-installed "push-to-test" button
- Self-test, monitoring and diagnostics reduce costly maintenance checks
- Remote luminaire head assemblies (one or two) are available for mounting of luminaire heads away from main power system

Dimensions



Model Number	Description
N2LPS	3 hour battery life
N2RF	3 hour battery life, remote lamp heads



Crouse-Hinds

by **EATON**

CCH UX Series Exit Lighting

Overview

The CCH UX NEMA 4X Exit Sign is designed for the most severe environments; the exit sign will provide maximum performance against rain, moisture, cold, corrosives and dust. Universal configurations (single and double face) and universal mounting provide the ease of one product specifying for any job.

Certifications

- Class I, Division 2, Groups A, B, C, D, T5 lamp rating with HAZ option
- NEMA 4X Listed with dual voltage input 120/277 VAC, 60 Hz
- UL FTBR Listed when specified with the "2C" option
- NSF National Sanitation Foundation/Splash Zone (for food processing)
- Suitable for wet and damp locations; meets most state and local codes

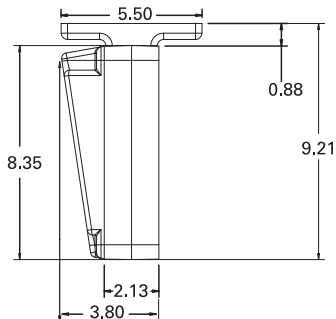
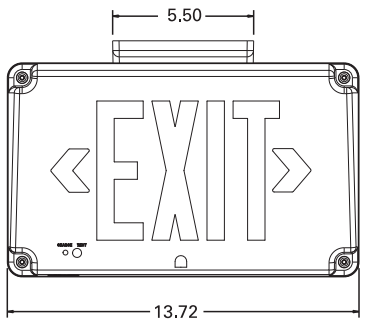
Design features & benefits

- Die cast aluminum housing
- Can be ceiling, wall or end mounted
- Watchguard EMS self-diagnostic system
- Universal configurations (single and double face) and universal mounting provide the ease of one product specifying for any job
- Self-diagnostics, photocell testing, LED technology and nickel cadmium battery provide long life and low maintenance
- Injection-molded, clear, polycarbonate shield not only provides protection against moisture and rain, but also vandalism
- Four Torx® head tamper-proof screws with center pin reject provide additional vandal-proof security



reliable anywhere

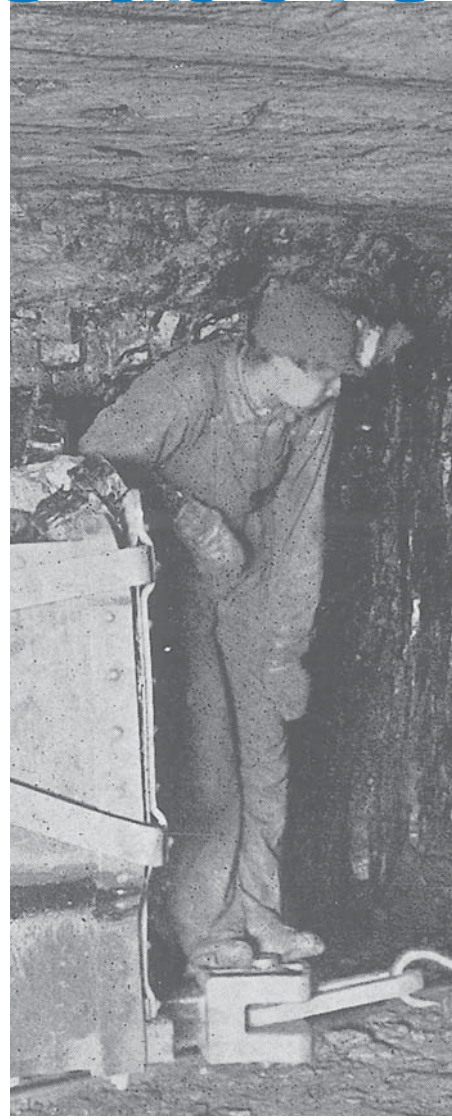
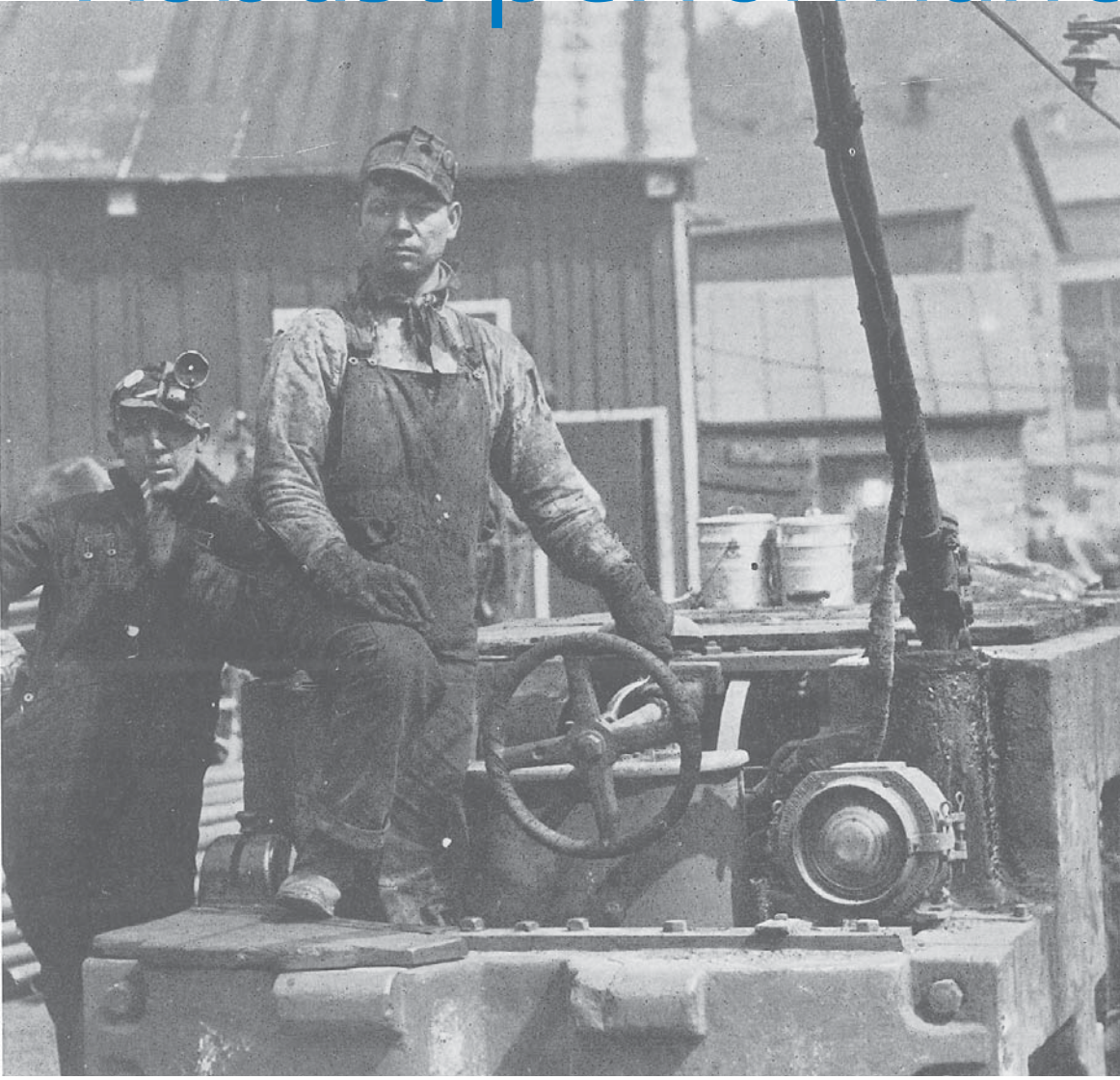
Dimensions



Model Number	Description
CCH UX60	Single sided exit sign (AC only)
CCH UX70	Single sided exit sign (self-diagnostic with battery)



Robust performance above



over 100 years

of proven solutions

and below ground



Crouse-Hinds underground mine train headlight, patented March 23, 1903

Eaton's Cooper Lighting business

Eaton's Cooper Lighting business headquarters

1121 Highway 74 South
Peachtree City, GA 30269

(770) 486-4800

www.cooperlighting.com

Canada sales

5925 McLaughlin Road
Mississauga, Ontario L5R 1B8

(905) 501-3000

FAX: (905) 501-3172

Eaton's Crouse-Hinds business

U.S. (global headquarters): Eaton's Crouse-Hinds business

1201 Wolf Street
Syracuse, NY 13208

(866) 764-5454

FAX: (315) 477-5179

FAX Orders Only:

(866) 653-0640

crouse.customerctr@cooperindustries.com

www.crouse-hinds.com

For more information:

If further assistance is required, please contact an authorized Eaton Distributor, Sales Office, or Customer Service Department.

Canada

Toll Free: 800-265-0502

FAX: (800) 263-9504

FAX Orders only: (866) 653-0645

Mexico/Latin America/Caribbean

52-555-804-4000

FAX: 52-555-804-4020

mxmercadotecnia@cooperindustries.com

Europe (Germany)

49 (0) 6271 806-500

49 (0) 6271 806-476

sales.CCH.de@cooperindustries.com

Middle East (Dubai)

971 4 4272500

FAX: 971 4 4298521

sales.CCH.me@cooperindustries.com

Singapore

65-6645-9888

FAX: 65-6297-4819

chsi-sales@cooperindustries.com

China

86-21-2899-3600

FAX: 86-21-2899-4055

cchsales@cooperindustries.com

Korea

82-2-3484-6783

82-2-3484-6778

CCHK-sales@cooperindustries.com

Australia

61-2-8787-2777

FAX: 61-2-9609-2342

CEASales@cooperindustries.com

India

91-124-4683888

FAX: 91-124-4683899

cchindia@cooperindustries.com

Eaton

1000 Eaton Boulevard
Cleveland, OH 44122
United States
Eaton.com

© 2014 Eaton
All Rights Reserved
Printed in USA
Publication No. 5098-0214
February 2014

Eaton is a registered trademark.

All other trademarks are property of their respective owners.