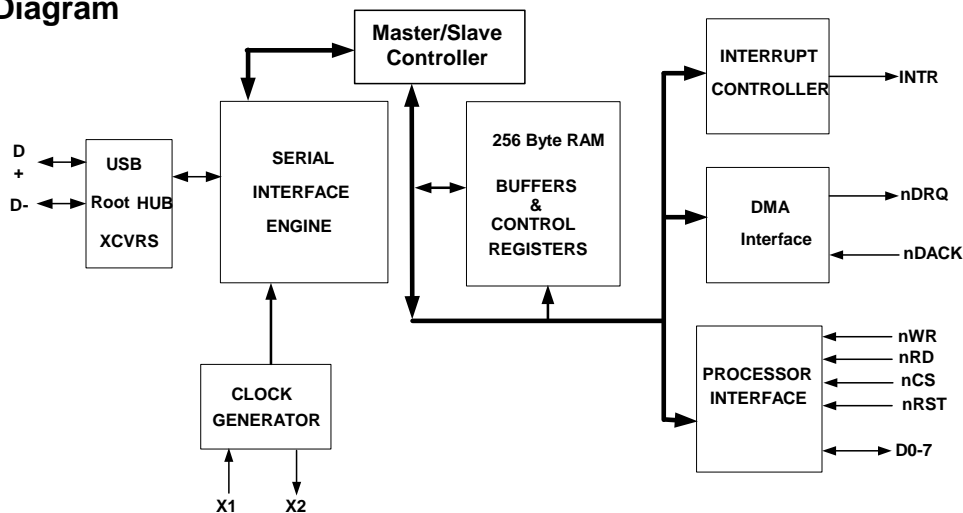


Features

- First USB Host/Slave controller for embedded systems in the market with a standard microprocessor bus interface
- Supports both full speed (12 Mbps) and low speed (1.5 Mbps) USB transfer in both master and slave modes
- Conforms to USB Specification 1.1 for full- and low speed
- Operates as a single USB host or slave under software control
- Automatic detection of either low- or full speed devices
- 8-bit bidirectional data, port I/O (DMA supported in slave mode)
- On-chip SIE and USB transceivers
- On-chip single root HUB support
- 256-byte internal SRAM buffer
- Ping-pong buffers for improved performance
- Operates from 12 or 48 MHz crystal or oscillator (built-in DPLL)
- 5 V-tolerant interface
- Suspend/resume, wake up, and low-power modes are supported
- Auto-generation of SOF and CRC5/16
- Auto-address increment mode, saves memory READ/WRITE cycles
- Development kit including source code drivers is available
- 3.3 V power source, 0.35 micron CMOS technology
- Available in 48-pin TQFP package

Logic Block Diagram



Functional Description

The SL811HS is an Embedded USB Host/Slave Controller capable of communicating in either full speed or low speed. The SL811HS interfaces to devices such as microprocessors, microcontrollers, DSPs, or directly to a variety of buses such as ISA, PCMCIA, and others. The SL811HS USB Host Controller conforms to USB Specification 1.1.

The SL811HS incorporates USB Serial Interface functionality along with internal full or low speed transceivers. The SL811HS supports and operates in USB full speed mode at 12 Mbps, or in low speed mode at 1.5 Mbps. When in host mode, the SL811HS is the master and controls the USB bus and the devices that are connected to it. In peripheral mode, otherwise known as a slave device, the SL811HS operates as a variety of full- or low speed devices.

The SL811HS data port and microprocessor interface provide an 8-bit data path I/O or DMA bidirectional, with interrupt support to allow easy interface to standard microprocessors or microcontrollers such as Motorola or Intel CPUs and many others. The SL811HS has 256-bytes of internal RAM which is used for control registers and data buffer.

The available lead-free package is a 48-pin (SL811HST-AXC) package. All packages operate at 3.3 VDC. The I/O interface logic is 5 V-tolerant.

Errata: For information on silicon errata, see ["Errata" on page 33](#). Details include trigger conditions, devices affected, and proposed workaround.

Contents

| | | | |
|---|-----------|--|-----------|
| Functional Overview | 3 | Ordering Information | 30 |
| Data Port, Microprocessor Interface | 3 | Ordering Code Definitions | 30 |
| DMA Controller (slave mode only) | 3 | Package Diagram | 31 |
| Interrupt Controller | 3 | Acronyms | 32 |
| Buffer Memory | 4 | Document Conventions | 32 |
| PLL Clock Generator | 5 | Units of Measure | 32 |
| USB Transceiver | 6 | Errata | 33 |
| SL811HS Registers | 6 | Part Numbers Affected | 33 |
| Physical Connections | 21 | SL811HS/SL811 Qualification Status | 33 |
| 48-Pin TQFP Physical Connections | 21 | SL811HS/SL811 Errata Summary | 33 |
| Electrical Specifications | 24 | Document History Page | 37 |
| Absolute Maximum Ratings | 24 | Sales, Solutions, and Legal Information | 39 |
| Recommended Operating Conditions | 24 | Worldwide Sales and Design Support | 39 |
| External Clock Input Characteristics (X1) | 24 | Products | 39 |
| DC Characteristics | 25 | PSoC® Solutions | 39 |
| USB Host Transceiver Characteristics | 25 | Cypress Developer Community | 39 |
| Bus Interface Timing Requirements | 26 | Technical Support | 39 |

Functional Overview

Data Port, Microprocessor Interface

The SL811HS^[1] microprocessor interface provides an 8-bit bidirectional data path along with appropriate control lines to interface to external processors or controllers. Programmed I/O or memory mapped I/O designs are supported through the 8-bit interface, chip select, read and write input strobes, and a single address line, A0.

Access to memory and control register space is a simple two step process, requiring an address Write with A0 = '0', followed by a register/memory Read or Write cycle with address line A0 = '1'.

In addition, a DMA bidirectional interface in slave mode ^[2] is available with handshake signals such as nDRQ, nDACK, nWR, nRD, nCS and INTRQ.

The SL811HS WRITE or READ operation terminates when either nWR or nCS goes inactive. For devices interfacing to the SL811HS that deactivate the Chip Select nCS before the Write nWR, the data hold timing must be measured from the nCS and is the same value as specified. Therefore, both Intel®- and Motorola-type CPUs work easily with the SL811HS without any external glue logic requirements.

DMA Controller (slave mode only)

In applications that require transfers of large amounts of data such as scanner interfaces, the SL811HS provides a DMA interface. This interface supports DMA READ or WRITE transfers to the SL811HS internal RAM buffer, it is done through the microprocessor data bus via two control lines (nDRQ - Data Request and nDACK - Data Acknowledge), along with the nWR line and controls the data flow into the SL811HS. The SL811HS has a count register that allows selection of programmable block sizes for DMA transfer. The control signals, both nDRQ and nDACK, are designed for compatibility with standard DMA interfaces.

Interrupt Controller

The SL811HS interrupt controller provides a single output signal (INTRQ) that is activated by a number of programmable events that may occur as result of USB activity. Control and status registers are provided to allow the user to select single or multiple events, which generate an interrupt (assert INTRQ) and let the user view interrupt status. The interrupts are cleared by writing to the Interrupt Status Register.

Notes

1. **Errata:** In a noisy environment, the SL811HS has the potential to occasionally miss a packet. Please refer to [Errata on page 33](#) for details on errata and suggested work-around.
2. **Errata:** The DMA interface can be unreliable in slave mode. Please refer to [Errata on page 33](#) for details on errata and suggested work-around.

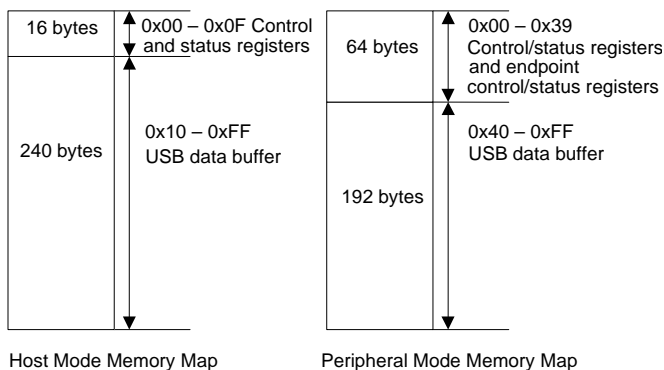
Buffer Memory

The SL811HS contains 256 bytes of internal memory used for USB data buffers, control registers, and status registers. When in master mode (host mode), the memory is defined where the first 16 bytes are registers and the remaining 240 bytes are used for USB data buffers. When in slave mode (peripheral mode), the first 64 bytes are used for the four endpoint control and status registers along with the various other registers. This leaves 192 bytes of endpoint buffer space for USB data transfers.

Access to the registers and data memory is through the 8-bit external microprocessor data bus, in either indexed or direct addressing. Indexed mode uses the Auto Address Increment mode described in [Auto Address Increment Mode \[3\]](#), where direct addressing is used to READ/WRITE to an individual address.

USB transactions are automatically routed to the memory buffer that is configured for that transfer. Control registers are provided so that pointers and block sizes in buffer memory are determined and allocated.

Figure 1. Memory Map



Auto Address Increment Mode [3]

The SL811HS supports auto increment mode to reduce READ and WRITE memory cycles. In this mode, the microcontroller needs to set up the address only once. Whenever any subsequent DATA is accessed, the internal address counter advances to the next address location.

Auto Address Increment Example. To fill the data buffer that is configured for address 10h, follow these steps:

1. Write 10h to SL811HS with A0 LOW. This sets the memory address that is used for the next operation.
2. Write the first data byte into address 10h by doing a write operation with A0 HIGH. An example is a Get Descriptor; the first byte that is sent to the device is 80h (bmRequestType) so you would write 80h to address 10h.
3. Now the internal RAM address pointer is set to 11h. So, by doing another write with A0 HIGH, RAM address location 11h is written with the data. Continuing with the Get Descriptor example, a 06h is written to address 11h for the bRequest value.
4. Repeat Step 3 until all the required bytes are written as necessary for a transfer. If auto-increment is not used, you write the address value each time before writing the data as shown in Step 1.

The advantage of auto address increment mode is that it reduces the number of required SL811HS memory READ/WRITE cycles to move data to/from the device. For example, transferring 64 bytes of data to/from SL811HS, using auto increment mode, reduces the number of cycles to 1 address WRITE and 64 READ/WRITE data cycles, compared to 64 address writes and 64 data cycles for random access.

Note

3. **Errata:** The auto-increment feature can intermittently fail, causing the RAM location to be corrupted or the read buffer to provide incorrect data to the system processor. Please refer to [Errata on page 33](#) for details on errata and suggested work-around.

PLL Clock Generator

Either a 12 MHz [4] or a 48 MHz external crystal is used with the SL811HS [5]. Two pins, X1 and X2, are provided to connect a low cost crystal circuit to the device as shown in Figure 2 and Figure 2. Use an external clock source if available in the application instead of the crystal circuit by connecting the source directly to the X1 input pin. When a clock is used, the X2 pin is not connected.

When the CM pin is tied to a logic 0, the internal PLL is bypassed so the clock source must meet the timing requirements specified by the USB specification.

Figure 2. Full Speed 48 MHz Crystal Circuit

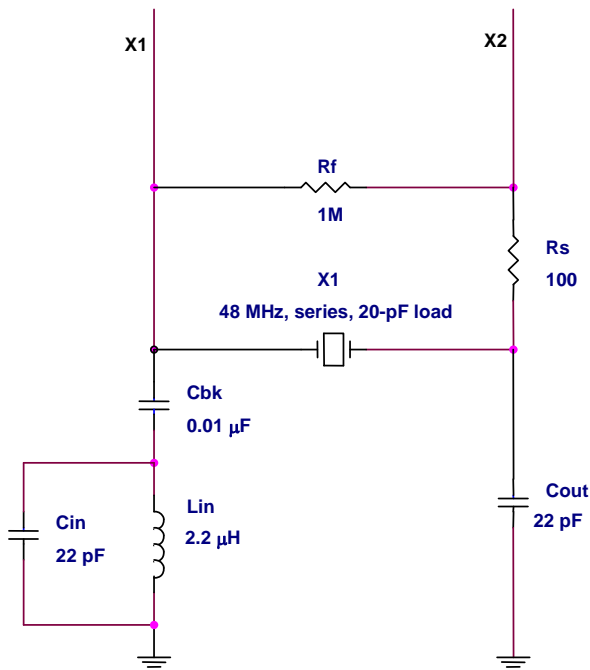
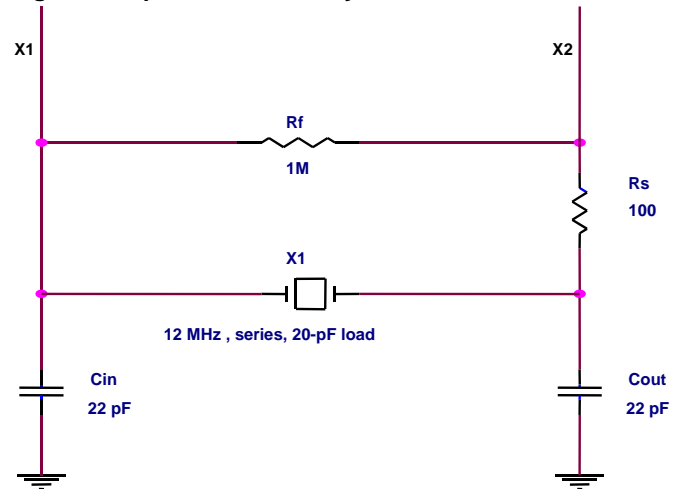


Figure 3. Optional 12 MHz Crystal Circuit



Typical Crystal Requirements

The following are examples of ‘typical requirements.’ Note that these specifications are generally found as standard crystal values and are less expensive than custom values. If crystals are used in series circuits, load capacitance is not applicable. Load capacitance of parallel circuits is a requirement. 48 MHz third overtone crystals require the Cin/Lin filter to guarantee 48 MHz operation.

12 MHz Crystals:

| | |
|-----------------------------------|--------------------|
| Frequency Tolerance: | ±100 ppm or better |
| Operating Temperature Range: | 0 °C to 70 °C |
| Frequency: | 12 MHz |
| Frequency Drift over Temperature: | ± 50 ppm |
| ESR (Series Resistance): | 60Ω |
| Load Capacitance: | 10 pF min. |
| Shunt Capacitance: | 7 pF max. |
| Drive Level: | 0.1–0.5 mW |
| Operating Mode: | fundamental |

48 MHz Crystals:

| | |
|-----------------------------------|--------------------|
| Frequency Tolerance: | ±100 ppm or better |
| Operating Temperature Range: | 0 °C to 70 °C |
| Frequency: | 48 MHz |
| Frequency Drift over Temperature: | ± 50 ppm |
| ESR (Series Resistance): | 40 Ω |
| Load Capacitance: | 10 pF min. |
| Shunt Capacitance: | 7 pF max. |
| Drive Level: | 0.1–0.5 mW |
| Operating Mode: | third overtone |

Notes

4. **Errata:** The internal PLL is very sensitive. The PLL causes any high frequency noise on the VDD pins to result in clock jitter. Please refer to [Errata on page 33](#) for details on errata and suggested work-around.
5. CM (Clock Multiply) pin of the SL811HS must be tied to GND when 48 MHz crystal circuit or 48 MHz clock source is used.

USB Transceiver

The SL811HS has a built in transceiver that meets USB Specification 1.1. The transceiver is capable of transmitting and receiving serial data at USB full speed ^[6] (12 Mbits) and low speed ^[7] (1.5 Mbits). The driver portion of the transceiver is differential while the receiver section is comprised of a differential receiver and two single-ended receivers. Internally, the transceiver interfaces to the Serial Interface Engine (SIE) logic. Externally, the transceiver connects to the physical layer of the USB.

SL811HS Registers

Operation and control of the SL811HS is managed through internal registers. When operating in Master/Host mode, the first 16 address locations are defined as register space. In Slave/Peripheral mode, the first 64 bytes are defined as register space. The register definitions vary greatly between each mode of operation and are defined separately in this document (section [Table 1](#) describes Host register definitions, while [Table 19](#) on [page 15](#) describes Slave register definitions). Access to the registers are through the microprocessor interface similar to normal RAM accesses (see “[Bus Interface Timing Requirements](#)” on [page 26](#)) and provide control and status information for USB transactions.

Any write to control register 0FH enables the SL811HS full features bit. This is an internal bit of the SL811HS that enables additional features.

[Table 1](#) shows the memory map and register mapping of the SL811HS in master/host mode.

Table 1. SL811HS Master (Host) Mode Registers

| Register Name SL811HS | SL811HS (hex) Address |
|--|--------------------------|
| USB-A Host Control Register | 00h |
| USB-A Host Base Address | 01h |
| USB-A Host Base Length | 02h |
| USB-A Host PID, Device Endpoint (Write)/USB Status (Read) | 03h |
| USB-A Host Device Address (Write)/Transfer Count (Read) | 04h |
| Control Register 1 | 05h |
| Interrupt Enable Register | 06h |
| Reserved Register | Reserved |
| USB-B Host Control Register | 08h |
| USB-B Host Base Address | 09h |
| USB-B Host Base Length | 0Ah |
| USB-B Host PID, Device Endpoint (Write)/USB Status (Read) | 0Bh |
| USB-B Host Device Address (Write)/Transfer Count (Read) | 0Ch |
| Status Register | 0Dh |
| SOF Counter LOW (Write)/HW Revision Register (Read) | 0Eh |
| SOF Counter HIGH and Control Register 2 | 0Fh |
| Memory Buffer | 10H-FFh |

The registers in the SL811HS are divided into two major groups. The first group is referred to as USB Control registers. These registers enable and provide status for control of USB transactions and data flow. The second group of registers provides control and status for all other operations.

Register Values on Power-up and Reset

The following registers initialize to zero on power-up and reset:

- USB-A/USB-B Host Control Register [00H, 08H] bit 0 only
- Control Register 1 [05H]
- USB Address Register [07H]
- Current Data Set/Hardware Revision/SOF Counter LOW Register [0EH]

All other register's power-up and reset in an unknown state and firmware for initialization.

Notes

6. **Errata:** The SYNC to SOF bit (bit 5) of the USB Host Control Registers [00H, 08H], is only designed for full-speed support. In full-speed mode, this bit should only be used when the software cannot fit a packet within the remaining 1 ms frame. Please refer to [Errata on page 33](#) for details on errata and suggested work-around.
7. **Errata:** Some hubs that send SE0s upstream during the EOF1 time frame may cause the SL811HS to stop sending SOFs. This problem occurs when operating with low-speed devices attached downstream of such a hub. Please refer to [Errata on page 33](#) for details on errata and suggested work-around.

USB Control Registers

Communication and data flow on the USB bus uses the SL811HS' USB A-B Control registers. The SL811HS communicates with any USB Device function and any specific endpoint via the USB-A or USB-B register sets.

The USB A-B Host Control registers are used in an overlapped configuration to manage traffic on the USB bus. The USB Host Control register also provides a means to interrupt an external CPU or microcontroller when one of the USB protocol transactions is completed. Table 1 and Table 2 show the two sets of USB Host Control registers, the 'A' set and 'B' set. The two register sets allow for overlapping operation. When one set of parameters is being set up, the other is transferring. On completion of a transfer to an endpoint, the next operation is controlled by the other register set.

Note The USB-B register set is used only when SL811HS mode is enabled by initializing register 0FH.

The SL811HS USB Host Control has two groups of five registers each which map in the SL811HS memory space. These registers are defined in the following tables.

Table 2. SL811HS Host Control Registers

| Register Name SL811H | SL811HS (hex) Address |
|---|-----------------------|
| USB-A Host Control Register | 00h |
| USB-A Host Base Address | 01h |
| USB-A Host Base Length | 02h |
| USB-A Host PID, Device Endpoint (Write)/USB Status (Read) | 03h |
| USB-A Host Device Address (Write)/Transfer Count (Read) | 04h |
| USB-B Host Control Register | 08h |
| USB-B Host Base Address | 09h |
| USB-B Host Base Length | 0Ah |
| USB-B Host PID, Device Endpoint (Write)/USB Status (Read) | 0Bh |
| USB-B Host Device Address (Write)/Transfer Count (Read) | 0Ch |

USB-A/USB-B Host Control Registers [Address = 00h, 08h] .
Table 3. USB-A/USB-B Host Control Register Definition [Address 00h, 08h]

| Bit 7 | Bit 6 | Bit 5 | Bit 4 | Bit 3 | Bit 2 | Bit 1 | Bit 0 |
|----------|-----------------|---------|-------|----------|-----------|--------|-------|
| Preamble | Data Toggle Bit | SyncSOF | ISO | Reserved | Direction | Enable | Arm |

| Bit Position | Bit Name | Function |
|--------------|-----------------|---|
| 7 | Preamble | <p>If bit = '1' a preamble token is transmitted before transfer of low speed packet. If bit = '0', preamble generation is disabled.</p> <ul style="list-style-type: none"> ■ The SL811HS automatically generates preamble packets when bit 7 is set. This bit is only used to send packets to a low speed device through a hub. To communicate to a full speed device, this bit is set to '0'. For example, when SL811HS communicates to a low speed device via the HUB: <ul style="list-style-type: none"> — Set SL811HS SIE to operate at full speed, i.e., bit 5 of register 05h (Control Register 1) = '0'. — Set bit 6 of register 0Fh (Control Register 2) = '0'. Set correct polarity of DATA+ and DATA- state for full speed. — Set bit 7, Preamble bit, = '1' in the Host Control register. ■ When SL811HS communicates directly to a low speed device: <ul style="list-style-type: none"> — Set bit 5 of register 05h (Control Register 1) = '1'. — Set bit 6 of register 0Fh (Control Register 2) = '1', DATA+ and DATA- polarity for low speed. — The state of bit 7 is ignored in this mode. |
| 6 | Data Toggle Bit | '0' if DATA0, '1' if DATA1 (only used for OUT tokens in host mode). |
| 5 | SyncSOF | '1' = Synchronize with the SOF transfer when operating in FS only. The SL811HS uses bit 5 to enable transfer of a data packet after a SOF packet is transmitted. When bit 5 = '1', the next enabled packet is sent after next SOF. If bit 5 = '0' the next packet is sent immediately if the SIE is free. If operating in low speed, do not set this bit. |
| 4 | ISO | When set to '1', this bit allows Isochronous mode for this packet. |
| 3 | Reserved | Bit 3 is reserved for future use. |
| 2 | Direction | When equal to '1' transmit (OUT). When equal to '0' receive (IN). |
| 1 | Enable | If Enable = '1', this bit allows transfers to occur. If Enable = '0', USB transactions are ignored. The Enable bit is used in conjunction with the Arm bit (bit 0 of this register) for USB transfers. |
| 0 | Arm | Allows enabled transfers when Arm = '1'. Cleared to '0' when transfer is complete (when Done Interrupt is asserted). |

Once the other SL811HS Control registers are configured (registers 01h-04h or 09h-0Ch) the Host Control register is programmed to initiate the USB transfer. This register initiates the transfer when the Enable and Arm bit are set as described above.

USB-A/USB-B Host Base Address [Address = 01h, 09h] .
Table 4. USB-A/USB-B Host Base Address Definition [Address 01h, 09h]

| Bit 7 | Bit 6 | Bit 5 | Bit 4 | Bit 3 | Bit 2 | Bit 1 | Bit 0 |
|--------|--------|--------|--------|--------|--------|--------|--------|
| HBADD7 | HBADD6 | HBADD5 | HBADD4 | HBADD3 | HBADD2 | HBADD1 | HBADD0 |

The USB-A/B Base Address is a pointer to the SL811HS memory buffer location for USB reads and writes. When transferring data OUT (Host to Device), the USB-A and USB-B Host Base Address registers can be set up before setting ARM on the USB-A or USB-B Host Control register. When using a double buffer scheme, the Host Base Address could be set up with the first buffer used for DATA0 data and the other for DATA1 data.

USB-A/USB-B Host Base Length [Address = 02h, 0Ah].
Table 5. USB-A / USB-B Host Base Length Definition [Address 02h, 0Ah]

| Bit 7 | Bit 6 | Bit 5 | Bit 4 | Bit 3 | Bit 2 | Bit 1 | Bit 0 |
|-------|-------|-------|-------|-------|-------|-------|-------|
| HBL7 | HBL6 | HBL5 | HBL4 | HBL3 | HBL2 | HBL1 | HBL0 |

The USB A/B Host Base Length register contains the maximum packet size transferred between the SL811HS and a slave USB peripheral. Essentially, this designates the largest packet size that is transferred by the SL811HS. Base Length designates the size of data packet sent or received. For example, in full speed BULK mode, the maximum packet length is 64 bytes. In ISO mode, the maximum packet length is 1023 bytes since the SL811HS only has an 8-bit length; the maximum packet size for the ISO mode using the SL811HS is 255 – 16 bytes (register space). When the Host Base length register is set to zero, a Zero-Length packet is transmitted.

USB-A/USB-B USB Packet Status (Read) and Host PID, Device Endpoint (Write) [Address = 03h, 0Bh]. This register has two modes dependent on whether it is read or written. When read, this register provides packet status and contains information relative to the last packet that has been received or transmitted. This register is not valid for reading until after the Done interrupt occurs, which causes the register to update.

Table 6. USB-A/USB-B USB Packet Status Register Definition when READ [Address 03h, 0Bh]

| Bit 7 | Bit 6 | Bit 5 | Bit 4 | Bit 3 | Bit 2 | Bit 1 | Bit 0 |
|-------|-------|----------|-------|----------|----------|-------|-------|
| STALL | NAK | Overflow | Setup | Sequence | Time-out | Error | ACK |

| Bit Position | Bit Name | Function |
|--------------|----------|---|
| 7 | STALL | Slave device returned a STALL. |
| 6 | NAK | Slave device returned a NAK. |
| 5 | Overflow | Overflow condition - maximum length exceeded during receives. For underflow, see USB-A/USB-B Host Transfer Count Register (Read), USB Address (Write) [Address = 04h, 0Ch]. |
| 4 | Setup | This bit is not applicable for Host operation since a SETUP packet is generated by the host. |
| 3 | Sequence | Sequence bit. '0' if DATA0, '1' if DATA1. |
| 2 | Time-out | Timeout occurred. A timeout is defined as 18-bit times without a device response (in full speed). |
| 1 | Error | Error detected in transmission. This includes CRC5, CRC16, and PID errors. |
| 0 | ACK | Transmission Acknowledge. |

When written, this register provides the PID and Endpoint information to the USB SIE engine used in the next transaction. All 16 Endpoints can be addressed by the SL811HS.

Table 7. USB-A / USB-B Host PID and Device Endpoint Register when WRITTEN [Address 03h, 0Bh]

| Bit 7 | Bit 6 | Bit 5 | Bit 4 | Bit 3 | Bit 2 | Bit 1 | Bit 0 |
|-------|-------|-------|-------|-------|-------|-------|-------|
| PID3 | PID2 | PID1 | PID0 | EP3 | EP2 | EP1 | EP0 |

PID[3:0]: 4-bit PID Field (See following table), EP[3:0]: 4-bit Endpoint Value in Binary.

| PID TYPE | D7–D4 |
|----------|--------------|
| SETUP | 1101 (D Hex) |
| IN | 1001 (9 Hex) |
| OUT | 0001 (1 Hex) |
| SOF | 0101 (5 Hex) |
| PREAMBLE | 1100 (C Hex) |
| NAK | 1010 (A Hex) |
| STALL | 1110 (E Hex) |
| DATA0 | 0011 (3 Hex) |
| DATA1 | 1011 (B Hex) |

USB-A/USB-B Host Transfer Count Register (Read), USB Address (Write) [Address = 04h, 0Ch]. This register has two different functions depending on whether it is read or written. When read, this register contains the number of bytes remaining (from Host Base Length value) after a packet is transferred. For example, if the Base Length register is set to 0x040 and an IN Token was sent to the peripheral device. If, after the transfer is complete, the value of the Host Transfer Count is 0x10, the number of bytes actually transferred is 0x30. This is considered as an underflow indication.

Table 8. USB-A / USB-B Host Transfer Count Register when READ [Address 04h, 0Ch]

| Bit 7 | Bit 6 | Bit 5 | Bit 4 | Bit 3 | Bit 2 | Bit 1 | Bit 0 |
|-------|-------|-------|-------|-------|-------|-------|-------|
| HTC7 | HTC6 | HTC5 | HTC4 | HTC3 | HTC2 | HTC1 | HTC0 |

When written, this register contains the USB Device Address with which the Host communicates.

Table 9. USB-A / USB-B USB Address when WRITTEN [Address 04h, 0Ch]

| Bit 7 | Bit 6 | Bit 5 | Bit 4 | Bit 3 | Bit 2 | Bit 1 | Bit 0 |
|-------|-------|-------|-------|-------|-------|-------|-------|
| 0 | DA6 | DA5 | DA4 | DA3 | DA2 | DA1 | DA0 |

DA6-DA0 Device address, up to 127 devices can be addressed.

DA7 Reserved bit must be set to zero.

SL811HS Control Registers

The next set of registers are the Control registers and control more of the operation of the chip instead of USB packet type of transfers. [Table 10](#) is a summary of the control registers.

Table 10. Control Registers Summary

| Register Name SL811H | SL811HS (hex) Address |
|---|-----------------------|
| Control Register 1 | 05h |
| Interrupt Enable Register | 06h |
| Reserved Register | 07h |
| Status Register | 0Dh |
| SOF Counter LOW (Write)/HW Revision Register (Read) | 0Eh |
| SOF Counter HIGH and Control Register 2 | 0Fh |
| Memory Buffer | 10h-FFh |

Control Register 1 [Address = 05h]. The Control Register 1 enables/disables USB transfer operation with control bits defined as follows.

Table 11. Control Register 1 [Address 05h]

| Bit 7 | Bit 6 | Bit 5 | Bit 4 | Bit 3 | Bit 2 | Bit 1 | Bit 0 |
|----------|---------|-----------|-----------------|------------------|----------|----------|-------------|
| Reserved | Suspend | USB Speed | J-K state force | USB Engine Reset | Reserved | Reserved | SOF ena/dis |

| Bit Position | Bit Name | Function |
|--------------|------------------|--|
| 7 | Reserved | '0' |
| 6 | Suspend | '1' = enable, '0' = disable. |
| 5 | USB Speed | '0' setup for full speed, '1' setup low speed. |
| 4 | J-K state force | See Table 12 . |
| 3 | USB Engine Reset | USB Engine reset = '1'. Normal set '0'. When a device is detected, the first thing that to do is to send it a USB Reset to force it into its default address of zero. The USB 2.0 specification states that for a root hub a device must be reset for a minimum of 50 mS. |
| 2 | Reserved | Some existing firmware examples set bit 2, but it is not necessary. |
| 1 | Reserved | '0' |
| 0 | SOF ena/dis | '1' = enable auto Hardware SOF generation; '0' = disable. In the SL811HS, bit 0 is used to enable hardware SOF autogeneration. The generation of SOFs continues when set to '0', but SOF tokens are not output to USB. |

At power-up this register is cleared to all zeros.

Low-power Modes [Bit 6 Control Register, Address 05h]

When bit 6 (Suspend) is set to '1', the power of the transmit transceiver is turned off, the internal RAM is in suspend mode, and the internal clocks are disabled.

Note Any activity on the USB bus (that is, K-State, etc.) resumes normal operation. To resume normal operation from the CPU side, a Data Write cycle (i.e., A0 set HIGH for a Data Write cycle) is done. This is a special case and not a normal direct write where the address is first written and then the data. To resume normal operation from the CPU side, you must do a Data Write cycle only.

Low Speed/Full Speed Modes [Bit 5 Control Register 1, Address 05h]

The SL811HS is designed to communicate with either full- or low speed devices. At power-up bit 5 is LOW, i.e., for full speed.

Table 12. Bus Force States

| USB Engine Reset | J-K Force State | Function |
|------------------|-----------------|---|
| 0 | 0 | Normal operating mode |
| 0 | 1 | Force USB Reset, D+ and D- are set LOW (SE0) |
| 1 | 0 | Force J-State, D+ set HIGH, D- set LOW ^[8] |
| 1 | 1 | Force K-State, D- set HIGH, D+ set LOW ^[9] |

There are two cases when communicating with a low speed device. When a low speed device is connected directly to the SL811HS, bit 5 of Register 05h is set to '1' and bit 6 of register 0Fh, Polarity Swap, is set to '1' in order to change the polarity of D+ and D-. When a low speed device is connected via a HUB to SL811HS, bit 5 of Register 05h is set to '0' and bit 6 of register 0Fh is set to '0' in order to keep the polarity of D+ and D- for full speed. In addition, make sure that bit 7 of USB-A/USB-B Host Control registers [00h, 08h] is set to '1' for preamble generation.

J-K Programming States [Bits 4 and 3 of Control Register 1, Address 05h]

The J-K force state control and USB Engine Reset bits are used to generate a USB reset condition. Forcing K-state is used for Peripheral device remote wake up, resume, and other modes. These two bits are set to zero on power-up.

Notes

- 8. Force K-State for low speed.
- 9. Force J-State for low speed.

USB Reset Sequence

After a device is detected, write 08h to the Control register (05h) to initiate the USB reset, then wait for the USB reset time (root hub should be 50 ms) and additionally some types of devices such as a Forced J-state. Lastly, set the Control register (05h) back to 0h. After the reset is complete, the auto-SOF generation is enabled.

SOF Packet Generation

The SL811HS automatically computes the frame number and CRC5 by hardware. No CRC or SOF generation is required by external firmware for the SL811HS, although it can be done by sending an SOF PID in the Host PID, Device Endpoint register.

To enable SOF generation, assuming host mode is configured:

1. Set up the SOF interval in registers 0x0F and 0x0E.
2. Enable the SOF hardware generation in this register by setting bit 0 = '1'.
3. Set the Arm bit in the USB-A Host Control register.

Interrupt Enable Register [Address = 06h]. The SL811HS provides an Interrupt Request Output, which is activated for a number of conditions. The Interrupt Enable register allows the user to select conditions that result in an interrupt that is issued to an external CPU through the INTRQ pin. A separate Interrupt Status register reflects the reason for the interrupt. Enabling or disabling these interrupts does not have an effect on whether or not the corresponding bit in the Interrupt Status register is set or cleared; it only determines if the interrupt is routed to the INTRQ pin. The Interrupt Status register is normally used in conjunction with the Interrupt Enable register and can be polled in order to determine the conditions that initiated the interrupt (See the description for the Interrupt Status Register). When a bit is set to '1' the corresponding interrupt is enabled. So when the enabled interrupt occurs, the INTRQ pin is asserted. The INTRQ pin is a level interrupt, meaning it is not deasserted until all enabled interrupts are cleared.

Table 13. Interrupt Enable Register [Address 06h]

| Bit 7 | Bit 6 | Bit 5 | Bit 4 | Bit 3 | Bit 2 | Bit 1 | Bit 0 |
|----------|----------------------|------------------|-----------|----------|----------|------------|------------|
| Reserved | Device Detect/Resume | Inserted/Removed | SOF Timer | Reserved | Reserved | USB-B DONE | USB-A DONE |

| Bit Position | Bit Name | Function |
|--------------|----------------------|--|
| 7 | Reserved | '0' |
| 6 | Device Detect/Resume | Enable Device Detect/Resume Interrupt. When bit 6 of register 05h (Control Register 1) is equal to '1', bit 6 of this register enables the Resume Detect Interrupt. Otherwise, this bit is used to enable Device Detection status as defined in the Interrupt Status register bit definitions. |
| 5 | Inserted/Removed | Enable Slave Insert/Remove Detection is used to enable/disable the device inserted/removed interrupt. |
| 4 | SOF Timer | 1 = Enable Interrupt for SOF Timer. This is typically at 1 mS intervals, although the timing is determined by the SOF Counter high/low registers. To use this bit function, bit 0 of register 05h must be enabled and the SOF counter registers 0E and 0Fh must be initialized. |
| 3 | Reserved | '0' |
| 2 | Reserved | '0' |
| 1 | USB-B DONE | USB-B Done Interrupt (see USB-A Done interrupt). |
| 0 | USB-A DONE | USB-A Done Interrupt. The Done interrupt is triggered by one of the events that are logged in the USB Packet Status register. The Done interrupt causes the Packet Status register to update. |

USB Address Register, Reserved, Address [Address = 07h]. This register is reserved for the device USB Address in Slave operation. It should not be written by the user in host mode.

Registers 08h-0Ch Host-B registers. Registers 08h-0Ch have the same definition as registers 00h-04h except they apply to Host-B instead of Host-A.

Interrupt Status Register, Address [Address = 0Dh]. The Interrupt Status register is a READ/WRITE register providing interrupt status. Interrupts are cleared by writing to this register. To clear a specific interrupt, the register is written with corresponding bit set to '1'.

Table 14. Interrupt Status Register [Address 0Dh]

| Bit 7 | Bit 6 | Bit 5 | Bit 4 | Bit 3 | Bit 2 | Bit 1 | Bit 0 |
|-------|----------------------|---------------|-----------|----------|----------|-------|-------|
| D+ | Device Detect/Resume | Insert/Remove | SOF timer | Reserved | Reserved | USB-B | USB-A |

| Bit Position | Bit Name | Function |
|--------------|----------------------|---|
| 7 | D+ | Value of the Data+ pin. Bit 7 provides continuous USB Data+ line status. Once it is determined that a device is inserted (as described below) with bits 5 and 6, bit 7 is used to detect if the inserted device is low speed (0) or full speed (1). |
| 6 | Device Detect/Resume | Device Detect/Resume Interrupt. Bit 6 is shared between Device Detection status and Resume Detection interrupt. When bit-6 of register 05h is set to one, this bit is the Resume detection Interrupt bit. Otherwise, this bit is used to indicate the presence of a device, '1' = device 'Not present' and '0' = device 'Present.' In this mode, check this bit along with bit 5 to determine whether a device has been inserted or removed. |
| 5 | Insert/Remove | Device Insert/Remove Detection. Bit 5 is provided to support USB cable insertion/removal for the SL811HS in host mode. This bit is set when a transition from SE0 to IDLE (device inserted) or from IDLE to SE0 (device removed) occurs on the bus. |
| 4 | SOF timer | '1' = Interrupt on SOF Timer. |
| 3 | Reserved | '0' |
| 2 | Reserved | '0' |
| 1 | USB-B | USB-B Done Interrupt. (See description in Interrupt Enable Register [address 06h].) |
| 0 | USB-A | USB-A Done Interrupt. (See description in Interrupt Enable Register [address 06h].) |

Current Data Set Register/Hardware Revision/SOF Counter LOW [Address = 0Eh]. This register has two modes. Read from this register indicates the current SL811HS silicon revision.

Table 15. Hardware Revision when Read [Address 0Eh]

| Bit 7 | Bit 6 | Bit 5 | Bit 4 | Bit 3 | Bit 2 | Bit 1 | Bit 0 |
|-------------------|-------|-------|-------|----------|-------|-------|-------|
| Hardware Revision | | | | Reserved | | | |

| Bit Position | Bit Name | Function |
|--------------|-------------------|--|
| 7-4 | Hardware Revision | SL811HS rev1.2 Read = 1H; SL811HS rev1.5 Read = 2. |
| 3-2 | Reserved | Read is zero. |
| 1-0 | Reserved | Reserved for slave. |

Writing to this register sets up auto generation of SOF to all connected peripherals. This counter is based on the 12 MHz clock and is not dependent on the crystal frequency. To set up a 1 ms timer interval, the software must set up both SOF counter registers to the proper values.

Table 16. SOF Counter LOW Address when Written [Address 0Eh]

| Bit 7 | Bit 6 | Bit 5 | Bit 4 | Bit 3 | Bit 2 | Bit 1 | Bit 0 |
|-------|-------|-------|-------|-------|-------|-------|-------|
| SOF7 | SOF6 | SOF5 | SOF4 | SOF3 | SOF2 | SOF1 | SOF0 |

Example: To set up SOF for 1 ms interval, SOF counter register 0Eh should be set to E0h.

SOF Counter High/Control Register 2 [Address = 0Fh]. When read, this register returns the value of the SOF counter divided by 64. The software must use this register to determine the available bandwidth in the current frame before initiating any USB transfer. In this way, the user is able to avoid babble conditions on the USB. For example, to determine the available bandwidth left in a frame do the following.

Maximum number of clock ticks in 1 ms time frame is 12000 (1 count per 12 MHz clock period, or approximately 84 ns.) The value read back in Register 0Fh is the (count x 64) x 84 ns = time remaining in current frame. USB bit time = one 12 MHz period.

Value of register 0Fh Available bit times left are between

BBH 12000 bits to 11968 (187 x 64) bits
 BAH 11968 bits to 11904 (186 x 64) bits

Note: Any write to the 0Fh register clears the internal frame counter. Write register 0Fh at least once after power-up. The internal frame counter is incremented after every SOF timer tick. The internal frame counter is an 11-bit counter, which is used to track the frame number. The frame number is incremented after each timer tick. Its contents are transmitted to the slave every millisecond in a SOF packet.

Table 17. SOF High Counter when Read [Address 0Fh]

| Bit 7 | Bit 6 | Bit 5 | Bit 4 | Bit 3 | Bit 2 | Bit 1 | Bit 0 |
|-------|-------|-------|-------|-------|-------|-------|-------|
| C13 | C12 | C11 | C10 | C9 | C8 | C7 | C6 |

When writing to this register the bits definition are defined as follows.

Table 18. Control Register 2 when Written [Address 0Fh]

| Bit 7 | Bit 6 | Bit 5 | Bit 4 | Bit 3 | Bit 2 | Bit 1 | Bit 0 |
|--------------------------------|----------------------------------|---------------------------|-------|-------|-------|-------|-------|
| SL811HS Master/Slave selection | SL811HS D+/D- Data Polarity Swap | SOF High Counter Register | | | | | |

| Bit Position | Bit Name | Function |
|--------------|----------------------------------|--|
| 7 | SL811HS Master/Slave selection | Master = 1, Slave = 0. |
| 6 | SL811HS D+/D- Data Polarity Swap | '1' = change polarity (low speed) '0' = no change of polarity (full speed). |
| 5-0 | SOF High Counter Register | Write a value or read it back to SOF High Counter Register. |

Note Any write to Control register 0Fh enables the SL811HS full features bit. This is an internal bit of the SL811HS that enables additional features.

The USB-B register set is used when SL811HS full feature bit is enabled.

Example. To set up host to generate 1 ms SOF time:

The register 0Fh contains the upper 6 bits of the SOF timer. Register 0Eh contains the lower 8 bits of the SOF timer. The timer is based on an internal 12 MHz clock and uses a counter, which counts down to zero from an initial value. To set the timer for 1 ms time, the register 0Eh is loaded with value E0h and register 0Fh (bits 0–5) is loaded with 2Eh. To start the timer, bit 0 of register 05h (Control Register 1) is set to '1', which enables

hardware SOF generation. To load both HIGH and LOW registers with the proper values, the user must follow this sequence:

1. Write E0h to register 0Eh. This sets the lower byte of the SOF counter
2. Write AEh to register 0Fh, AEh configures the part for full speed (no change of polarity) Host with bits 5–0 = 2Eh for upper portion of SOF counter.
3. Enable bit 0 in register 05h. This enables hardware generation of SOF.
4. Set the ARM bit at address 00h. This starts the SOF generation.

Table 19. SL811HS Slave Mode Registers

| Register Name | Endpoint specific register addresses | | | | | | | |
|-------------------------------|--------------------------------------|---------------------------|----------|----------|----------|----------|----------|----------|
| | EP 0 - A | EP 0 - B | EP 1 - A | EP 1 - B | EP 2 - A | EP 2 - B | EP 3 - A | EP 3 - B |
| EP Control Register | 00h | 08h | 10h | 18h | 20h | 28h | 30h | 0x38 |
| EP Base Address Register | 01h | 09h | 11h | 19h | 21h | 29h | 31h | 0x39 |
| EP Base Length Register | 02h | 0Ah | 12h | 1Ah | 22h | 2Ah | 0x32 | 0x3A |
| EP Packet Status Register | 03h | 0Bh | 13h | 1Bh | 23h | 2Bh | 0x33 | 0x3B |
| EP Transfer Count Register | 04h | 0Ch | 14h | 1Ch | 24h | 2Ch | 0x34 | 0x3C |
| Register Name | Miscellaneous register addresses | | | | | | | |
| Control Register 1 | 05h | Interrupt Status Register | | | 0Dh | | | |
| Interrupt Enable Register | 06h | Current Data Set Register | | | 0Eh | | | |
| USB Address Register | 07h | Control Register 2 | | | 0Fh | | | |
| SOF Low Register (read only) | 15h | Reserved | | | 1Dh-1Fh | | | |
| SOF High Register (read only) | 16h | Reserved | | | 25h-27h | | | |
| Reserved | 17h | Reserved | | | 2Dh-2Fh | | | |
| DMA Total Count Low Register | 35h | | | | | | | |
| DMA Total Count High Register | 36h | | | | | | | |
| Reserved | 37h | | | | | | | |
| Memory Buffer | 40h–FFh | | | | | | | |

When in slave mode, the registers in the SL811HS are divided into two major groups. The first group contains Endpoint registers that manage USB control transactions and data flow. The second group contains the USB Registers that provide the control and status information for all other operations.

Endpoint Registers

Communication and data flow on USB is implemented using endpoints. These uniquely identifiable entities are the terminals of communication flow between a USB host and USB devices. Each USB device is composed of a collection of independently operating endpoints. Each endpoint has a unique identifier, which is the Endpoint Number. For more information, see USB Specification 1.1 section 5.3.1.

The SL811HS supports four endpoints numbered 0–3. Endpoint 0 is the default pipe and is used to initialize and generically manipulate the device to configure the logical device as the Default Control Pipe. It also provides access to the device's configuration information, allows USB status and control access, and supports control transfers.

Endpoints 1–3 support Bulk, Isochronous, and Interrupt transfers. Endpoint 3 is supported by DMA. Each endpoint has two sets of registers—the 'A' set and the 'B' set. This allows overlapped operation where one set of parameters is set up and the other is transferring. Upon completion of a transfer to an endpoint, the 'next data set' bit indicates whether set 'A' or set 'B' is used next. The 'armed' bit of the next data set indicates whether the SL811HS is ready for the next transfer without interruption.

Endpoints 0–3 Register Addresses

Each endpoint set has a group of five registers that are mapped within the SL811HS memory. The register sets have address assignments Endpoint 0–3 Register Addresses as shown in the following table.

Table 20. Endpoint 0–3 Register Addresses

| Endpoint Register Set | Address (in Hex) |
|-----------------------|------------------|
| Endpoint 0 – a | 00 - 04 |
| Endpoint 0 – b | 08 - 0C |
| Endpoint 1 – a | 10 - 14 |
| Endpoint 1 – b | 18 - 1C |
| Endpoint 2 – a | 20 - 24 |
| Endpoint 2 – b | 28 - 2C |
| Endpoint 3 – a | 30 - 34 |
| Endpoint 3 – b | 38 - 3C |

For each endpoint set (starting at address Index = 0), the registers are mapped as shown in the following table.

Table 21. Endpoint Register Indices

| Endpoint Register Sets (for Endpoint <i>n</i> starting at register position <i>Index=0</i>) | |
|---|----------------------------------|
| Index | Endpoint <i>n</i> Control |
| Index + 1 | Endpoint <i>n</i> Base Address |
| Index + 2 | Endpoint <i>n</i> Base Length |
| Index + 3 | Endpoint <i>n</i> Packet Status |
| Index + 4 | Endpoint <i>n</i> Transfer Count |

Endpoint Control Registers

Endpoint n Control Register [Address a = (EP# * 10h), b = (EP# * 10h)+8]. Each endpoint set has a Control register defined as follows:

Table 22. Endpoint Control Register [Address EP0a/b:00h/08h, EP1a/b:10h/18h, EP2a/b:20h/28h, EP3a/b:30h/38h]

| 7 | 6 | 5 | 4 | 3 | 2 | 1 | 0 |
|----------|----------|------------|-----|---------------|-----------|--------|-----|
| Reserved | Sequence | Send STALL | ISO | Next Data Set | Direction | Enable | Arm |

| Bit Position | Bit Name | Function |
|--------------|---------------|--|
| 7 | Reserved | |
| 6 | Sequence | Sequence bit. '0' if DATA0, '1' if DATA1. |
| 5 | Send STALL | When set to '1', sends Stall in response to next request on this endpoint. |
| 4 | ISO | When set to '1', allows Isochronous mode for this endpoint. |
| 3 | Next Data Set | '0' if next data set is 'A', '1' if next data set is 'B'. |
| 2 | Direction | When Direction = '1', transmit to Host (IN). When Direction = '0', receive from Host (OUT). |
| 1 | Enable | When Enable = '1', allows transfers for this endpoint. When set to '0', USB transactions are ignored. If Enable = '1' and Arm = '0', the endpoint returns NAKs to USB transmissions. |
| 0 | Arm | Allows enabled transfers when set = '1'. Clears to '0' when transfer is complete. |

Endpoint Base Address [Address a = (EP# * 10h)+1, b = (EP# * 10h)+9]. Pointer to memory buffer location for USB reads and writes.

Table 23. Endpoint Base Address Reg [Address; EP0a/b:01h/09h, EP1a/b:11h/19h, EP2a/b:21h/29h, EP3a/b:31h/39h]

| 7 | 6 | 5 | 4 | 3 | 2 | 1 | 0 |
|---------|---------|---------|---------|---------|---------|---------|---------|
| EPxADD7 | EPxADD6 | EPxADD5 | EPxADD4 | EPxADD3 | EPxADD2 | EPxADD1 | EPxADD0 |

Endpoint Base Length [Address a = (EP# * 10h)+2, b = (EP# * 10h)+A]. The Endpoint Base Length is the maximum packet size for IN/OUT transfers with the host. Essentially, this designates the largest packet size that is received by the SL811HS with an OUT transfer, or it designates the size of the data packet sent to the host for IN transfers.

Table 24. Endpoint Base Length Reg [Address EP0a/b:02h/0Ah, EP1a/b:12h/1Ah, EP2a/b:22h/2Ah, EP3a/b:32h/3Ah]

| 7 | 6 | 5 | 4 | 3 | 2 | 1 | 0 |
|---------|---------|---------|---------|---------|---------|---------|---------|
| EPxLEN7 | EPxLEN6 | EPxLEN5 | EPxLEN4 | EPxLEN3 | EPxLEN2 | EPxLEN1 | EPxLENO |

Endpoint Packet Status [Address a = (EP# * 10h)+3, b = (EP# * 10h)+Bh]. The packet status contains information relative to the packet that is received or transmitted. The register is defined as follows:

Table 25. Endpoint Packet Status Reg [Address EP0a/b:03h/0Bh, EP1a/b:13h/1Bh, EP2a/b:23h/2Bh, EP3a/b:33h/3Bh]

| 7 | 6 | 5 | 4 | 3 | 2 | 1 | 0 |
|----------|----------|----------|-------|----------|----------|-------|-----|
| Reserved | Reserved | Overflow | Setup | Sequence | Time-out | Error | ACK |

| Bit Position | Bit Name | Function |
|--------------|----------|--|
| 7 | Reserved | Not applicable. |
| 6 | Reserved | Not applicable. |
| 5 | Overflow | Overflow condition - maximum length exceeded during receives. This is considered a serious error. The maximum number of bytes that can be received by an endpoint is determined by the Endpoint Base Length register for each endpoint. The Overflow bit is only relevant during OUT Tokens from the host. |
| 4 | Setup | '1' indicates Setup Packet. If this bit is set, the last packet received was a setup packet. |
| 3 | Sequence | This bit indicates if the last packet was a DATA0 (0) or DATA1 (1). |
| 2 | Time-out | This bit is not used in slave mode. |
| 1 | Error | Error detected in transmission, this includes CRC5/16 and PID errors. |
| 0 | ACK | Transmission Acknowledge. |

Endpoint Transfer Count [Address a = (EP# * 10h)+4, b = (EP# * 10h)+Ch]. As a peripheral device, the Endpoint Transfer Count register is only important with OUT tokens (host sending the slave data). When a host sends the peripheral data, the Transfer Count register contains the difference between the Endpoint Base Length and the actual number of bytes received in the last packet. In other words, if the Endpoint Base Length

register was set for 64 (40h) bytes and an OUT token was sent to the endpoint that only had 16 (10h) bytes, the Endpoint Transfer Count register has a value of 48 (30h). If more bytes were sent in an OUT token then the Endpoint Base Length register was programmed for, the overflow flag is set in the Endpoint Packet Status register and is considered a serious error.

Table 26. Endpoint Transfer Count Reg [Address EP0a/b:04h/0Ch, EP1a/b:14h/1Ch, EP2a/b:24h/2Ch, EP3a/b:34h/3Ch]

| 7 | 6 | 5 | 4 | 3 | 2 | 1 | 0 |
|---------|---------|---------|---------|---------|---------|---------|---------|
| EPxCNT7 | EPxCNT6 | EPxCNT5 | EPxCNT4 | EPxCNT3 | EPxCNT2 | EPxCNT1 | EPxCNT0 |

USB Control Registers

The USB Control registers manage communication and data flow on the USB. Each USB device is composed of a collection of independently operating endpoints. Each endpoint has a unique identifier, which is the Endpoint Number. For more details about USB endpoints, refer to the USB Specification 1.1, Section 5.3.1.

The Control and Status registers are mapped as follows:

Table 27. USB Control Registers

| Register Name | Address (in Hex) |
|------------------------------------|------------------|
| Control Register 1 | 05h |
| Interrupt Enable Register | 06h |
| USB Address Register | 07h |
| Interrupt Status Register | 0Dh |
| Current Data Set Register | 0Eh |
| Control Register 2 | 0Fh |
| SOF Low Byte Register | 15h |
| SOF High Byte Register | 16h |
| DMA Total Count Low Byte Register | 35h |
| DMA Total Count High Byte Register | 36h |

Control Register 1, Address [05h]. The Control register enables or disables USB transfers and DMA operations with control bits.

Table 28. Control Register 1 [Address 05h]

| | | | | | | | |
|----------|-------|-------|------|------|---------|------------|------------|
| 7 | 6 | 5 | 4 | 3 | 2 | 1 | 0 |
| Reserved | STBYD | SPSEL | J-K1 | J-K0 | DMA Dir | DMA Enable | USB Enable |

| Bit Position | Bit Name | Function |
|--------------|------------------|---|
| 7 | Reserved | Reserved bit - must be set to '0'. |
| 6 | STBYD | XCVR Power Control. '1' sets XCVR to low power. For normal operation set this bit to '0'. Suspend mode is entered if bit 6 = '1' and bit '0' (USB Enable) = '0'. |
| 5 | SPSEL | Speed Select. '0' selects full speed. '1' selects low speed (also see Table 33 on page 20). |
| 4 | J-K Force State | J-K1 and J-K0 force state control bits are used to generate various USB bus conditions. |
| 3 | USB Engine Reset | Forcing K-state is used for Peripheral device remote wake-up, Resume, and other modes. These two bits are set to zero on power-up, see Table 12 on page 11 for functions. |
| 2 | DMA Dir | DMA Transfer Direction. Set equal to '1' for DMA READ cycles from SL811HS. Set equal to '0' for DMA WRITE cycles. |
| 1 | DMA Enable | Enable DMA operation when equal to '1'. Disable = '0'. DMA is initiated when DMA Count High is written. |
| 0 | USB Enable | Overall Enable for Transfers. '1' enables and '0' disables. Set this bit to '1' to enable USB communication. Default at power-up = '0' |

| JK-Force State | USB Engine Reset | Function |
|----------------|------------------|--|
| 0 | 0 | Normal operating mode |
| 0 | 1 | Force SE0, D+ and D- are set low |
| 1 | 0 | Force K-State, D- set high, D+ set low |
| 1 | 1 | Force J-State, D+ set high, D- set low |

Interrupt Enable Register, Address [06h]. The SL811HS provides an Interrupt Request Output that is activated resulting from a number of conditions. The Interrupt Enable register allows the user to select events that generate the Interrupt Request Output assertion. A separate Interrupt Status register is read in order to determine the condition that initiated the interrupt (see

the description in section [Interrupt Status Register, Address \[0Dh\]](#)). When a bit is set to '1', the corresponding interrupt is enabled. Setting a bit in the Interrupt Enable register does not effect the Interrupt Status register's value; it just determines which interrupts are output on INTRQ.

Table 29. Interrupt Enable Register [Address: 06h]

| | | | | | | | |
|------------|-----------|--------------|----------|-----------------|-----------------|-----------------|-----------------|
| 7 | 6 | 5 | 4 | 3 | 2 | 1 | 0 |
| DMA Status | USB Reset | SOF Received | DMA Done | Endpoint 3 Done | Endpoint 2 Done | Endpoint 1 Done | Endpoint 0 Done |

| Bit Position | Bit Name | Function |
|--------------|-----------------|--|
| 7 | DMA Status | When equal to '1', indicates DMA transfer is in progress. When equal to '0', indicates DMA transfer is complete. |
| 6 | USB Reset | Enable USB Reset received interrupt when = '1'. |
| 5 | SOF Received | Enable SOF Received Interrupt when = '1'. |
| 4 | DMA Done | Enable DMA done Interrupt when = '1'. |
| 3 | Endpoint 3 Done | Enable Endpoint 3 done Interrupt when = '1'. |
| 2 | Endpoint 2 Done | Enable Endpoint 2 done Interrupt when = '1'. |
| 1 | Endpoint 1 Done | Enable Endpoint 1 done Interrupt when = '1'. |
| 0 | Endpoint 0 Done | Enable Endpoint 0 done Interrupt when = '1'. |

USB Address Register, Address [07h]

This register contains the USB Device Address after assignment by USB host during configuration. On power-up or reset, USB Address register is set to Address 00h. After USB configuration and address assignment, the device recognizes only USB transactions directed to the address contained in the USB Address register.

Table 30. USB Address Register [Address 07h]

| | | | | | | | |
|----------|----------|----------|----------|----------|----------|----------|----------|
| 7 | 6 | 5 | 4 | 3 | 2 | 1 | 0 |
| USBADD7 | USBADD6 | USBADD5 | USBADD4 | USBADD3 | USBADD2 | USBADD1 | USBADD0 |

Interrupt Status Register, Address [0Dh]

This read/write register serves as an Interrupt Status register when it is read, and an Interrupt Clear register when it is written. To clear an interrupt, write the register with the appropriate bit set to '1'. Writing a '0' has no effect on the status.

Table 31. Interrupt Status Register [Address 0Dh]

| | | | | | | | |
|------------|-----------|--------------|----------|-----------------|-----------------|-----------------|-----------------|
| 7 | 6 | 5 | 4 | 3 | 2 | 1 | 0 |
| DMA Status | USB Reset | SOF Received | DMA Done | Endpoint 3 Done | Endpoint 2 Done | Endpoint 1 Done | Endpoint 0 Done |

| Bit Position | Bit Name | Function |
|--------------|-----------------|--|
| 7 | DMA Status | When equal to '1', indicates DMA transfer is in progress. When equal to 0, indicates DMA transfer is complete. An interrupt is not generated when DMA is complete. |
| 6 | USB Reset | USB Reset Received Interrupt. |
| 5 | SOF Received | SOF Received Interrupt. |
| 4 | DMA Done | DMA Done Interrupt. |
| 3 | Endpoint 3 Done | Endpoint 3 Done Interrupt. |
| 2 | Endpoint 2 Done | Endpoint 2 Done Interrupt. |
| 1 | Endpoint 1 Done | Endpoint 1 Done Interrupt. |
| 0 | Endpoint 0 Done | Endpoint 0 Done Interrupt. |

Current Data Set Register, Address [0Eh]. This register indicates current selected data set for each endpoint.

Table 32. Current Data Set Register [Address 0Eh]

| | | | | | | | |
|----------|----------|----------|----------|------------|------------|------------|------------|
| 7 | 6 | 5 | 4 | 3 | 2 | 1 | 0 |
| Reserved | | | | Endpoint 3 | Endpoint 2 | Endpoint 1 | Endpoint 0 |

| Bit Position | Bit Name | Function |
|--------------|-----------------|-----------------------------------|
| 7–4 | Reserved | Not applicable. |
| 3 | Endpoint 3 Done | Endpoint 3a = 0, Endpoint 3b = 1. |
| 2 | Endpoint 2 Done | Endpoint 2a = 0, Endpoint 2b = 1. |
| 1 | Endpoint 1 Done | Endpoint 1a = 0, Endpoint 1b = 1. |
| 0 | Endpoint 0 Done | Endpoint 0a = 0, Endpoint 0b = 1. |

Control Register 2, Address [0Fh]. Control Register 2 is used to control if the device is configured as a master or a slave. It can change the polarity of the Data+ and Data- pins to accommodate both full- and low speed operation.

Table 33. Control Register 2 [Address 0Fh]

| Bit 7 | Bit 6 | Bit 5 | Bit 4 | Bit 3 | Bit 2 | Bit 1 | Bit 0 |
|--------------------------------|----------------------------------|----------|-------|-------|-------|-------|-------|
| SL811HS Master/Slave selection | SL811HS D+/D- Data Polarity Swap | Reserved | | | | | |

| Bit Position | Bit Name | Function |
|--------------|----------------------------------|---|
| 7 | SL811HS Master/Slave selection | Master = '1' Slave = '0' |
| 6 | SL811HS D+/D- Data Polarity Swap | '1' = change polarity (low speed) '0' = no change of polarity (full speed) |
| 5-0 | Reserved | NA |

SOF Low Register, Address [15h]. Read only register contains the 7 low order bits of Frame Number in positions: bit 7:1. Bit 0 is undefined. Register is updated when a SOF packet is received. Do not write to this register.

SOF High Register, Address [16h]. Read only register contains the 4 low order bits of Frame Number in positions: bit 7:4. Bits 3:0 are undefined and should be masked when read by the user. This register is updated when a SOF packet is received. The user should not write to this register.

DMA Total Count Low Register, Address [35h]. The DMA Total Count Low register contains the low order 8 bits of DMA count. DMA total count is the total number of bytes to be

transferred between a peripheral to the SL811HS. The count may sometimes require up to 16 bits, therefore the count is represented in two registers: Total Count Low and Total Count High. EP3 is only supported with DMA operation.

DMA Total Count High Register, Address [36h]. The DMA Total Count High register contains the high order 8 bits of DMA count. When written, this register enables DMA if the DMA Enable bit is set in Control Register 1. The user should always write Low Count register first, followed by a write to High Count register, even if high count is 00h.

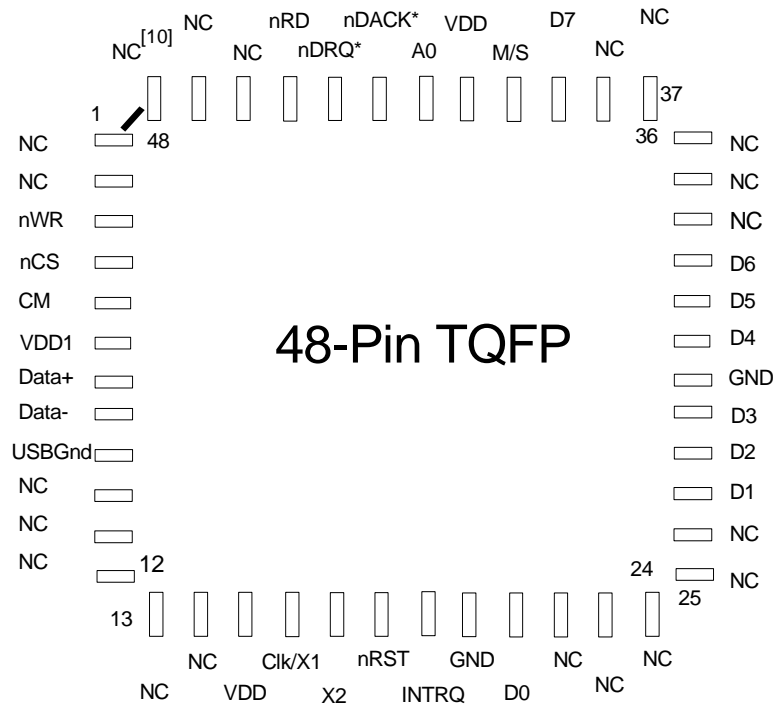
Physical Connections

These parts are offered in 48-pin TQFP package. The 48-pin TQFP package is the SL811HST-AXC.

48-Pin TQFP Physical Connections

48-Pin TQFP AXC Pin Layout

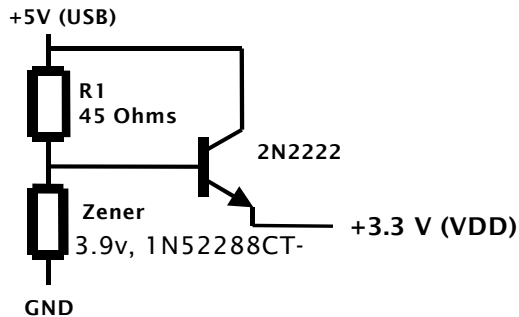
Figure 4. 48-pin TQFP AXC USB Host/Slave Controller Pin Layout



*See Table 34 on page 22 for Pin and Signal Description for Pins 43 and 44 in Host Mode.

The diagram below illustrates a simple +3.3 V voltage source.

Figure 5. Sample VDD Generator



Note

10. NC. Indicates No Connection. NC Pins must be left unconnected.

USB Host Controller Pins Description

The SL811HST-AXC is packaged in a 48-pin TQFP. These devices require a 3.3 VDC power source and an external 12 or 48 MHz crystal or clock.

Table 34. Pin and Signal Description for Pins

| 48-Pin TQFP AXC Pin No. | Pin Type | Pin Name | Pin Description |
|-------------------------|----------|----------|---|
| 1 | NC | NC | No connection. |
| 2 | NC | NC | No connection. |
| 3 | IN | nWR | Write Strobe Input. An active LOW input used with nCS to write to registers/data memory. |
| 4 | IN | nCS | Active LOW 48-Pin TQFP Chip select. Used with nRD and nWr when accessing the 48-Pin TQFP. |
| 5 ^[11] | IN | CM | Clock Multiply. Select 12 MHz/48 MHz Clock Source. |
| 6 | VDD1 | +3.3 VDC | Power for USB Transceivers. V _{DD1} may be connected to V _{DD} . |
| 7 | BIDIR | DATA + | USB Differential Data Signal HIGH Side. |
| 8 | BIDIR | DATA - | USB Differential Data Signal LOW Side. |
| 9 | GND | USB GND | Ground Connection for USB. |
| 10 | NC | NC | No connection. |
| 11 | NC | NC | No connection. |
| 12 | NC | NC | No connection. |
| 13 | NC | NC | No connection. |
| 14 | NC | NC | No connection. |
| 15 ^[12] | VDD | +3.3 VDC | Device V _{DD} Power. |
| 16 | IN | CLK/X1 | Clock or External Crystal X1 connection. The X1/X2 Clock requires external 12 or 48 MHz matching crystal or clock source. |
| 17 | OUT | X2 | External Crystal X2 connection. |
| 18 | IN | nRST | Device active low reset input. |
| 19 | OUT | INTRQ | Active HIGH Interrupt Request output to external controller. |
| 20 | GND | GND | Device Ground. |
| 21 | BIDIR | D0 | Data 0. Microprocessor Data/Address Bus. |
| 22 | NC | NC | No connection. |
| 23 | NC | NC | No connection. |
| 24 | NC | NC | No connection. |
| 25 | NC | NC | No connection. |
| 26 | NC | NC | No connection. |
| 27 | BIDIR | D1 | Data 1. Microprocessor Data/Address Bus. |
| 28 | BIDIR | D2 | Data 2. Microprocessor Data/Address Bus. |
| 29 | BIDIR | D3 | Data 3. Microprocessor Data/Address Bus. |
| 30 | GND | GND | Device Ground. |
| 31 | BIDIR | D4 | Data 4. Microprocessor Data/Address Bus. |
| 32 | BIDIR | D5 | Data 5. Microprocessor Data/Address Bus. |

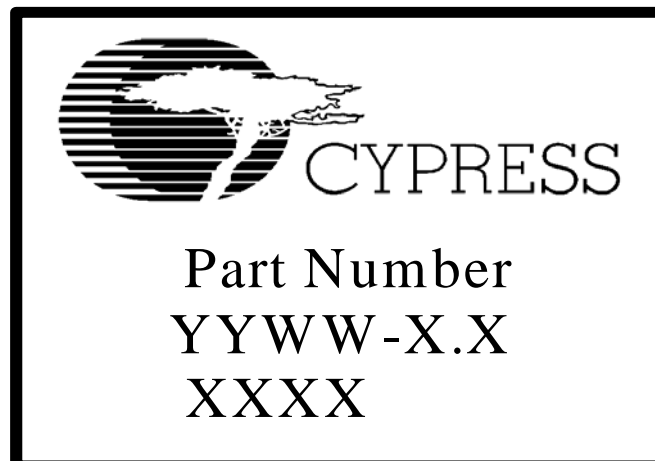
Notes

11. The CM Clock Multiplier pin must be tied HIGH for a 12 MHz clock source and tied to ground for a 48 MHz clock source.
 12. VDD can be derived from the USB supply. See [Figure 5 on page 21](#).

Table 34. Pin and Signal Description for Pins

| 48-Pin TQFP AXC Pin No. | Pin Type | Pin Name | Pin Description |
|----------------------------|----------|----------|--|
| 33 | BIDIR | D6 | Data 6. Microprocessor Data/Address Bus. |
| 34 | NC | NC | No connection. |
| 35 | NC | NC | No connection. |
| 36 | NC | NC | No connection. |
| 37 | NC | NC | No connection. |
| 38 | NC | NC | No connection. |
| 39 | BIDIR | D7 | Data 7. Microprocessor Data/Address Bus. |
| 40 | IN | M/S | Master/Slave Mode Select. '1' selects Slave. '0' = Master. |
| 41 | VDD | +3.3 VDC | Device V _{DD} Power. |
| 42 ^[14] | IN | A0 | A0 = '0'. Selects address pointer. Register A0 = '1'. Selects data buffer or register. |
| 43 | IN | nDACK | DMA Acknowledge. An active LOW input used to interface to an external DMA controller. DMA is enabled only in slave mode. In host mode, the pin should be tied HIGH (logic '1'). |
| 44 | OUT | nDRQ | DMA Request. An active LOW output used with an external DMA controller. nDRQ and nDACK form the handshake for DMA data transfers. In host mode, leave the pin unconnected. |
| 45 | IN | nRD | Read Strobe Input. An active LOW input used with nCS to read registers/data memory. |
| 46 | NC | NC | No connection. |
| 47 | NC | NC | No connection. |
| 48 | NC | NC | No connection. |

Figure 6. Package Markings (48-Pin TQFP)



YYWW = Date code
 XXXX = Product code
 X.X = Silicon revision number

Notes

- 13. VDD can be derived from the USB supply. [Figure 5 on page 21](#) shows a simple method to provide 3.3 V/30 mA. Another option is to use a Torex Semiconductor, Ltd. 3.3 V SMD regulator (part number XC62HR3302MR).
- 14. The A0 Address bit is used to access address register or data registers in I/O Mapped or Memory Mapped applications.

Electrical Specifications

Absolute Maximum Ratings

This section lists the absolute maximum ratings of the SL811HS. Exceeding maximum ratings may shorten the useful life of the device. User guidelines are not tested.

| Description | Condition |
|---|------------------|
| Storage Temperature | -40 °C to 125 °C |
| Voltage on any pin with respect to ground | -0.3 V to 6.0 V |
| Power Supply Voltage (V _{DD}) | 4.0 V |
| Power Supply Voltage (V _{DD1}) | 4.0 V |
| Lead Temperature (10 seconds) | 180°C |

Recommended Operating Conditions

| Parameter | Min | Typical | Max |
|----------------------------|-------|---------|--------|
| Power Supply Voltage, VDD | 3.0 V | 3.3 V | 3.45 V |
| Power Supply Voltage, VDD1 | 3.0 V | | 3.45 V |
| Operating Temperature | 0 °C | | 65 °C |

| Crystal Requirements, (X1, X2) | Min | Typical | Max |
|--|-------|---------|----------|
| Operating Temperature Range | 0°C | | 65 °C |
| Parallel Resonant Frequency | | 48 MHz | |
| Frequency Drift over Temperature | | | ±50 ppm |
| Accuracy of Adjustment | | | ±30 ppm |
| Series Resistance | | | 100 Ohms |
| Shunt Capacitance | 3 pF | | 6 pF |
| Load Capacitance | | 20 pF | |
| Drive Level | 20 μW | | 5 mW |
| Mode of Vibration Third Overtone ^[15] | | | |

External Clock Input Characteristics (X1)

| Parameter | Min | Typical | Max |
|-------------------------------------|-------|---------|-----|
| Clock Input Voltage at X1 (X2 Open) | 1.5 V | | |
| Clock Frequency ^[16] | | 48 MHz | |

Notes

15. Fundamental mode for 12 MHz Crystal.

16. The SL811HS can use a 12 MHz Clock Source.

DC Characteristics

| Parameter | Description | Min | Typ | Max |
|-------------------------------------|--|--------|--------|-------|
| V _{IL} | Input Voltage LOW | -0.3 V | | 0.8 V |
| V _{IH} | Input Voltage HIGH (5 V Tolerant I/O) | 2.0 V | | 6.0 V |
| V _{OL} | Output Voltage LOW (I _{OL} = 4 mA) | | | 0.4 V |
| V _{OH} | Output Voltage HIGH (I _{OH} = -4 mA) | 2.4 V | | |
| I _{OH} | Output Current HIGH | 4 mA | | |
| I _{OL} | Output Current LOW | 4 mA | | |
| I _{LL} | Input Leakage | | | ±1 μA |
| C _{IN} | Input Capacitance | | | 10 pF |
| I _{CC} ^[17] | Supply Current (V _{DD}) inc USB at FS | | 21 mA | 25 mA |
| I _{CCsus1} ^[18] | Supply Current (V _{DD}) Suspend w/Clk & PII Enb | | 4.2 mA | 5 mA |
| I _{CCsus2} ^[19] | Supply Current (V _{DD}) Suspend no Clk & PII Dis | | 50 μA | 60 μA |
| I _{USB} | Supply Current (V _{DD1}) | | | 10 mA |
| I _{USBSUS} | Transceiver Supply Current in Suspend | | | 10 μA |

USB Host Transceiver Characteristics

| Parameter | Description | Min | Typ ^[20] | Max |
|-----------------------------------|---|---------|---------------------|-------------|
| V _{IHYS} | Differential Input Sensitivity (Data+, Data-) | 0.2 V | | 200 mV |
| V _{USBIH} | USB Input Voltage HIGH Driven | 2.0 V | | |
| V _{USBIL} | USB Input Voltage LOW | 0.8 V | | |
| V _{USBOH} | USB Output Voltage HIGH | 2.0 V | | |
| V _{USBOL} | USB Output Voltage LOW | 0.0 V | | 0.3 V |
| Z _{USBH} ^[21] | Output Impedance HIGH STATE | 36 Ohms | | 42 Ohms |
| Z _{USBL} ^[21] | Output Impedance LOW STATE | 36 Ohms | | 42 Ohms |
| I _{USB} | Transceiver Supply p-p Current (3.3 V) | | | 10 mA at FS |

Every V_{DD} pin, including USB V_{DD}, must have a decoupling capacitor to ensure clean V_{DD} (free of high frequency noise) at the chip input point (pin) itself.

The best way to do this is to connect a ceramic capacitor (0.1 μF, 6 V) between the pin itself and a good ground. Keep capacitor leads as short as possible. Use surface mount capacitors with the shortest traces possible (the use of a ground plane is strongly recommended).

This product was tested as compliant to the USB-IF specification under the test identification number (TID) of 40000689 and is listed on the USB-IF's integrators list.

Notes

17. I_{CC} measurement includes USB Transceiver current (I_{USB}) operating at full speed.

18. I_{CCsus1} measured with 12 MHz Clock Input and Internal PLL enabled. Suspend set –(USB transceiver and internal Clocking disabled).

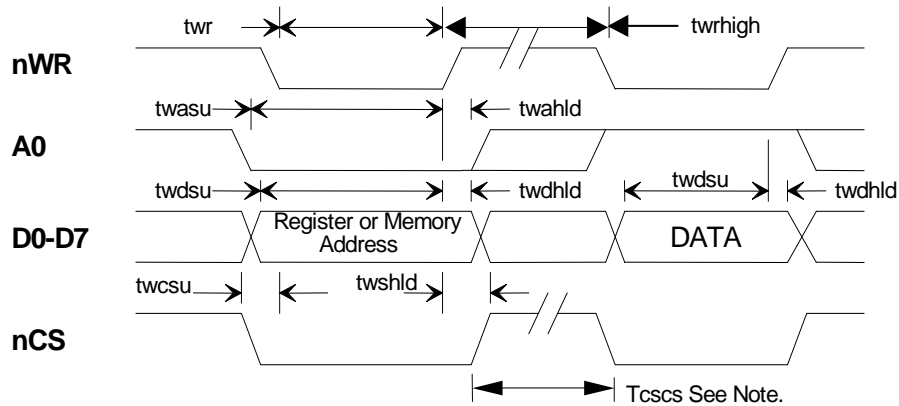
19. I_{CCsus2} measured with external Clock, PLL disabled, and Suspend set. For absolute minimum current consumption, ensure that all inputs to the device are at static logic level.

20. All typical values are V_{DD} = 3.3 V and T_{AMB} = 25°C.

21. Z_{USBX} impedance values includes an external resistor of 24 Ohms ± 1% (SL811HS revision 1.2 requires external resistor values of 33 Ohms ±1%).

Bus Interface Timing Requirements

I/O Write Cycle

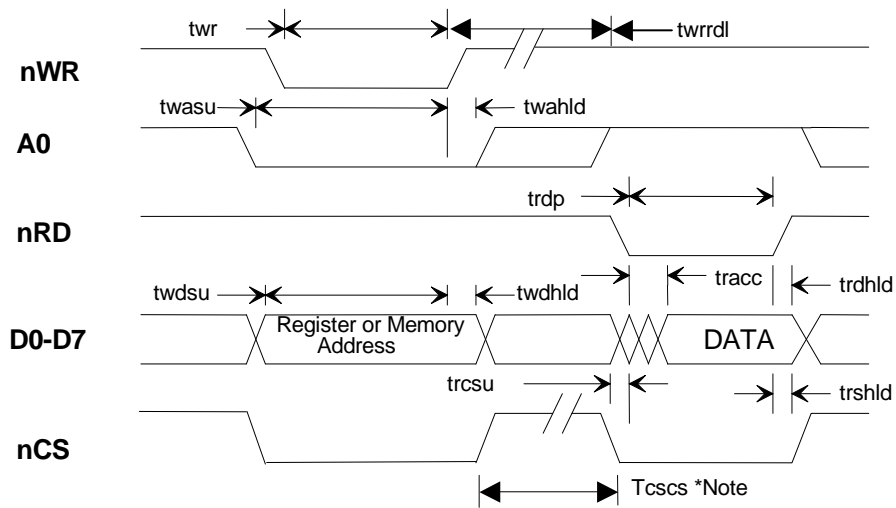


I/O Write Cycle to Register or Memory Buffer

| Parameter | Description | Min | Typ | Max |
|--------------|--------------------------------------|-------|-----|-----|
| t_{WR} | Write pulse width | 85 ns | | |
| t_{WCSU} | Chip select set-up to nWR LOW | 0 ns | | |
| t_{WSHLD} | Chip select hold time After nWR HIGH | 0 ns | | |
| t_{WASU} | A0 address set-up time | 85 ns | | |
| t_{WAHLD} | A0 address hold time | 10 ns | | |
| t_{WDSU} | Data to Write HIGH set-up time | 85 ns | | |
| t_{WDHLD} | Data hold time after Write HIGH | 5 ns | | |
| t_{CSCS} | nCS inactive to nCS* asserted | 85 ns | | |
| t_{WRHIGH} | NWR HIGH | 85 ns | | |

Note nCS can be held LOW for multiple Write cycles provided nWR is cycled. Write Cycle Time for Auto Inc Mode Writes is 170 ns minimum.

I/O Read Cycle

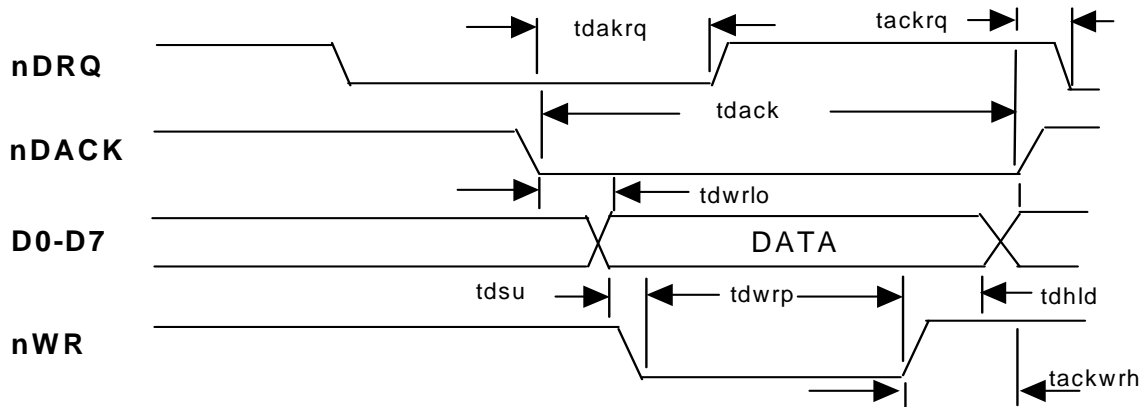


I/O Read Cycle from Register or Memory Buffer

| Parameter | Description | Min | Typ | Max |
|---------------------|---------------------------------|-------|-----|-------|
| t _{WR} | Write pulse width | 85 ns | | |
| t _{RD} | Read pulse width | 85 ns | | |
| t _{WCSU} | Chip select set-up to nWR | 0 ns | | |
| t _{WASU} | A0 address set-up time | 85 ns | | |
| t _{WAHLD} | A0 address hold time | 10 ns | | |
| t _{WDSU} | Data to Write HIGH set-up time | 85 ns | | |
| t _{WDHLD} | Data hold time after Write HIGH | 5 ns | | |
| t _{RACC} | Data valid after Read LOW | 25 ns | | 85 ns |
| t _{RDHLD} | Data hold after Read HIGH | 40 ns | | |
| t _{RCSU} | Chip select LOW to Read LOW | 0 ns | | |
| t _{RSHLD} | NCS hold after Read HIGH | 0 ns | | |
| T _{CSCS} * | nCS inactive to nCS *asserted | 85 ns | | |
| t _{WRRDL} | nWR HIGH to nRD LOW | 85ns | | |

Note nCS can be kept LOW during multiple Read cycles provided nRD is cycled. Rd Cycle Time for Auto Inc Mode Reads is 170 ns minimum.

DMA Write Cycle

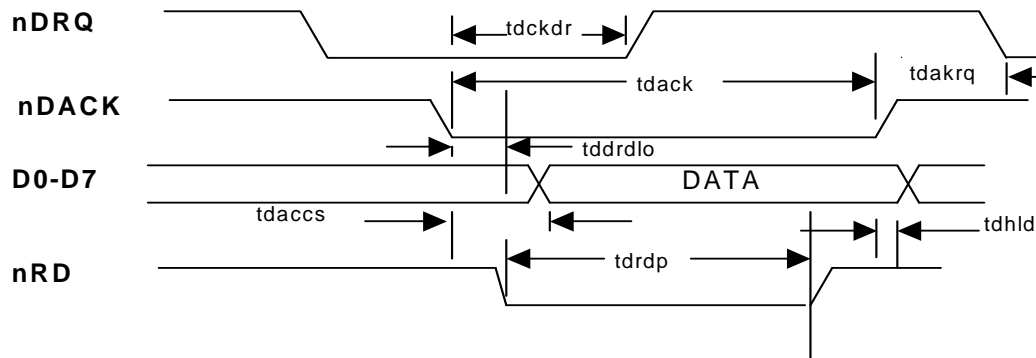


DMA Write Cycle

| Parameter | Description | Min | Typ | Max |
|-----------|-------------------------------|--------|-----|-----|
| tdack | nDACK low | 80 ns | | |
| tdwrlo | nDACK to nWR low delay | 5 ns | | |
| tdakrq | nDACK low to nDRQ high delay | 5 ns | | |
| tdwrp | nWR pulse width | 65 ns | | |
| tdhld | Data hold after nWR high | 5 ns | | |
| tdsu | Data set-up to nWR strobe low | 60 ns | | |
| tackrq | NDACK high to nDRQ low | 5 ns | | |
| tackwrh | NDACK high to nDRQ low | 5 ns | | |
| twrcycle | DMA Write Cycle Time | 150 ns | | |

Note nWR must go low after nDACK goes low in order for nDRQ to clear. If this sequence is not implemented as requested, the next nDRQ is not inserted.

DMA Read Cycle

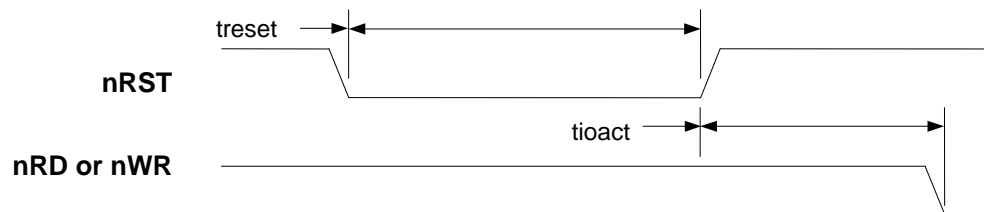


SL811 DMA Read Cycle Timing

| Parameter | Description | Min | Typ | Max |
|-----------|------------------------------|--------|-----|-----|
| tdack | nDACK low | 100 ns | | |
| tddrdlo | nDACK to nRD low delay | 0 ns | | |
| tdckdr | nDACK low to nDRQ high delay | 5 ns | | |
| tdrdp | nRD pulse width | 90 ns | | |
| tdhld | Date hold after nDACK high | 5 ns | | |
| tddacss | Data access from nDACK low | 85 ns | | |
| tdrdack | nRD high to nDACK high | 0 ns | | |
| tdakrq | nDRQ low after nDACK high | 5 ns | | |
| trdcycle | DMA Read Cycle Time | 150 ns | | |

Note Data is held until nDACK goes high regardless of state of nRD.

Reset Timing

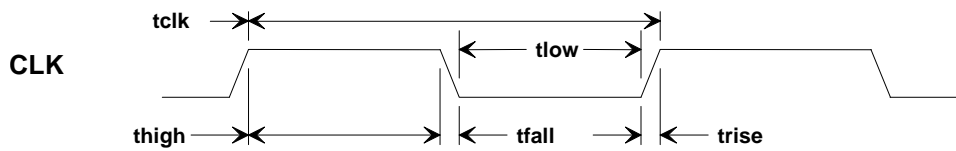


Reset Timing

| Parameter | Description | Min | Typ | Max |
|--------------------|--------------------------------|-----------|-----|-----|
| t _{RESET} | nRst Pulse width | 16 clocks | | |
| t _{IOACT} | nRst HIGH to nRD or nWR active | 16 clocks | | |

Note Clock is 48 MHz nominal.

Clock Timing Specifications



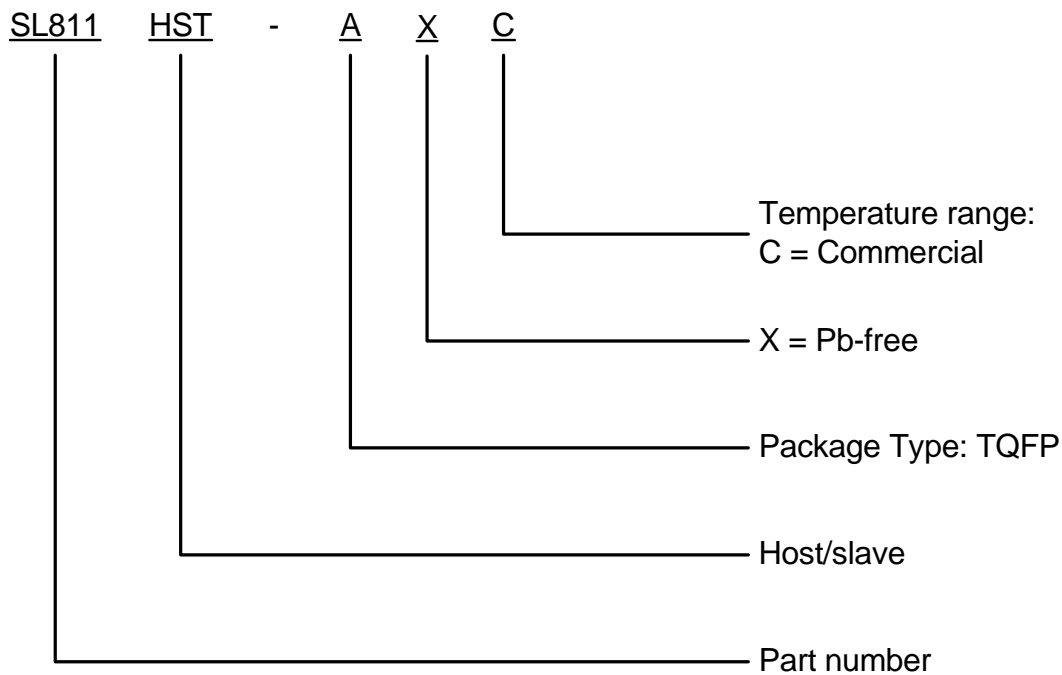
Clock Timing

| Parameter | Description | Min | Typ | Max |
|-------------------|-----------------------|---------|---------|--------|
| t _{CLK} | Clock Period (48 MHz) | 20.0 ns | 20.8 ns | |
| t _{HIGH} | Clock HIGH Time | 9 ns | | 11 ns |
| t _{LOW} | Clock LOW Time | 9 ns | | 11 ns |
| t _{RISE} | Clock Rise Time | | | 5.0 ns |
| t _{FALL} | Clock Fall Time | | | 5.0 ns |
| | Clock Duty Cycle | 45% | | 55% |

Ordering Information

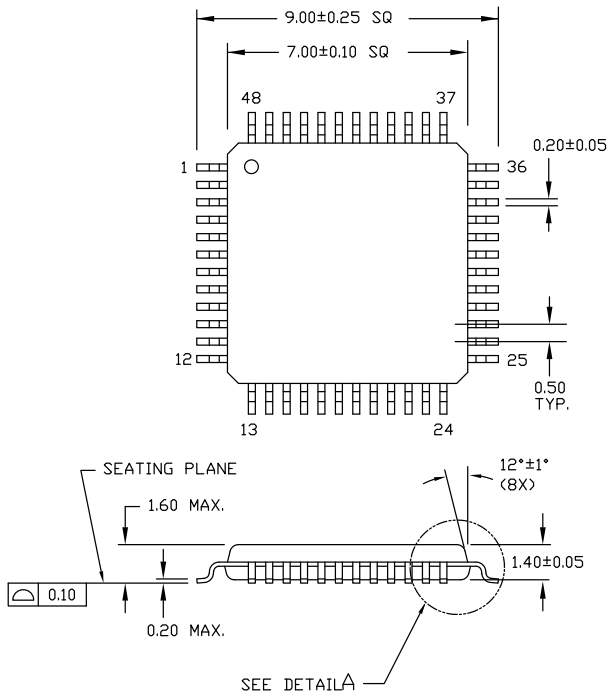
| Part Number | Package Type | |
|--------------|----------------|---|
| SL811HST-AXC | 48-pin Pb-free | - |

Ordering Code Definitions

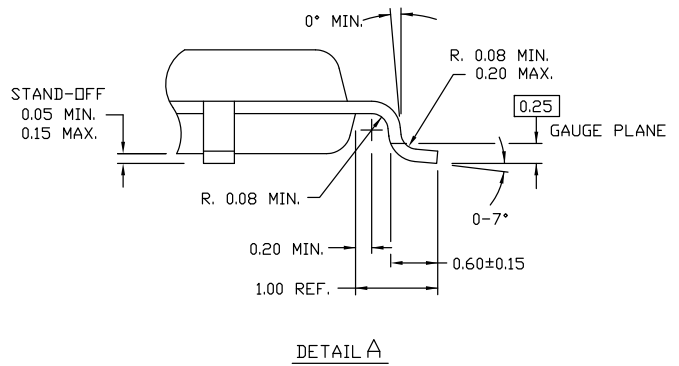


Package Diagram

Figure 7. 48-pin TQFP (7 × 7 × 1.4 mm) Package Outline, 51-85135



DIMENSIONS ARE IN MILLIMETERS



51-85135 *C

Acronyms

Table 35. Acronyms Used in this Document

| Acronym | Description |
|---------|---|
| CMOS | Complementary Metal Oxide Semiconductor |
| CPU | Central Processing Unit |
| CRC | Cyclical Redundancy Check |
| DMA | Direct Memory Access |
| DPLL | Dynamic Phase Locked Loop |
| I/O | Input Output |
| PCMCIA | Personal Computer Memory Card International Association |
| RAM | Random Access Memory |
| SIE | Serial Interface Engine |
| SOF | Start of Frame |
| SRAM | Static Random Access Memory |
| USB | Universal Serial Bus |

Document Conventions

Units of Measure

Table 36. Units of Measure

| Symbol | Unit of Measure |
|--------|------------------------|
| mA | milliampere |
| Mbps | megabits per second |
| MHz | megahertz |
| mV | millivolt |
| mW | milliwatt |
| ns | nanosecond |
| ppm | parts per million |
| pF | picofarad |
| V | volt |
| VDC | volts (direct current) |

Errata

This section describes the errata for the SL811HS. Details include errata trigger conditions, available workaround, and silicon revision applicability.

Contact your local Cypress Sales Representative if you have questions.

Part Numbers Affected

| Part Number | Package Type | Operating Range |
|-------------|--------------|-----------------|
| SL811HS | All | Commercial |

SL811HS/SL811 Qualification Status

Product status: In production - Qual Report: 014401

SL811HS/SL811 Errata Summary

The following table defines the errata applicability to available SL811HS/SL811 family of devices.

Note Errata titles in this table are hyperlinked. Click an entry to go to its description.

| Items | SL811HS/SL811S | Rev Letter/Number | Fix Status |
|---|----------------|-------------------|----------------|
| 1. Host Mode: SE0 problem in low-speed hub operation | X | 1.5 | Use workaround |
| 2. Host Mode: Sync to SOF does not apply to low-speed mode | X | 1.5 | Use workaround |
| 3. Host/Peripheral Mode: 12 MHz operation with sensitive internal PLL | X | 1.5 | Use workaround |
| 4. Peripheral Mode: Unreliable DMA interface | X | 1.5 | Use workaround |
| 5. Peripheral Mode: SL811HS can miss packets in a noisy environment | X | 1.5 | Use workaround |
| 6. Host/Peripheral Mode: Auto-increment feature results in corrupt data | X | 1.5 | Use workaround |

1. Host Mode: SE0 problem in low-speed hub operation

■ Problem Definition

Some hubs that send SE0s upstream during the EOF1 time frame may cause the SL811HS to stop sending SOFs. This problem occurs when operating with low-speed devices attached downstream of such a hub. This is not a problem with full-speed devices. According to the USB Specification, hubs are permitted to transmit SE0s during the EOF1 time frame. This is done to eliminate potential babble conditions on the bus and is an optional feature implemented in some hubs.

■ Parameters Affected

SOFs

■ Trigger Condition(S)

Attaching hub that sends SE0s upstream during the EOF1 time frame.

■ Scope of Impact

The SL811HS can not host a low-speed device downstream of a hub that generates SE0s during EOF1.

■ Workaround

The only complete workaround is to use a hub that does not transmit SE0s upstream during EOF1. Some hubs, including all Cypress hubs, have the option to disable SE0s from being generated during EOF1.

For a list of hubs that do not generate SE0s upstream during EOF1, or for more information on disabling this feature in Cypress hubs, contact Cypress USB support.

■ Fix Status

Use workaround.

2. Host Mode: Sync to SOF does not apply to low-speed mode

■ Problem Definition

The SYNC to SOF bit (bit 5) of the USB Host Control Registers [00H, 08H], is only designed for full-speed support. However, all other full-speed SOF bits and registers do apply to low-speed EOPs as well. In full-speed mode, this bit should only be used when the software cannot fit a packet within the remaining 1 ms frame. Setting this bit automatically delays sending the packet until the next SOF.

■ Parameters Affected

SYNC to SOF

■ Trigger Condition(S)

Full-speed support.

■ Scope of Impact

If the SOF bit is set when operating in low-speed mode, packets may not get sent from the SL811HS.

■ Workaround

Do not set the SOF bit when operating in low-speed mode. Instead, if a packet does not fit within the remaining 1 ms frame, firmware needs to delay sending it until after the next EOP. Using a simple delay loop or using the SOF timer interrupt (also EOP timer interrupt in low-speed mode) are two possible ways of doing this.

■ Fix Status

Use workaround.

3. Host/Peripheral Mode: 12 MHz operation with sensitive internal PLL

■ Problem Definition

The internal PLL is very sensitive. The PLL causes any high frequency noise on the V_{DD} pins to result in clock jitter.

■ Parameters Affected

USB data signaling at full-speed and improper timing of SOF packets.

■ Trigger Condition(S)

Operation at 12 MHz with high frequency noise on the V_{DD} pins.

■ Scope of Impact

When operating the SL811HS at 12 MHz, high frequency noise on the V_{DD} pins can result in clock jitter. The clock jitter results in different symptoms depending on the severity of the jitter. Most notable is improper USB data signaling at full speed and improper timing of SOF packets.

■ Workaround

The best workaround is to use 48 MHz to eliminate using the PLL. If 12 MHz is required, take these steps to reduce any jitter output of the PLL.

1. Reduce high frequency noise on all SL811HS V_{DD} pins. This can be accomplished by adding proper decoupling capacitors directly on the V_{DD} pins. The value of 0.1 μ F can be too large, depending on the inductivity of the traces on the PCB; experiment with values of 0.01 μ F or even 1000 pF. In addition, ceramic capacitors are recommended.

2. Use a 12 MHz oscillator instead of a crystal. An oscillator produces much sharper edge rates, which allow more tolerance for jitter.

3. Careful layout can minimize this PLL jitter significantly:

- a. Use the shortest traces possible for decoupling capacitors.
- b. Use ground and VCC planes.

■ Fix Status

Use workaround.

4. Peripheral Mode: Unreliable DMA interface

■ Problem Definition

The DMA interface can be unreliable in slave mode.

■ Parameters Affected

DMA transfers to or from the SL811HS internal RAM.

■ Trigger Condition(S)

Use of the DMA interface to move data to or from SL811HS internal RAM.

■ Scope of Impact

When performing DMA writes, data may get corrupted. This problem has only been seen for DMA write operations, but can also occur for read operations as well.

■ Workaround

Use the standard Data Port interface instead of the DMA interface for writing to or reading from the SL811HS RAM space. The DMA interface is not a recommended interface for the SL811HS due to this issue.

■ Fix Status

Use workaround.

5. Peripheral Mode: SL811HS can miss packets in a noisy environment

■ Problem Definition

In a noisy environment, the SL811HS has the potential to occasionally miss a packet. Occasionally missed packets are anticipated and dealt with in USB 2.0 Specification Section 10.2.6, where the following applies "It is recommended that the error count not be incremented when there is an error due to host specific reasons (buffer underrun or overrun), and that whenever a transaction does not encounter a transmission error, the error count be reset to zero." In other words if an individual packet is missed and the next packet is processed properly, the recommendation is that the error counter be reset to '0'. When drivers are written with this in mind, they can avoid issues that cause the transfer to be retired due to three errors in a transaction.

■ Parameters Affected

Error count.

■ Trigger Condition(S)

Electrically noisy environments.

■ Scope of Impact

If the SL811HS is used in an electrically noisy environment that may corrupt three requests within that transaction, the transaction will be retired by the host.

■ Workaround

1) The workaround for this issue is to write the driver according to the guidelines specified in section 10.2.6 of the USB 2.0 Specification, to prevent the driver from retrying the transfer.

2) Board layout is the major reason for electrical noise that can aggravate this issue. When doing layout for the USB chip, use guidelines provided in a Cypress application note titled, [High-speed USB PCB Layout Recommendations](#) found on the Cypress web site.

■ Fix Status

Use workaround.

6. Host/Peripheral Mode: Auto-increment feature results in corrupt data

■ **Problem Definition**

The SL811HS has a feature called auto-increment used to read or write blocks of the data buffer. This feature is used to speed up the time it takes to write blocks of data because an address location write is not required between data writes or reads. In some cases, the auto-increment feature can intermittently fail, causing the RAM location to be corrupted or the read buffer to provide incorrect data to the system processor. This type of error is very infrequent.

■ **Parameters Affected**

Any RAM location where auto-increment feature is used to access data. This includes both register and buffer space.

■ **Trigger Condition(S)**

Use of the auto-increment feature.

■ **Scope of Impact**

When using the auto-increment feature for writes or reads, it is possible for the data to become corrupt. The following table demonstrates a typical error when it occurs. The error condition is shown in red.

If an error occurs during writes using auto-increment, an address location can be written with the value of the previous address; each subsequent write will also be incorrect until the end of the block write. In the following example, note that the value of 0x01 from address 0x11 is incorrectly written to address 0x12 instead of the expected value of 0x02. After this error, the write to each subsequent address is also incorrectly written with the value that was intended to be in the previous address location.

If an error occurs during a read using auto-increment, a single location can be incorrectly read as the previous addresses value. If the data is read again, it will show that the data in RAM is correct.

| Auto-increment error during a write | | | | | | | | |
|-------------------------------------|------|------|------|------|------|-------|------|------|
| Address | 0x10 | 0x11 | 0x12 | 0x13 | 0x14 | | 0x1E | 0x1F |
| Data intended to be written to RAM | 0x00 | 0x01 | 0x02 | 0x03 | 0x04 | | 0x0E | 0x0F |
| Data actually written to RAM | 0x00 | 0x01 | 0x01 | 0x02 | 0x03 | | 0x0D | 0x0E |
| Auto-increment error during a read | | | | | | | | |
| Address | 0x10 | 0x11 | 0x12 | 0x13 | 0x14 | | 0x1E | 0x1F |
| Data actually in RAM | 0x00 | 0x01 | 0x02 | 0x03 | 0x04 | | 0x0E | 0x0F |
| Data read back from RAM | 0x00 | 0x01 | 0x01 | 0x03 | 0x04 | | 0x0E | 0x0F |

■ **Workaround**

The easiest way to work around this issue is to not use the auto-increment feature. This affects performance because the address must be written prior to each write or read.

■ **Fix Status**

Use workaround.

Document History Page

| Document Title: SL811HS, Embedded USB Host/Slave Controller Document Number: 38-08008 | | | | |
|--|---------|-----------------|-----------------|--|
| Revision | ECN | Submission Date | Orig. of Change | Description of Change |
| ** | 110850 | 12/14/01 | BHA | Converted to Cypress format from ScanLogic |
| *A | 112687 | 03/22/02 | MUL | 1) Changed power supply voltage to 4.0 V in section 7.1 2) Changed value of twdsu in section 7.6.2 3) Changed max. power supply voltage to 3.45 V in section 7.2 4) Changed accuracy of adjustment in section 7.2 5) Changed bits 0 and 1 to reserved in section 5.3.8 6) Changed bit 2 to reserved in section 5.3.5 and 5.3.7 7) Changed bit 2 to reserved in section 5.3.1 8) Changed definition of bit 6 in section 5.3.5 & 5.3.7 9) Added section 5.1, Register Values on Power-up and Reset 10) Changed bit description notes in section 5.3.7 11) Changed note about series termination resistors in section 7.5 12) Changed example in section 5.3.9 13) Changed J-K Programming States table in section 5.3.2 14) Added and removed comments for low-power modes in section 5.3.4 15) Removed sections specific to slave operation and SL11H 16) Removed duplicate tables 17) General formatting changes to section headings 18) Fixed all part number references 19) Added comments to section 7.5 and new definitions to section 2.0 |
| *B | 381894 | See ECN | VCS | Went from single column to 2-column format. Combined information from SL811HS (38-08008) and SL811S/T (83-08009) |
| *C | 464641 | See ECN | ARI | Added lead free part numbers to new section Ordering Information and corrected references made to these parts. Corrected grammar. Added compliance statement in section USB Host Transceiver Characteristics . |
| *D | 749518 | See ECN | ARI | Implemented the new template. Changed Figure 4. Labels on pins 2 and 3 were swapped; this has been corrected. Combined the 48-pin TQFP AXC Pin Assignment and Definition table with the 28-pin PLCC Pin Assignment and Definition table. Removed all instances of SL811HST-AC. Corrected the variables. Removed references to the obsolete SL11H. |
| *E | 2914091 | 04/15/2010 | VRD | Removed inactive parts from Ordering Information. Updated Packaging Information. |
| *F | 3202147 | 03/22/11 | ODC | Template and style updates. Added ordering code definitions, acroyms and units of measure. Updated table titles and references. Removed all references to 28-pin PLCC Package information as the package is no longer offered. Removed figure "Package Markings (28-pin PLCC)" on page 21 as it refers the PLCC package. Removed figure "48-Pin TQFP Mechanical Dimensions" as this is a duplicate of the Package diagram later in the spec on page 31. |

Document History Page (continued)

| Document Title: SL811HS, Embedded USB Host/Slave Controller Document Number: 38-08008 | | | | |
|--|---------|-----------------|-----------------|---|
| Revision | ECN | Submission Date | Orig. of Change | Description of Change |
| *G | 3999512 | 07/26/2013 | PRVE | <p>Added Errata footnote (Note 1, 2, 3, 4, 6, 7).</p> <p>Updated Functional Overview: Updated Data Port, Microprocessor Interface: Added Note 1 and referred the same note in "SL811HS". Added Note 2 and referred the same note in "DMA bidirectional interface in slave mode".</p> <p>Updated Buffer Memory: Updated Auto Address Increment Mode [3] Added Note 3 and referred the same note in the heading.</p> <p>Updated PLL Clock Generator: Added Note 4 and referred the same note in "12 MHz".</p> <p>Updated USB Transceiver: Added Note 6 and referred the same note in "full speed". Added Note 7 and referred the same note in "low speed".</p> <p>Added Errata.</p> <p>Updated to new template.</p> |
| *H | 4346004 | 04/14/2014 | PRVE | <p>Updated Package Diagram: spec 51-85135 – Changed revision from *B to *C. Completing Sunset Review.</p> |
| *I | 5725314 | 05/03/2017 | PRVE | <p>Updated to new template. Completing Sunset Review.</p> |

Sales, Solutions, and Legal Information

Worldwide Sales and Design Support

Cypress maintains a worldwide network of offices, solution centers, manufacturer's representatives, and distributors. To find the office closest to you, visit us at [Cypress Locations](#).

Products

| | |
|-------------------------------|--|
| ARM® Cortex® Microcontrollers | cypress.com/arm |
| Automotive | cypress.com/automotive |
| Clocks & Buffers | cypress.com/clocks |
| Interface | cypress.com/interface |
| Internet of Things | cypress.com/iot |
| Memory | cypress.com/memory |
| Microcontrollers | cypress.com/mcu |
| PSoC | cypress.com/psoc |
| Power Management ICs | cypress.com/pmic |
| Touch Sensing | cypress.com/touch |
| USB Controllers | cypress.com/usb |
| Wireless Connectivity | cypress.com/wireless |

PSoC® Solutions

[PSoC 1](#) | [PSoC 3](#) | [PSoC 4](#) | [PSoC 5LP](#)

Cypress Developer Community

[Forums](#) | [WICED IOT Forums](#) | [Projects](#) | [Video](#) | [Blogs](#) | [Training](#) | [Components](#)

Technical Support

cypress.com/support

© Cypress Semiconductor Corporation, 2001–2017. This document is the property of Cypress Semiconductor Corporation and its subsidiaries, including Spansion LLC ("Cypress"). This document, including any software or firmware included or referenced in this document ("Software"), is owned by Cypress under the intellectual property laws and treaties of the United States and other countries worldwide. Cypress reserves all rights under such laws and treaties and does not, except as specifically stated in this paragraph, grant any license under its patents, copyrights, trademarks, or other intellectual property rights. If the Software is not accompanied by a license agreement and you do not otherwise have a written agreement with Cypress governing the use of the Software, then Cypress hereby grants you a personal, non-exclusive, nontransferable license (without the right to sublicense) (1) under its copyright rights in the Software (a) for Software provided in source code form, to modify and reproduce the Software solely for use with Cypress hardware products, only internally within your organization, and (b) to distribute the Software in binary code form externally to end users (either directly or indirectly through resellers and distributors), solely for use on Cypress hardware product units, and (2) under those claims of Cypress's patents that are infringed by the Software (as provided by Cypress, unmodified) to make, use, distribute, and import the Software solely for use with Cypress hardware products. Any other use, reproduction, modification, translation, or compilation of the Software is prohibited.

TO THE EXTENT PERMITTED BY APPLICABLE LAW, CYPRESS MAKES NO WARRANTY OF ANY KIND, EXPRESS OR IMPLIED, WITH REGARD TO THIS DOCUMENT OR ANY SOFTWARE OR ACCOMPANYING HARDWARE, INCLUDING, BUT NOT LIMITED TO, THE IMPLIED WARRANTIES OF MERCHANTABILITY AND FITNESS FOR A PARTICULAR PURPOSE. To the extent permitted by applicable law, Cypress reserves the right to make changes to this document without further notice. Cypress does not assume any liability arising out of the application or use of any product or circuit described in this document. Any information provided in this document, including any sample design information or programming code, is provided only for reference purposes. It is the responsibility of the user of this document to properly design, program, and test the functionality and safety of any application made of this information and any resulting product. Cypress products are not designed, intended, or authorized for use as critical components in systems designed or intended for the operation of weapons, weapons systems, nuclear installations, life-support devices or systems, other medical devices or systems (including resuscitation equipment and surgical implants), pollution control or hazardous substances management, or other uses where the failure of the device or system could cause personal injury, death, or property damage ("Unintended Uses"). A critical component is any component of a device or system whose failure to perform can be reasonably expected to cause the failure of the device or system, or to affect its safety or effectiveness. Cypress is not liable, in whole or in part, and you shall and hereby do release Cypress from any claim, damage, or other liability arising from or related to all Unintended Uses of Cypress products. You shall indemnify and hold Cypress harmless from and against all claims, costs, damages, and other liabilities, including claims for personal injury or death, arising from or related to any Unintended Uses of Cypress products.

Cypress, the Cypress logo, Spansion, the Spansion logo, and combinations thereof, WICED, PSoC, CapSense, EZ-USB, F-RAM, and Traveo are trademarks or registered trademarks of Cypress in the United States and other countries. For a more complete list of Cypress trademarks, visit cypress.com. Other names and brands may be claimed as property of their respective owners.