

BL05-K LED STICK

MAGNETIC MOUNT

wamco[™]
LIGHTING

INTRODUCTION

Wamco LED Stick series BL05-K is an LED illumination system for interior lighting applications. The BL05-K has 3 CCT options: 3000K, 4000K, 5700K and two standard sizes: 300mm and 1200mm. BL05-K has uniform lighting and can be installed to any steel surface for temporary or permanent use. BL05-K provides many advantages including brilliant light output, significant energy savings, reduced maintenance costs, and easy installation.

FEATURES

- Uniform lighting similar to Florescent tubes
- Simple and quick installation via integrated magnets
- Easy connection between each unit
- 3 Color Temperature options (3000K / 4000K / 5700K)
- 2 standard sizes (300mm / 1200mm)
- High Efficiency (105 lm/W at 5700k)
- Long life time (more than 50,000 hours at L70)
- Safety due to low working voltage (24VDC)
- 3 year warranty

APPLICATIONS

- Path and Cove Lighting
- Shelf Lighting and Interior Decorations
- Metal cabinet interior lighting

CERTIFICATIONS

- CE, RoHS



SPECIFICATIONS

MODEL	CCT	LUM. EFFICACY	LED QUANTITY	INPUT VOL.	POWER	VIEW ANGLE	LUM.FLUX	CRI
WL-B05K04L0300	3000K	92 lm/W	35 pieces	24VDC	4.2W	130°	386lm	Ra80↑
WL-B05K04N0300	4000K	102 lm/W	35 pieces	24VDC	4.2W	130°	428lm	Ra80↑
WL-B05K04W0300	5700K	105 lm/W	35 pieces	24VDC	4.2W	130°	441lm	Ra80↑
WL-B05K17L1200	3000K	92 lm/W	140 pieces	24VDC	16.8W	130°	1536lm	Ra80↑
WL-B05K17N1200	4000K	102 lm/W	140 pieces	24VDC	16.8W	130°	1715lm	Ra80↑
WL-B05K17W1200	5700K	105 lm/W	140 pieces	24VDC	16.8W	130°	1749lm	Ra80↑

CALL
1-714-545-5560

FAX
1-714-545-6093

VISIT
W: WWW.WAMCOINC.COM

EMAIL
E: INFO@WAMCOINC.COM

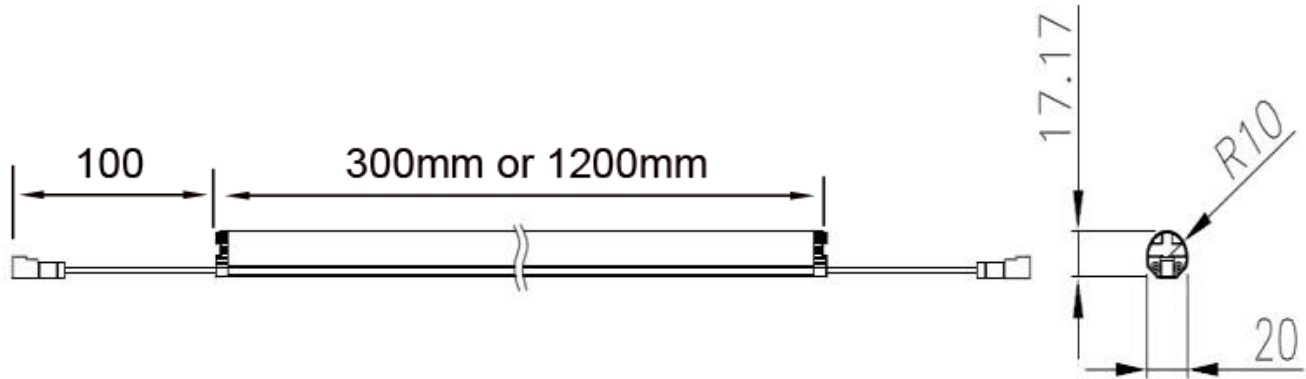
BL05-K LED STICK

MAGNETIC MOUNT

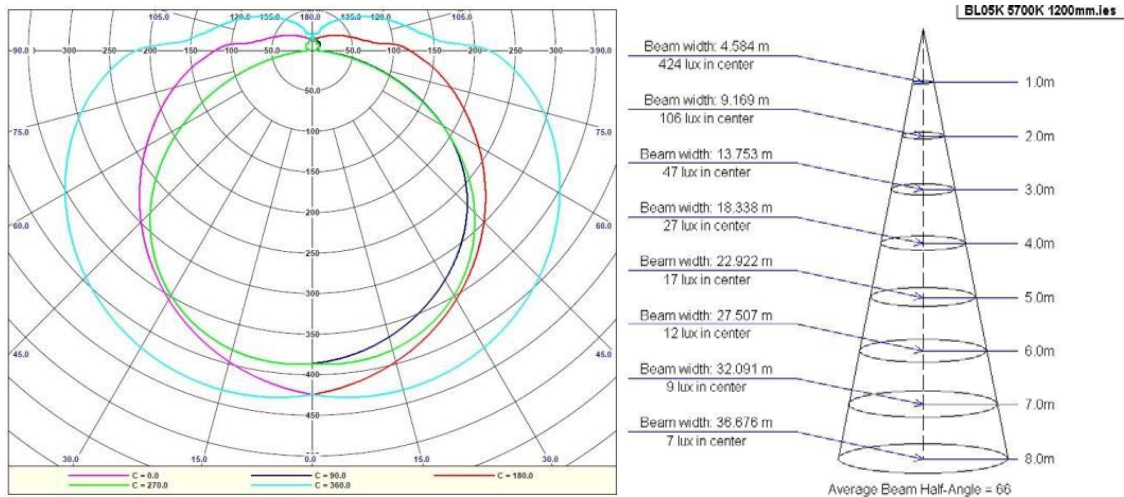
wamco
LIGHTING

PHYSICAL DIMENSIONS (unit: mm)

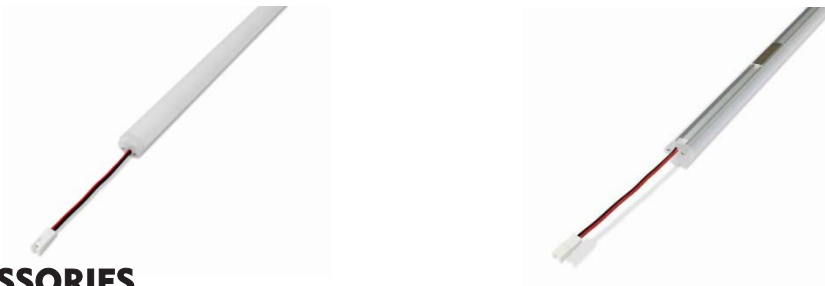
Standard Length: 300mm/1200mm



LIGHT DISTRIBUTION



APPEARANCE



NOTES/ ACCESSORIES

- Input power cable part number WL-B05K-LC01 sold separately
- Steel mounting plates may be used to install units to non-magnetic surfaces such as wood or aluminum. Part number WL-B05K-MP01 sold separately.

CALL
1-714-545-5560

FAX
1-714-545-6093

VISIT
W: WWW.WAMCOINC.COM

EMAIL
E: INFO@WAMCOINC.COM